

# SUBMERSIBLE MOTOR CONTROLS

## HP MODELS

Pentair Pentek® offers a full range of 1/2 - 15 HP models that are interchangeable with existing motor controls for Capacitor Start/Induction Run (CSIR) and Capacitor Start/Capacitor Run (CSCR) applications. Pentair Pentek is the professional choice in harsh and high temperature installations.

### APPLICATIONS

Water systems for residential, commercial, multiple housing, and farm uses, where a submersible 3-wire motor is used.

### FEATURES

#### ENCLOSURE:

- ◆ **Rugged NEMA 3R enclosure:** Suitable for indoor/outdoor use.
- ◆ **HardBond™ Finish:** 5-times more corrosion-resistant.
- ◆ **Multiple-size Electrical Knockouts.**

#### INTERNALS:

- ◆ **High-Load Voltage Relay.**
- ◆ **Heavy-Duty Contacts.**
- ◆ **External Access to Overload Reset CSCR.**
- ◆ **Heavy-Duty Terminal Connectors :** Suitable for up to #4 AWG wire.
- ◆ **Industry Standard Wiring Connections:** Easy-to-read wiring diagrams.
- ◆ **Agency Approvals:** UL 778 and CUL Recognized (60 Hz).



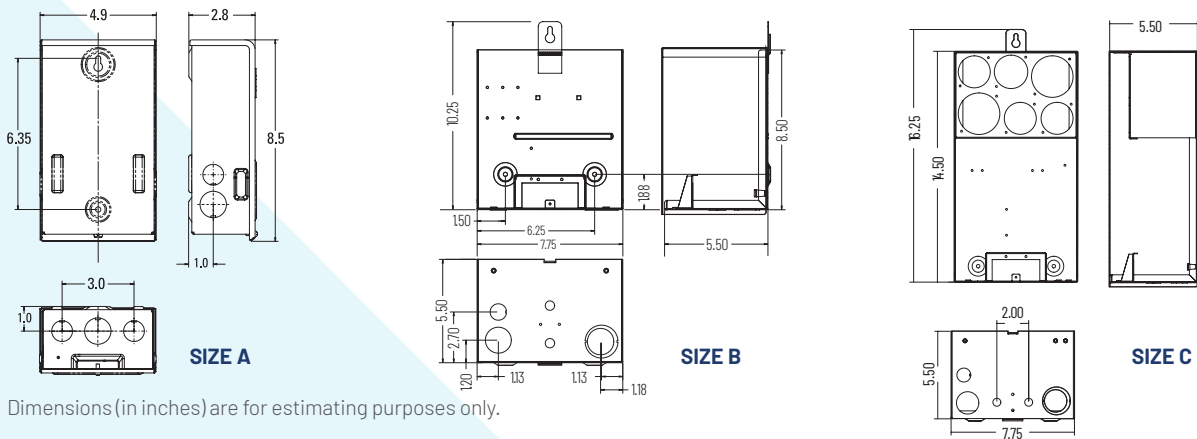
# PENTEK HP MODELS SUBMERSIBLE MOTOR CONTROLS

## ORDERING INFORMATION

HP	KW	PH	VOLTS	60 HZ CATALOG NUMBER	50 HZ CATALOG NUMBER	WEIGHT		ENCLOSURE SIZE
						LBS	KG	
<b>CSIR – Capacitor Start/Induction Run</b>								
1/2	0.37	1	115	SMC-IR0511(-6pk)*	-	4	1.8	A
1/2	0.37	1	230	SMC-IR0521(-6pk)*	-	4	1.8	A
3/4	0.55	1	230	SMC-IR0721(-6pk)*	-	4	1.8	A
1	0.75	1	230	SMC-IR1021(-6pk)*	-	4	1.8	A
<b>CSCR – Capacitor Start/Capacitor Run</b>								
1/2	0.37	1	230	SMC-CR0521(-6pk)*	SMC5-CR0521	5	2.3	A
3/4	0.55	1	230	SMC-CR0721(-6pk)*	SMC5-CR0721	5	2.3	A
1	0.75	1	230	SMC-CR1021(-6pk)*	SMC5-CR1021	5	2.3	A
1-1/2	1.1	1	230	SMC-CR1521	SMC5-CR1521	7	3.2	B
2	1.5	1	230	SMC-CR2021	SMC5-CR2021	7	3.2	B
3	2.2	1	230	SMC-CR3021	SMC5-CR3021	7	3.2	B
7-1/2	5.5	1	230	SMC-CR7521	-	12	5.4	C
10	7.5	1	230	SMC-CR10021	-	14	6.4	C
<b>CSCR PLUS – Capacitor Start/Capacitor Run PLUS Magnetic Contactor</b>								
2	1.5	1	230	SMC-CRP2021	SMC5-CRP2021	7	3.2	B
3	2.2	1	230	SMC-CRP3021	SMC5-CRP3021	8	3.6	B
5	3.7	1	230	SMC-CRP5021	SMC5-CRP5021	12	5.4	C
7-1/2	5.5	1	230	SMC-CRP7521	-	14	6.4	C
10	7.5	1	230	SMC-CRP10021	-	15	6.8	C
15	11	1	230	SMC-CRP15021	-	17	7.7	C

\* Submersible Motor Controls are available in single and six packs. Include the suffix "-6pk" after the catalog number if 6 packs are required

## OUTLINE DIMENSIONS



Dimensions (in inches) are for estimating purposes only.



293 Wright Street  
Delavan, WI 53115  
Ph: 866.973.6835  
Fx: 800.426.9446

490 Pinebush Rd., Unit 4  
Cambridge, Ontario  
Canada N1T 0A5  
Ph: 800.363.7867  
Fx: 888.606.5484

pentair.com

All indicated Pentair trademarks and logos are property of Pentair. Third party registered and unregistered trademarks and logos are the property of their respective owners. Because we are continuously improving our products and services, Pentair reserves the right to change specifications without prior notice. Pentair is an equal opportunity employer.

HardBond™ is a registered trademark of AllSource Supply, Inc.

©2022 Pentair. All Rights Reserved.

P8114WS (12-15-22)