

# SUBMERSIBLE HIGH HEAD SEWAGE EJECTOR PUMP

## MSKHS SERIES

The Myers MSKHS Series Submersible Sewage Ejector Pump is specifically designed to meet the demands of wastewater and sewage handling in residential and commercial building applications. The powerful motor is available in 1/2HP, 1-1/2HP, or 2HP while the pump itself comes standard with a 2" NPT discharge or an optional 3" discharge.

### APPLICATIONS

Residential and commercial sewage.

### FEATURES

- ◆ The MSKHS50 handles capacities up to 138 gallons per minute and heads to 45 feet, while the MSKHS100 handles capacities up to 138 gallons per minute and heads to 58 feet. The MSKHS150 handles capacities up to 138 gallons per minute and heads to 70 feet, while the MSKHS200 handles capacities up to 138 gallons per minute and heads to 80 feet.
- ◆ The MSKHS series feature a heavy duty cast iron construction that provides durability in rugged applications, as well as assisting in dissipating heat from the motor, for cooler operation.
- ◆ The MSKHS series two-vane, semi-open cast iron impeller, which is threaded to a stainless steel shaft, handles applications involving higher capacities and heads; and is capable of handling up to 2 inch spherical solids and lint.
- ◆ The MSKHS series also features a precision carbon and ceramic-faced mechanical shaft seal that is extensively lapped, providing for a long, leak proof life.
- ◆ The MSKHS series pumps have an oil-filled motor that provides superior cooling characteristics, allowing the motor to run cool and quiet for years. This oil-filled design also provides permanent lubrication of the shaft bearings, minimizing maintenance and extending the service life of the pump.
- ◆ To protect against overheating, single-phase motor windings contain an automatic reset thermal overload; three phase motors require a magnetic starter with overload protection located in the accessory control panel.

### SPECIFICATIONS

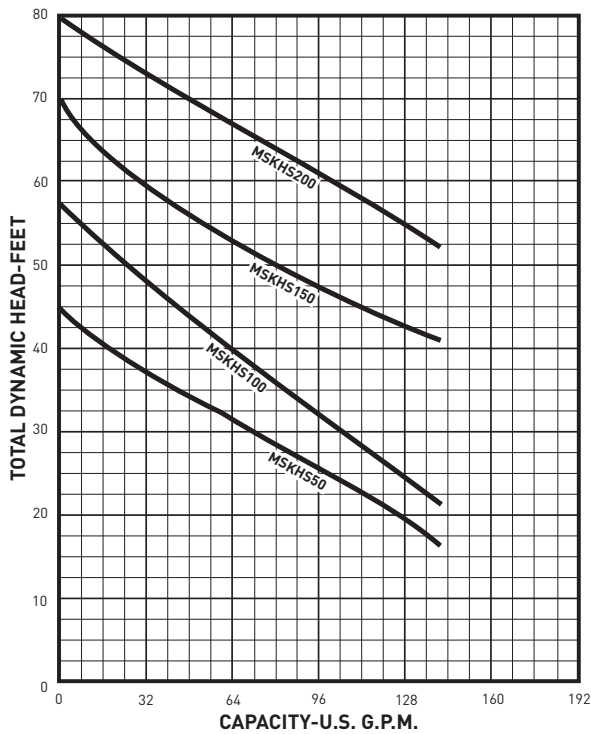
- ◆ **Power Cord:** Water-resistant with molded plug comes in 20 or 30 foot lengths
- ◆ **Available Horsepower:** 1/2, 1, 1-1/2, 2
- ◆ **Handle:** Steel
- ◆ **Lubricating Oil:** Dielectric oil
- ◆ **Motor Housing:** Cast iron
- ◆ **Pump Volute:** Cast iron
- ◆ **Shaft:** Stainless steel
- ◆ **Mechanical Shaft Seal:** Seal Faces = Carbon/Ceramic; Spring = Stainless steel; Bellows = Buna-N
- ◆ **Impeller:** Cast iron
- ◆ **Upper Bearing:** Single row ball bearing
- ◆ **Lower Bearing:** Single row ball bearing
- ◆ **Fastener:** Stainless steel



Tested & Certified to UL778  
and CSA 108.  
**3 Year Warranty**

# SUBMERSIBLE HIGH HEAD SEWAGE EJECTOR PUMP MSKHS SERIES

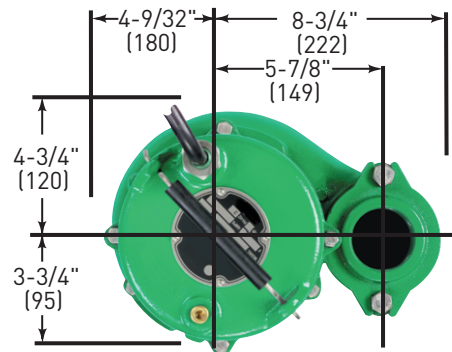
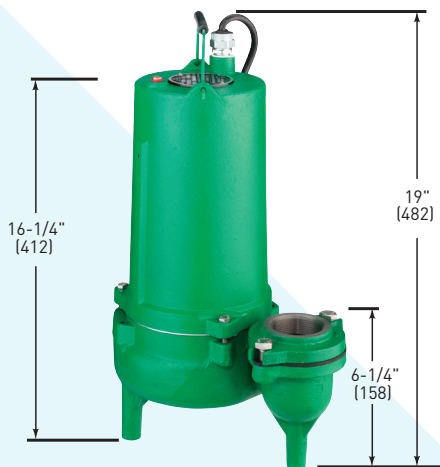
## PUMP PERFORMANCE



## PERFORMANCE DATA

| PUMP/MOTOR UNIT | SUBMERSIBLE   |      |      |     |     |     |
|-----------------|---|------|------|-----|-----|-----|
| <b>MODEL</b>    | <b>MSKHS50</b>                                      |      |      |     |     |     |
| Manual Models   | M1  | M2   | M6   | M3  | M4  | M5  |
| Horsepower      | 1/2   |      |      |     |     |     |
| Full Load Amps  | 14.2  | 8.3  | 6.6  | 6.0 | 3.0 | 2.4 |
| Motor Type      | Cap Start   |      |      | 3Ø  |     |     |
| <b>MODEL</b>    | <b>MSKHS100</b>                                     |      |      |     |     |     |
| Manual Models   | —   | M2   | M6   | M3  | M4  | M5  |
| Horsepower      | 1   |      |      |     |     |     |
| Full Load Amps  | —   | 11.4 | 8.8  | 8.0 | 4.0 | 3.2 |
| Motor Type      | Cap Start   |      |      | 3Ø  |     |     |
| <b>MODEL</b>    | <b>MSKHS150</b>                                     |      |      |     |     |     |
| Manual Models   | —   | M2   | M6   | M3  | M4  | M5  |
| Horsepower      | 1-1/2   |      |      |     |     |     |
| Full Load Amps  | —   | 13.9 | 8.5  | 7.6 | 3.9 | 3.1 |
| Motor Type      | Cap Start   |      |      | 3Ø  |     |     |
| <b>MODEL</b>    | <b>MSKHS200</b>                                     |      |      |     |     |     |
| Manual Models   | —   | M2   | M6   | M3  | M4  | M5  |
| Horsepower      | 2   |      |      |     |     |     |
| Full Load Amps  | —   | 18   | 10.4 | 9.2 | 4.6 | 3.7 |
| Motor Type      | Cap Start   |      |      | 3Ø  |     |     |
| R.P.M.          | 3450  |      |      |     |     |     |
| Phase Ø         | 1   |      |      | 3   |     |     |
| Voltage         | 115   | 230  | 208  | 230 | 460 | 575 |
| Hertz           | 60  |      |      |     |     |     |
| Operation       | Intermittent  |      |      |     |     |     |
| Temperature     | 140°F   |      |      |     |     |     |
| NEMA Design     | Class B   |      |      |     |     |     |
| Insulation      | A   |      |      |     |     |     |
| Discharge Size  | 2" NPT std. (3" opt.)                               |      |      |     |     |     |
| Solids Handling | 2"  |      |      |     |     |     |
| Unit Weight     | 71 lbs.   |      |      |     |     |     |
| Power Cord      | 14/3, SJTW, 1Ø, 20' std. • 16/4, STWA, 3Ø, 20' std. |      |      |     |     |     |

## DIMENSIONAL DATA



All dimensions in inches. Metric for international use. Component dimensions may vary ± 1/8 inch. Dimensional data not for construction purpose unless certified. Dimensions and weights are approximate. On/Off level adjustable.

ORDERING INFORMATION

| MODEL NUMBER  | ENGINEERING NUMBER | HP    | MAX CAPACITY | MAX HEAD | DISCHARGE NPT | SOLIDS HANDLING | VOLTS | FULL LOAD AMPS | PHASE | CORD LENGTH | SWITCH |
|---------------|--------------------|-------|--------------|----------|---------------|-----------------|-------|----------------|-------|-------------|--------|
| MSKHS50M1 20  | 28220D000          | 1/2   | 138          | 45       | 2" or 3"      | 2"              | 115   | 14.2           | 1     | 20'         | M      |
| MSKHS50A1 20  | 28220D002          | 1/2   | 138          | 45       | 2" or 3"      | 2"              | 115   | 14.2           | 1     | 20'         | PT     |
| MSKHS50M2 20  | 28220D003          | 1/2   | 138          | 45       | 2" or 3"      | 2"              | 230   | 8.3            | 1     | 20'         | M      |
| MSKHS50A2 20  | 28220D005          | 1/2   | 138          | 45       | 2" or 3"      | 2"              | 230   | 8.3            | 1     | 20'         | PT     |
| MSKHS50A7 20  | 28220D006          | 1/2   | 138          | 45       | 2" or 3"      | 2"              | 200   | 9.2            | 1     | 20'         | PT     |
| MSKHS50M3 20  | 28220D007          | 1/2   | 138          | 45       | 2" or 3"      | 2"              | 230   | 6.0            | 3     | 20'         | M      |
| MSKHS50M3 30  | 28220D008          | 1/2   | 138          | 45       | 2" or 3"      | 2"              | 230   | 6.0            | 3     | 30'         | M      |
| MSKHS50M4 20  | 28220D009          | 1/2   | 138          | 45       | 2" or 3"      | 2"              | 460   | 3.0            | 3     | 20'         | M      |
| MSKHS50M5 20  | 28220D011          | 1/2   | 138          | 45       | 2" or 3"      | 2"              | 575   | 2.4            | 3     | 20'         | M      |
| MSKHS50M5 30  | 28220D012          | 1/2   | 138          | 45       | 2" or 3"      | 2"              | 575   | 2.4            | 3     | 30'         | M      |
| MSKHS50M6 20  | 28220D013          | 1/2   | 138          | 45       | 2" or 3"      | 2"              | 200   | 6.6            | 3     | 20'         | M      |
| MSKHS50M6 30  | 28220D014          | 1/2   | 138          | 45       | 2" or 3"      | 2"              | 200   | 6.6            | 3     | 30'         | M      |
| MSKHS50M7 20  | 28220D015          | 1/2   | 138          | 45       | 2" or 3"      | 2"              | 200   | 9.2            | 1     | 20'         | M      |
| MSKHS50M7 30  | 28220D016          | 1/2   | 138          | 45       | 2" or 3"      | 2"              | 200   | 9.2            | 1     | 30'         | M      |
| MSKHS100M2 20 | 28220D100          | 1     | 138          | 57       | 2" or 3"      | 2"              | 230   | 11.4           | 1     | 20'         | M      |
| MSKHS100M2 30 | 28220D101          | 1     | 138          | 57       | 2" or 3"      | 2"              | 230   | 11.4           | 1     | 30'         | M      |
| MSKHS100A2 20 | 28220D102          | 1     | 138          | 57       | 2" or 3"      | 2"              | 230   | 11.4           | 1     | 20'         | PT     |
| MSKHS100M3 20 | 28220D104          | 1     | 138          | 57       | 2" or 3"      | 2"              | 230   | 8.0            | 3     | 20'         | M      |
| MSKHS100M3 30 | 28220D105          | 1     | 138          | 57       | 2" or 3"      | 2"              | 230   | 8.0            | 3     | 30'         | M      |
| MSKHS100M4 20 | 28220D106          | 1     | 138          | 57       | 2" or 3"      | 2"              | 460   | 4.0            | 3     | 20'         | M      |
| MSKHS100M4 30 | 28220D107          | 1     | 138          | 57       | 2" or 3"      | 2"              | 460   | 4.0            | 3     | 30'         | M      |
| MSKHS100M5 20 | 28220D108          | 1     | 138          | 57       | 2" or 3"      | 2"              | 575   | 3.2            | 3     | 20'         | M      |
| MSKHS100M5 30 | 28220D109          | 1     | 138          | 57       | 2" or 3"      | 2"              | 575   | 3.2            | 3     | 30'         | M      |
| MSKHS100M6 20 | 28220D110          | 1     | 138          | 57       | 2" or 3"      | 2"              | 200   | 8.8            | 3     | 20'         | M      |
| MSKHS100M6 30 | 28220D111          | 1     | 138          | 57       | 2" or 3"      | 2"              | 200   | 8.0            | 3     | 30'         | M      |
| MSKHS100M7 20 | 28220D112          | 1     | 138          | 57       | 2" or 3"      | 2"              | 200   | 12.6           | 1     | 20'         | M      |
| MSKHS100M7 30 | 28220D113          | 1     | 138          | 57       | 2" or 3"      | 2"              | 200   | 12.6           | 1     | 30'         | M      |
| MSKHS150M2 20 | 28220D150          | 1-1/2 | 138          | 70       | 2" or 3"      | 2"              | 230   | 13.9           | 1     | 20'         | M      |
| MSKHS150M2 30 | 28220D151          | 1-1/2 | 138          | 70       | 2" or 3"      | 2"              | 230   | 13.9           | 1     | 30'         | M      |
| MSKHS150A7 20 | 28220D153          | 1-1/2 | 138          | 70       | 2" or 3"      | 2"              | 200   | 15.3           | 1     | 20'         | PT     |
| MSKHS150M3 20 | 28220D154          | 1-1/2 | 138          | 70       | 2" or 3"      | 2"              | 230   | 7.6            | 3     | 20'         | M      |

## SUBMERSIBLE HIGH HEAD SEWAGE EJECTOR PUMP MSKHS SERIES

### ORDERING INFORMATION

| MODEL NUMBER  | ENGINEERING NUMBER | HP    | MAX CAPACITY | MAX HEAD | DISCHARGE NPT | SOLIDS HANDLING | VOLTS | FULL LOAD AMPS | PHASE | CORD LENGTH | SWITCH |
|---------------|--------------------|-------|--------------|----------|---------------|-----------------|-------|----------------|-------|-------------|--------|
| MSKHS150M3 30 | 28220D155          | 1-1/2 | 138          | 70       | 2" or 3"      | 2"              | 230   | 7.6            | 3     | 30'         | M      |
| MSKHS150M4 20 | 28220D156          | 1-1/2 | 138          | 70       | 2" or 3"      | 2"              | 460   | 3.9            | 3     | 20'         | M      |
| MSKHS150M4 30 | 28220D157          | 1-1/2 | 138          | 70       | 2" or 3"      | 2"              | 460   | 3.9            | 3     | 30'         | M      |
| MSKHS150M5 20 | 28220D158          | 1-1/2 | 138          | 70       | 2" or 3"      | 2"              | 575   | 3.1            | 3     | 20'         | M      |
| MSKHS150M5 30 | 28220D159          | 1-1/2 | 138          | 70       | 2" or 3"      | 2"              | 575   | 3.1            | 3     | 30'         | M      |
| MSKHS150M6 30 | 28220D161          | 1-1/2 | 138          | 70       | 2" or 3"      | 2"              | 200   | 8.5            | 3     | 30'         | M      |
| MSKHS150M7 20 | 28220D162          | 1-1/2 | 138          | 70       | 2" or 3"      | 2"              | 200   | 15.3           | 1     | 20'         | M      |
| MSKHS150M7 30 | 28220D163          | 1-1/2 | 138          | 70       | 2" or 3"      | 2"              | 200   | 15.3           | 1     | 30'         | M      |
| MSKHS200M2 20 | 28220D200          | 2     | 175          | 80       | 2" or 3"      | 2"              | 230   | 18.0           | 1     | 20'         | M      |
| MSKHS200M3 20 | 28220D202          | 2     | 175          | 80       | 2" or 3"      | 2"              | 230   | 9.2            | 3     | 20'         | M      |
| MSKHS200M4 20 | 28220D204          | 2     | 175          | 80       | 2" or 3"      | 2"              | 460   | 4.6            | 3     | 20'         | M      |
| MSKHS200M4 30 | 28220D205          | 2     | 175          | 80       | 2" or 3"      | 2"              | 460   | 4.6            | 3     | 30'         | M      |
| MSKHS200M5 20 | 28220D206          | 2     | 175          | 80       | 2" or 3"      | 2"              | 575   | 3.7            | 3     | 20'         | M      |
| MSKHS200M5 30 | 28220D207          | 2     | 175          | 80       | 2" or 3"      | 2"              | 575   | 3.7            | 3     | 30'         | M      |
| MSKHS200M6 20 | 28220D200          | 2     | 175          | 80       | 2" or 3"      | 2"              | 200   | 10.4           | 3     | 20'         | M      |
| MSKHS200M6 30 | 28220D209          | 2     | 175          | 80       | 2" or 3"      | 2"              | 200   | 10.4           | 3     | 30'         | M      |



293 Wright St  
Delavan, WI 53115  
Ph: 888.987.8677  
Fx: 800.426.9446

490 Pinebush Rd, Unit 4  
Cambridge, Ontario N1T 0A5, Canada  
Ph: 800.363.7867  
Fx: 888.606.5484

pentair.com

All indicated Pentair trademarks and logos are property of Pentair. Third party registered and unregistered trademarks and logos are the property of their respective owners. Because we are continuously improving our products and services, Pentair reserves the right to change specifications without prior notice. Pentair is an equal opportunity employer.

©2023 Pentair. All Rights Reserved.

MY99629 (08-01-23)