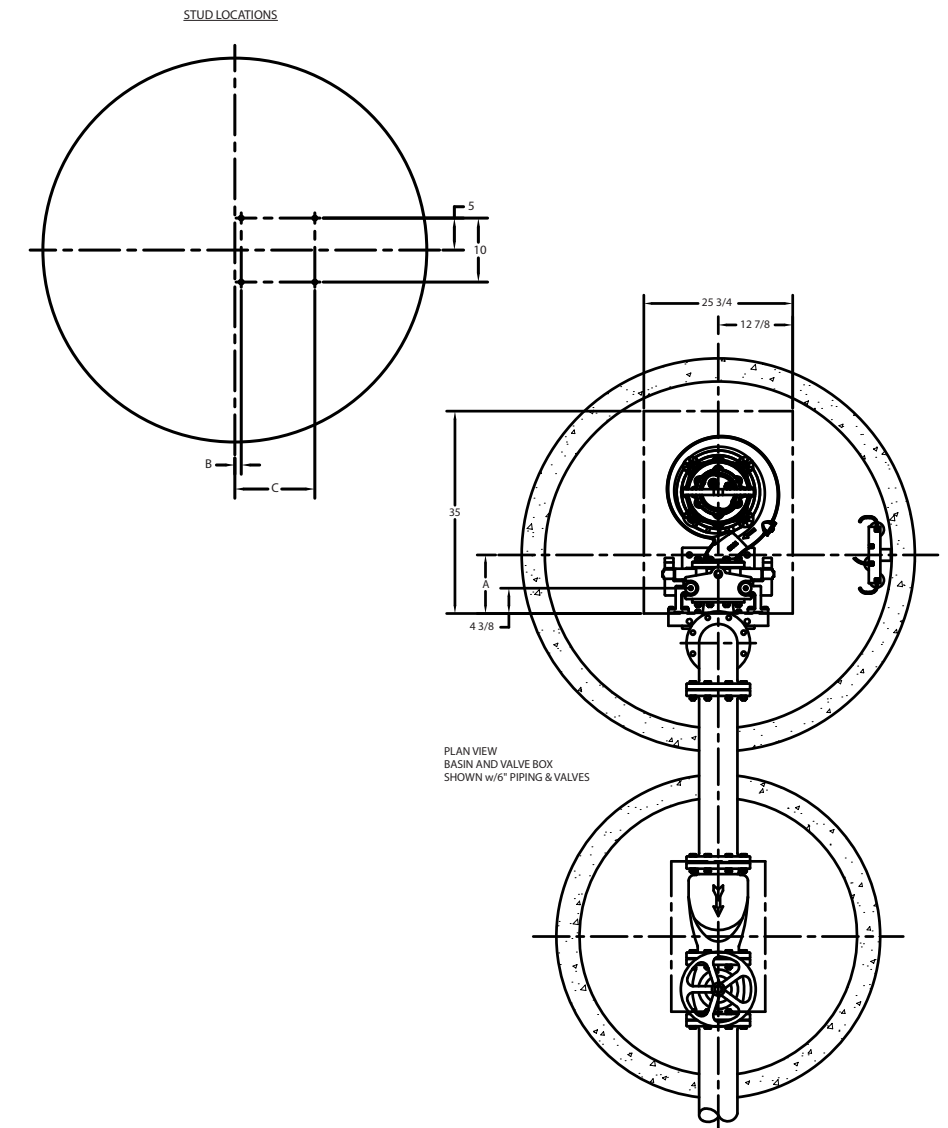
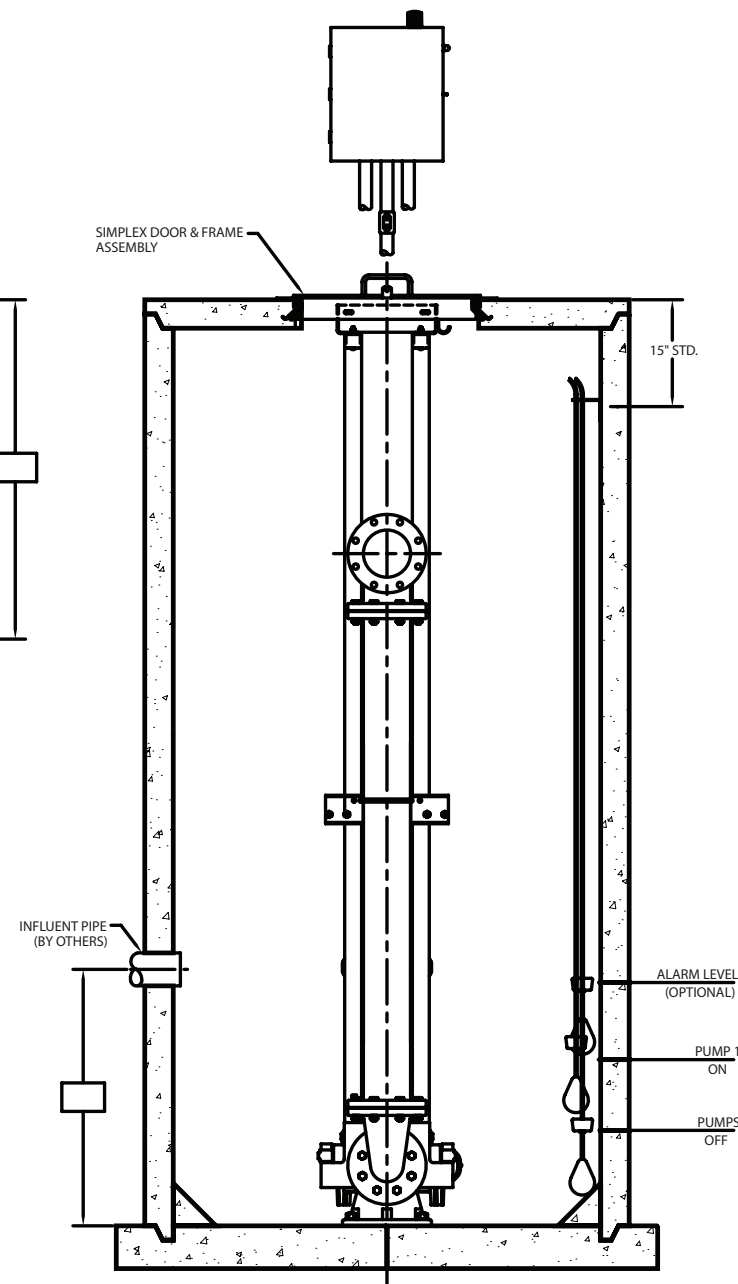
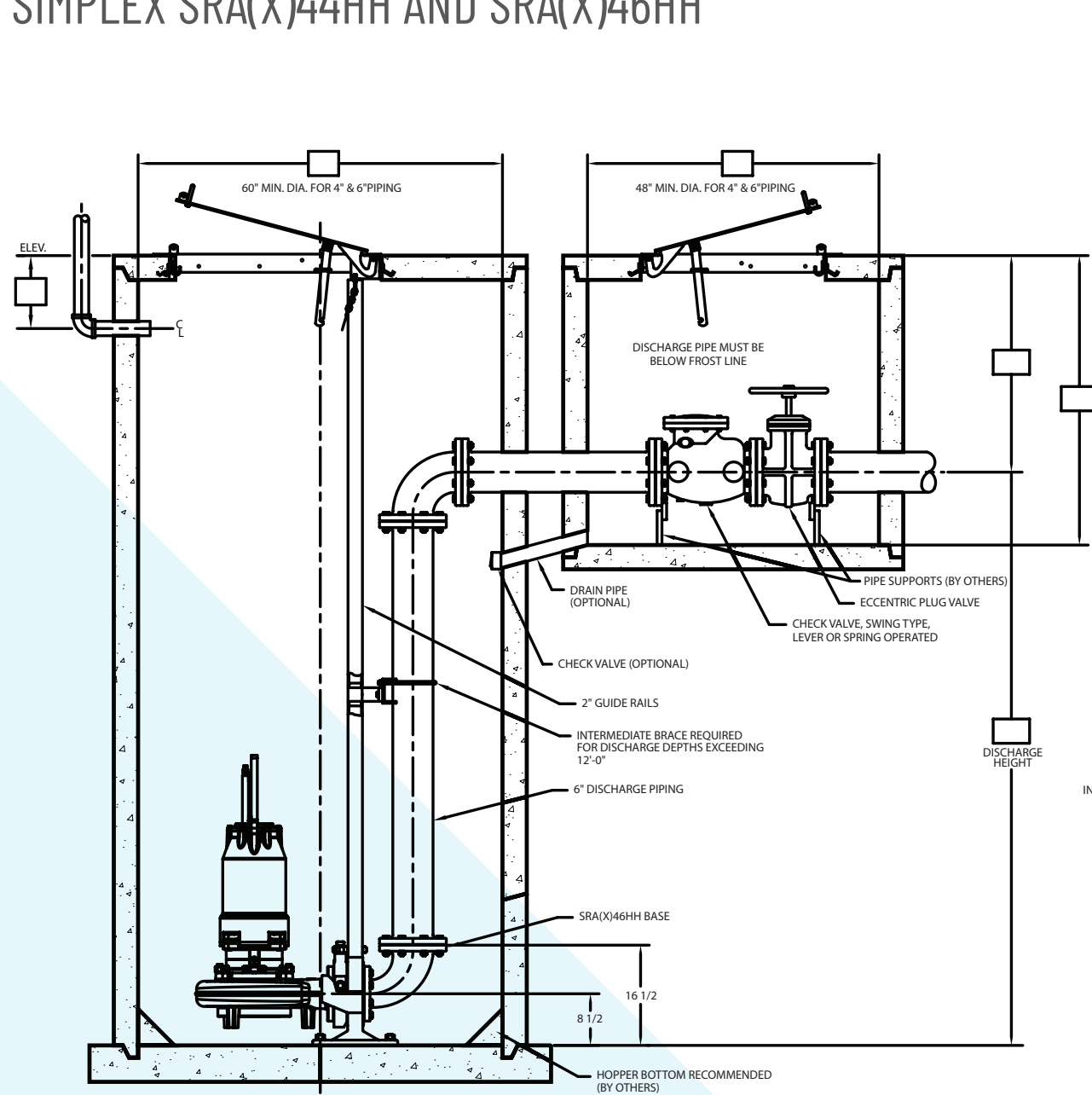


# SUBMERSIBLE SOLIDS HANDLING PUMP

## SIMPLEX SRA(X)44HH AND SRA(X)46HH



FOR MODELS: \*3SC, 4HC, 4SD, AND 4HD

MIN. SUMP DIA.	MIN. VALVE BOX DIA.	PIPING SIZE	A	B	C
5' - 0"	4' - 0"	4"	11-1/8	1"	12-1/2"
5' - 0"	4' - 0"	6"	10-1/8	0"	11-1/2"

\*3SC requires a 3" X 4" adapter.

1101 Myers Parkway  
Ashland, OH 44805  
Ph: 855.274.8948  
Fx: 800.426.9446

490 Pinebush Rd., Unit 4  
Cambridge, Ontario N1T 0A5, Canada  
Ph: 800.363.7867  
Fx: 888.606.5484

[pentair.com/myers](http://pentair.com/myers)