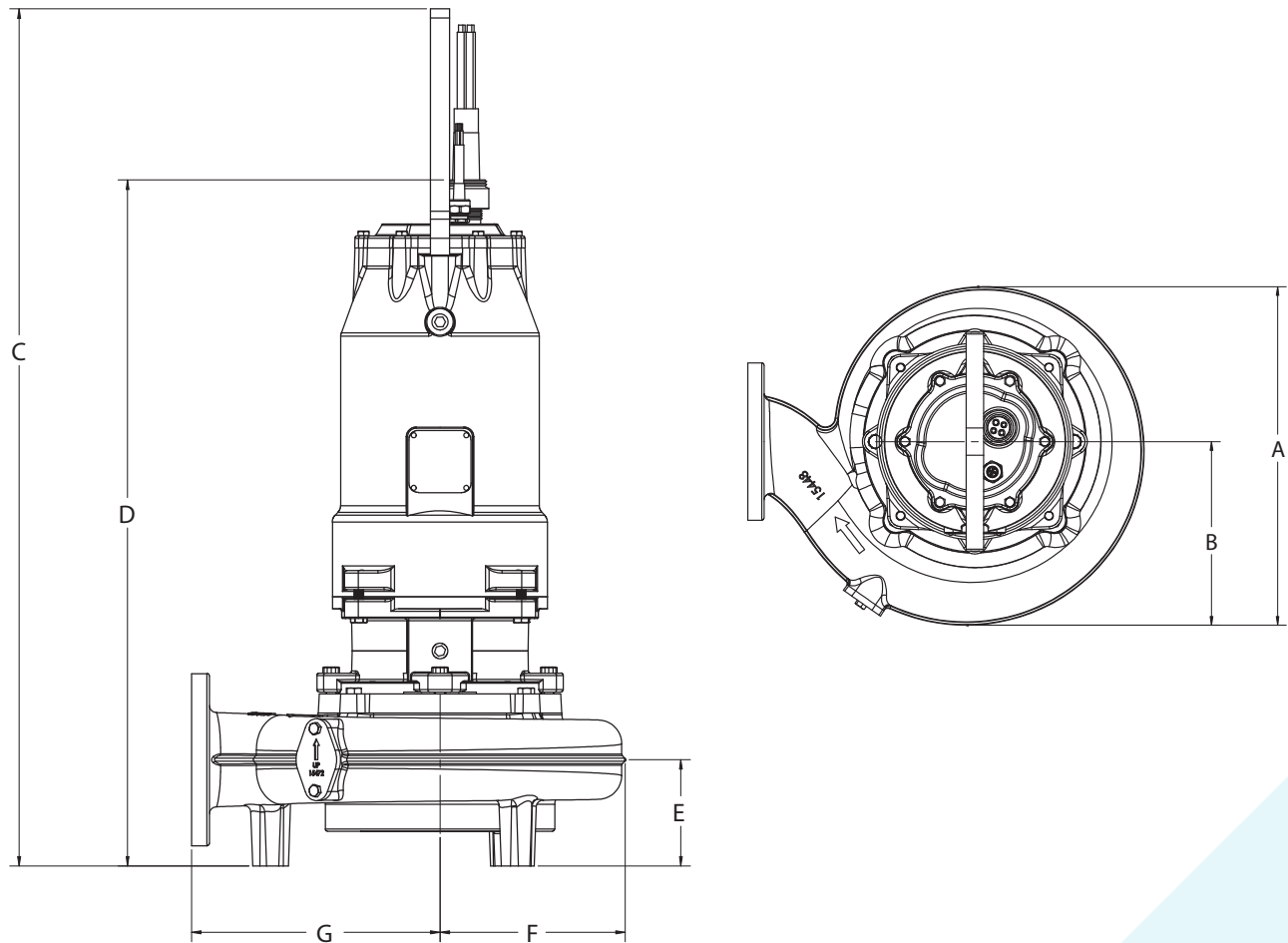


# SUBMERSIBLE SOLIDS HANDLING PUMPS

## MNG4HC(X), MNG6MC(X) SERIES



MODEL	A	B	C	D	E	F	G
MNG4HC(X)	19.36	10.50	44.83	35.87	5.56	9.69	13.00
MNG6MC(X)	17.34	9.65	45.20	36.25	5.92	8.66	13.00

All measurements in inches.

1101 Myers Parkway  
Ashland, OH 44805  
Ph: 855.274.8948  
Fx: 800.426.9446

490 Pinebush Rd., Unit 4  
Cambridge, Ontario N1T 0A5, Canada  
Ph: 800.363.7867  
Fx: 888.606.5484

[pentair.com/myers](http://pentair.com/myers)