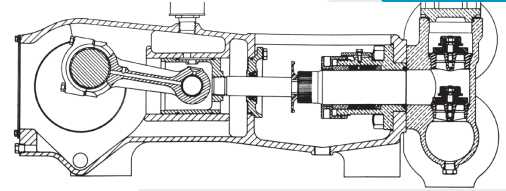


# MA-95L(M)

## TRIPLEX PLUNGER



No. of Plungers.....	3
Maximum Rated Speed.....	450 rpm
Stroke Length.....	4.00 in. 101.6 mm
Maximum Rated Power.....	95.0 hp 70.7 kW
Maximum Rod Load.....	6,259 lbs. 27.7 kN
Weight 95L.....	1,725 lbs.
95M.....	1,600 lbs.

**ENGLISH UNITS**
**MA-95L**

PLUNGER SIZE in.	STUFFING BOX BORE in.	MAX psi	*GALLON PER/REV.	250 rpm US GPM	300 rpm US GPM	350 rpm US GPM	400 rpm US GPM	450 rpm US GPM
3.500	4.500	650	0.4998	125.0	149.9	174.9	199.9	224.9
3.250	4.500	754	0.4310	107.8	129.3	150.9	172.4	194.0
3.000	4.000	884	0.3672	91.8	110.2	128.5	146.9	165.2
2.750	4.000	1053	0.3086	77.2	92.6	108.0	123.4	138.9
2.625	4.000	1156	0.2811	70.3	84.3	98.4	112.4	126.5
2.500	3.250	1274	0.2550	63.8	76.5	89.3	102.0	114.8
2.375	3.250	1411	0.2301	57.5	69.0	80.5	92.0	103.6
2.250	3.250	1572	0.2066	51.7	62.0	72.3	82.6	93.0
2.125	3.250	1764	0.1842	46.1	55.3	64.5	73.7	82.9

**METRIC UNITS**
**MA-95L**

PLUNGER SIZE mm	STUFFING BOX BORE mm	MAX PRESS. BAR	*LITER PER/REV.	250 rpm LPM	300 rpm LPM	350 rpm LPM	400 rpm LPM	450 rpm LPM
88.9	114.3	44.7	1.8922	473.1	567.7	662.3	756.9	851.5
82.6	114.3	51.9	1.6318	408.0	489.5	571.1	652.7	734.3
76.2	101.6	60.9	1.3902	347.6	417.1	486.6	556.1	625.6
69.9	101.6	72.6	1.1684	292.1	350.5	408.9	467.4	525.8
66.7	101.6	79.7	1.0642	266.1	319.3	372.5	425.7	478.9
63.5	82.6	88.2	0.9654	241.4	287.6	337.9	386.2	434.4
60.3	82.6	97.4	0.8712	217.8	261.4	304.9	348.5	392.0
57.2	82.6	108.4	0.7822	195.6	234.7	273.8	312.9	352.0
54.0	82.6	121.6	0.6974	174.4	209.2	244.1	279.0	313.8

**ENGLISH UNITS**
**MA-95M**

PLUNGER SIZE in.	STUFFING BOX BORE in.	MAX psi	*GALLON PER/REV.	250 rpm US GPM	300 rpm US GPM	350 rpm US GPM	400 rpm US GPM	450 rpm US GPM
2.250	3.250	1572	0.2066	51.7	62.0	72.3	82.6	92.9
2.125	3.250	1763	0.1842	46.0	55.3	64.5	73.7	82.9
2.000	2.875	1992	0.1632	40.8	49.0	57.1	65.3	73.4
1.875	2.875	2265	0.1434	35.9	43.0	50.2	57.4	65.5
1.750	2.875	2600	0.1250	31.3	37.5	43.8	50.0	56.3
1.625	2.500	3016	0.1077	26.9	32.3	37.7	43.1	48.5
1.500	2.500	3250	0.0918	23.0	27.5	32.1	36.7	41.3

**METRIC UNITS**
**MA-95M**

PLUNGER SIZE mm	STUFFING BOX BORE mm	MAX PRESS. BAR	*LITER PER/REV.	250 rpm LPM	300 rpm LPM	350 rpm LPM	400 rpm LPM	450 rpm LPM
57.2	82.6	108.4	0.7822	195.6	234.7	273.8	315.9	352.0
54.0	82.6	121.6	0.6974	174.4	209.2	244.1	279.0	313.8
50.8	73.0	137.2	0.6179	154.5	185.4	216.3	247.2	278.1
47.6	73.0	156.1	0.5429	135.7	163.0	190.0	217.2	244.3
44.5	73.0	179.2	0.4733	118.3	142.0	165.7	189.3	213.0
41.3	63.5	207.9	0.4078	102.0	122.3	142.7	163.1	183.5
38.1	63.5	224.0	0.3476	86.9	103.8	121.7	139.0	156.4

\*Displacement based on 100% Volumetric Efficiency

Power based on 90% Mechanical Efficiency

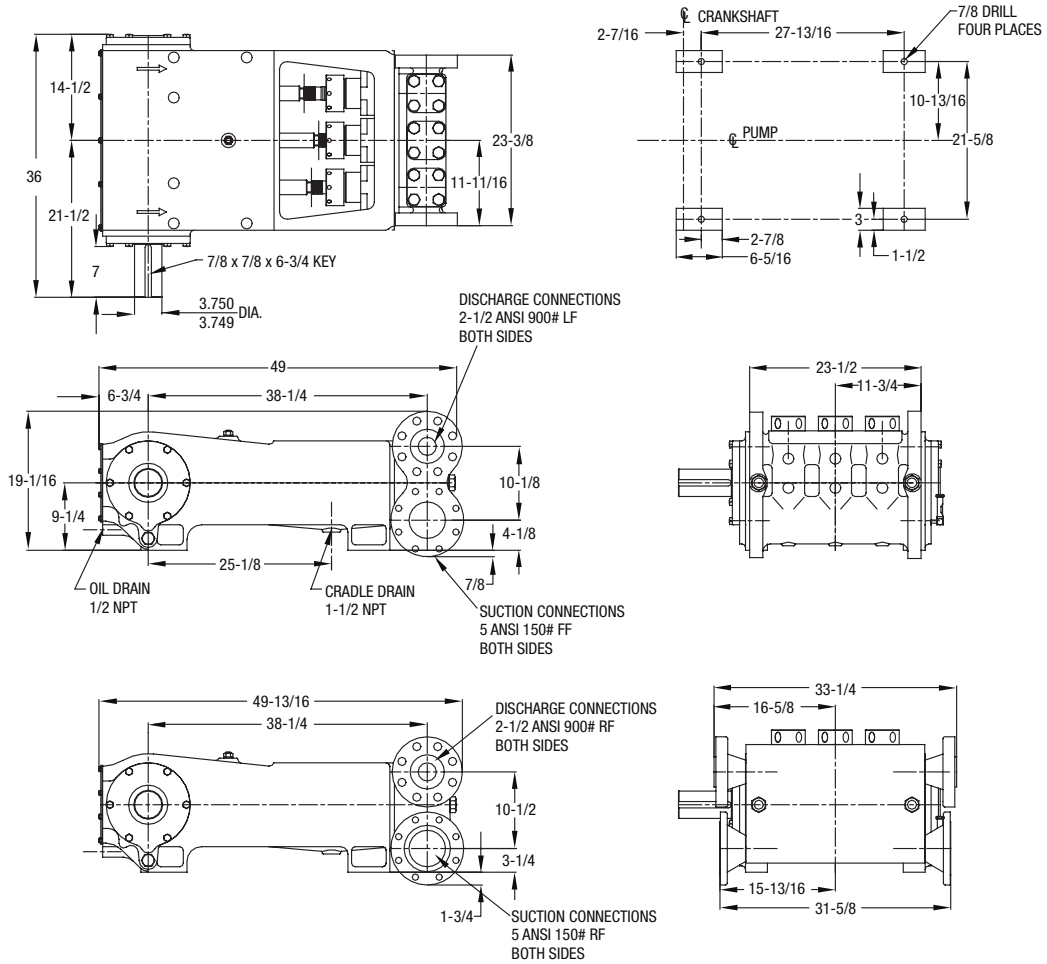
$$I_{hp} = \frac{USGPM \times (\text{Discharge psig} - 1/2 \text{ Suction psig})}{1542}$$

$$I_{kW} = \frac{M^3/HR \times (\text{Discharge Bar} - 1/2 \text{ Suction Bar})}{32.4}$$

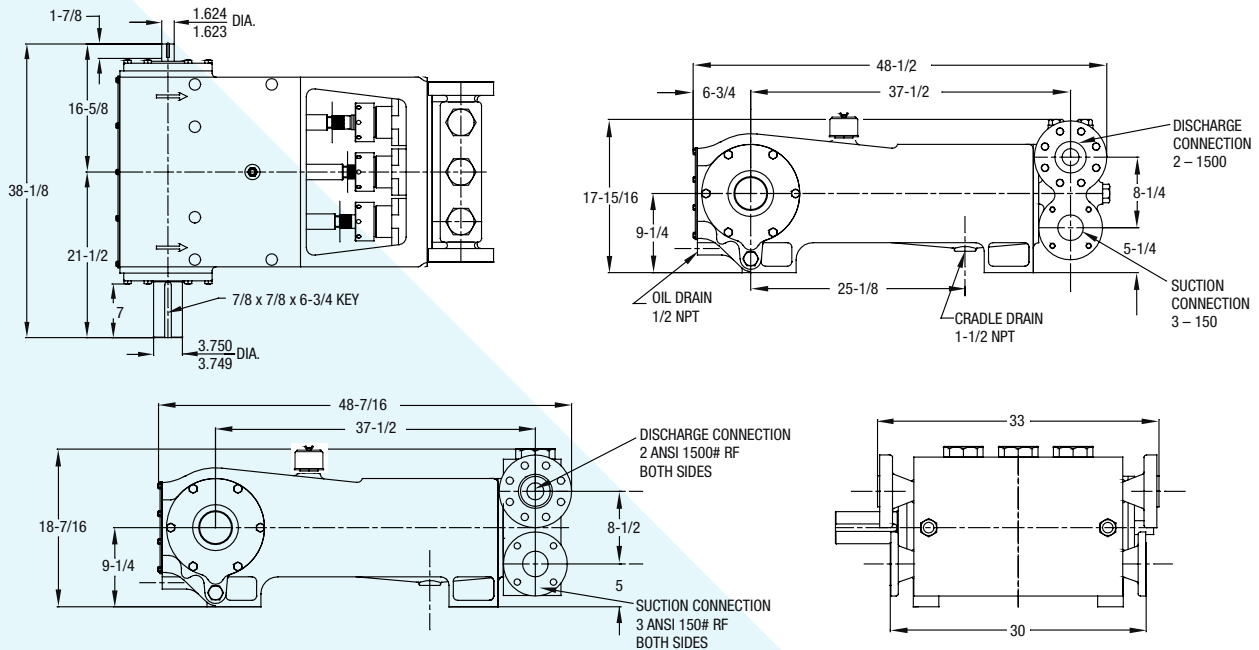
$$\text{Pump rpm} = \frac{USGPM \text{ Desired}}{USG \text{ per Revolution of Selected Plunger}}$$

$$\text{Pump rpm} = \frac{M^3/HR \text{ Desired}}{M^3 \text{ per Revolution of Selected Plunger}}$$

## MA-95L Triplex Pump (Measurements shown in inches)

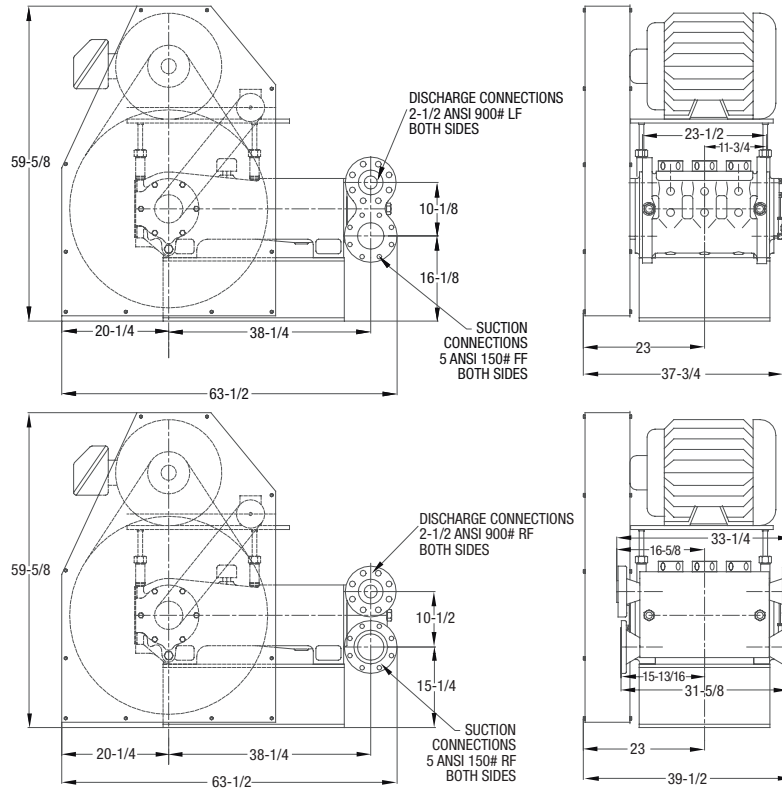


## MA-95M Triplex Pump (Measurements shown in inches)

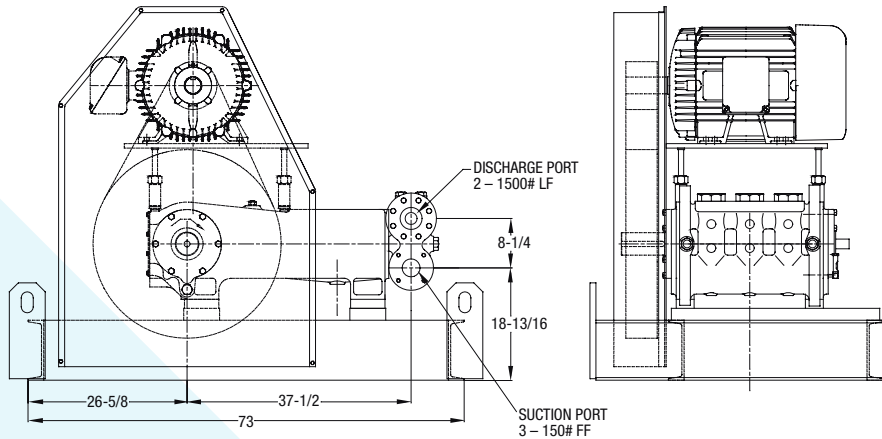




## MA-95L Triplex Pump (Measurements shown in inches)



## MA-95M Triplex Pump (Measurements shown in inches)



1101 MYERS PARKWAY,  
ASHLAND, OHIO 44805

490 PINEBUSH ROAD, UNIT 4,  
CAMBRIDGE, ONTARIO N1T 0A5

[WWW.PENTAIR.COM/MYERS](http://WWW.PENTAIR.COM/MYERS)

Inconel® is a registered trademark of the Special Metals family of companies.  
Timken® is a registered trademark of The Timken Company.  
Myers® is a registered trademark of Pentair.

For a detailed list of where Pentair trademarks are registered, please visit [www.pentair.com/en/registrations.html](http://www.pentair.com/en/registrations.html). Pentair trademarks and logos are owned by Pentair plc or its affiliates. Third party registered and unregistered trademarks and logos are the property of their respective owners because we are continuously improving our products and services. Pentair reserves the right to change specifications without prior notice. Pentair is an equal opportunity employer.

MA1018 [07/15/20] ©2020 Pentair. All Rights Reserved.