

5800 Horizontal Split Case Pumps Data

Table of Contents

Construction Features	080
Typical Specifications.	081
Pump Parameters.	083
Technical Data, Basic Pump.	084
Material Specifications and Parts List	090
Assembly Drawings	095
Basic Pump Dimension Drawings	106
Setting Plans	120

		Standard	Options
Type	Horizontal, single stage, split case	✓	
Rotation	CW or CCW facing coupling end	✓	
Casing	Axially split, 2-piece doweled, single volute (double volute on 20" & 36"-5824, 10"-5825 and 6", 8" & 10"-5826) with integral bearing shoulders	✓	
Nozzles	Flanged and integral with lower casing	✓	
	Side suction and side discharge (except 36"-5824)	✓	
	Bottom suction and side discharge on 20"-5822, and 16" & 20"-5823 and 20"-5824		✓
	125 lb. ANSI drilling, suction and discharge (except 10"-5825 and 4", 5" & 6"-5876 which have 250 lb. ANSI discharge flange)	✓	
	250 lb. ANSI flange, suction and discharge		✓
Impeller	Single and double suction depending on model, radial flow, Francis vane, enclosed type	✓	
Wear Rings	Replaceable casing rings		✓
	Replaceable impeller rings		✓
Shaft	Reversible for either rotation except single suction impeller units	✓	
	Double extended		✓
Shaft Sleeve	Straight type, adhesive affixed with locking nut	✓	
Stuffing Box	Packing with water seal cage	✓	
	Mechanical seals		✓
Gland	Two piece, split interlocking two bolt type	✓	
	Solid one piece, two or four bolt for mechanical seals		✓
Stuffing Box Injection	External piping	✓	
Bearing Housing	Integral bearing arms in lower casing (except 4", 5" & 6"-5876)	✓	
	Separate bolt on bearing arms (4", 5" & 6"-5876 and 16" 5800 and larger)	✓	
Bearing-radial	Single row-ball, cartridge housing	✓	
Bearing-thrust	Single or double row-ball, cartridge housing	✓	
Lubrication	Grease	✓	
Auxiliary Connections	Drain taps (NPT) in bearing shoulders	✓	
	Drain taps (NPT) in discharge	✓	
	Vent/priming tap (NPT) in top of volute	✓	
	Stuffing box tap (NPT)	✓	
	Suction and discharge gauge taps (NPT)	✓	
Baseplates	Bent form (1)	✓	
	Structural steel (2)	✓	
	Drip tray		✓
Couplings	Flexible sleeve type	✓	
	Steelflex, Gear, Disc		✓
Coupling Guard	Two piece, closed, bracket mounted	✓	
	One piece, closed, base mounted		✓

Notes:

- (1) Bent form base construction is standard through 8" - 5800's (except 5826's and 5" 5874) which use a 445 motor frame or smaller. These units using motor frames larger than 445 will utilize a structural steel base as standard.
- (2) Structural steel base construction is standard for 10" 5800's and larger, all 5826's, 5" 5874 and all units using motors larger than a 445 frame.

HORIZONTAL SPLIT CASE 5800 PUMP SPECIFICATIONS

PART 1. GENERAL

- 1.01 This specification includes the supply of ____ horizontal split case pump(s). Pump(s) shall have a maximum ____” diameter suction and ____” diameter discharge. Each unit shall be furnished with a pump, driver, and base with coupling guard. Pumps are to be connected to drivers by suitably sized flexible couplings.
- 1.02 **QUALITY ASSURANCE**
 - A. All pumping equipment furnished under this Section shall be of a design and manufacture that has been used in similar applications, and it shall be demonstrated to the satisfaction of the Owner that the quality is equal to equipment made by that manufacturer specifically named herein.
 - B. Unit responsibility. Pump(s), complete with motor, coupling, necessary guards and all other specified accessories and appurtenances shall be furnished by the pump manufacturer to insure compatibility and integrity of the individual components, and provide the specified warranty for all components.
 - C. The horizontal split case pump(s) specified in this section shall be furnished by and be the product of one manufacturer.
 - D. Pumps are to be engineered and manufactured under a written Quality Assurance program. The Quality Assurance program is to be in effect for at least ten years, to include a written record of periodic internal and external audits to confirm compliance with such program.
 - E. Pump(s) are to be engineered and manufactured under the certification of ISO-9001:2000.
- 1.03 **PERFORMANCE**
 - A. The pump(s) shall be designed for continuous operation and will be operated continuously under normal service.
 - B. **OPERATION CRITERIA**

	Flow (GPM)	TDH (ft.)	Max. Pump Speed (RPM)	Max. Solids Passage	Max. Shutoff Head (ft.)	NPSHR @ Rated Condition (ft.)
Design Condition						
Secondary Condition						

- C. Net positive suction head available at the centerline of the pump impeller is ____ feet at ____ GPM.
- D. Liquid pumped is _____ with a maximum temperature of ____ deg. F.

PART 2, PRODUCTS

- 2.01 **PUMPS**
 - A. **Manufacturers**
 - 1. Pump(s) shall be the product of Fairbanks Morse Pump.
 - 2. Manufacturer shall have installations of like or similar application with a minimum of 5 years service for this pump size.
 - B. **Design**
 - 1. **Rotation**
 - a. The pump will be (clockwise)(counterclockwise) rotation when viewed from the driver end looking at the pump.
 - 2. **Impeller**
 - a. The impeller shall be of the enclosed type, double suction, Francis vane design, to minimize inlet losses and accommodate high suction lifts.
 - b. Impeller shall be hydraulically and statically balanced to reduce bearing loading.
 - c. Impellers shall be precision cast in one piece with smooth flow contours to promote maximum efficiency.
 - d. Impellers shall be fixed axially along the shaft by shaft sleeves and sleeve nuts, and secured to the shaft through a precision fit and full-length key.
 - e. The impeller hub shall have sufficient metal thickness to allow machining for installation of impeller wear rings.
 - 3. **Casing**
 - a. The casing shall be made of close-grained cast iron conforming to ASTM A48 CL30 suitable for ____ PSI working pressure when ____ lb. ANSI discharge flange is used.

- b. Casing shall withstand a minimum ____ PSI hydrostatic test.
 - c. Casing shall consist of upper and lower half castings containing the volute and suction passages, and integral bearing housings to the lower half casing.
 - d. Casing shall be axially split along the horizontal shaft centerline with flat-faced suction and discharge flanges and mounting feet cast integral with the lower half casing.
 - e. Casing shall be lined-bored to assure concentricity and angular alignment.
 - f. The upper and lower half casings shall be single volute doweled to permit easy removal and accurate replacement of the upper half for inspection and maintenance. The upper half casing shall be completely removable without disturbing the suction or discharge piping connections.
 - g. Suction and discharge connections shall be sized to reduce hydraulic friction losses and to reduce turbulence and pipe noise. All suction and discharge flanges shall be designed for straight through nut-and-bolt flange connections. Suction flange shall be 125# ANSI drilling and the discharge flange (125#)(250#) ANSI drilling.
 - h. Upper half casing shall have a drilled and tapped connection at the highest point on the casing for the purpose of pump priming and/or air release. Lower half casing shall be drilled and tapped to allow for drainage piping.
4. Wear Rings
 - a. Wear rings shall be provided on both the impeller and casing so that clearances can be maintained throughout the life of the rings and minimize recirculation.
 - b. Impeller wear rings shall be of the annular type type.
 - c. Casing wear rings shall be of the annular type pinned at the parting flange of the casing to prevent rotation.
 - d. Wear rings shall be bronze.
 5. Bearings
 - a. Bearings shall be single row and deep groove ball type (double row thrust bearings on 10" pumps and larger) selected to carry radial and thrust loads.
 - b. Bearings shall be designed for an L10 life of 100,000 hours per AFBMA at best efficiency point.
 6. Shaft
 - a. The pump shaft shall be manufactured of high quality heat treated steel of sufficient diameter to carry maximum loads with a minimum deflection as measured at the sealing box for all normal performance conditions on the curve.
 - b. Shaft shall be manufactured to meet stiff shaft construction with a critical speed at least 25% in excess of operating speed, in order to prevent vibration and fatigue.
 - c. Shaft shall be accurately machined along its entire length. A keyway shall be machined at the coupling end. No threads shall be machined adjacent to the impeller.
 7. Sealing Box
 - a. The sealing box shall be machined into the casing.
 - b. Sealing box shall contain a two-piece interlocking gland, five (5) rings of synthetic graphite impregnated packing and a water seal ring.
 - c. External piping complete with snubber valves shall be installed from the casing to each sealing box to circulate sealing water.
 8. Baseplate, Coupling and Guard
 - a. A fabricated steel base for pump and drive is to be supplied. Base shall be designed to resist torsional movement and support the combined weight of both pump and driver.
 - b. After leveling and alignment, the base shall be grouted and completely filled with a non-shrinking grout.
 - c. A flexible coupling and an enclosed type coupling guard shall be provided.
 9. Testing
 - a. A certified factory hydrostatic and performance test shall be performed on each pumping unit in accordance with Hydraulic Institute Standards, latest edition. Tests shall be sufficient to determine the curves of head input horsepower, and efficiency relative to capacity from shutoff to 150% of design flow. A minimum of six points, including shutoff, shall be taken for each test. At least one point of the six shall be taken as near as possible to each specified conditions.
 - b. Results of the performance tests shall be certified by a Registered Professional Engineer and submitted for approval before final shipment.
 10. Pumps shall be manufactured by companies whose management system is registered to ISO 9001:2000.

Pump Parameters

Maximum Operating Temperatures

Guidelines shown in the table below may be used when determining maximum working temperature construction parameters for the following pumps:

5821's thru 14"
5822's thru 12"
5823's thru 12"
5824's thru 8"

For all other 5800's contact Application Engineering for review.

Temperature Range	Construction
32 to 160 degrees F (0 to 71 degrees C)	Cast iron or ductile iron casings Standard stuffing box Standard bearings Standard grease lubrication
161 to 250 degrees F (72 to 121 degrees C)	Cast iron or ductile iron casings Standard stuffing box Standard bearings High temperature grease lubrication *Contact Application Engineering for applications above 212 degrees F (100 degrees C).
251 to 350 degrees F (122 to 177 degrees C)	Ductile iron casings Injection/cooling stuffing box High temperature grease Bearing housing cooling *Contact Application Engineering
Above 350 degrees F (Above 177 degrees C)	Ductile iron casings *Contact Application Engineering for special construction

For materials of construction other than cast iron or ductile iron, contact Application Engineering for review.

	5821									5822		
Pump Size (Discharge Size)	4	5	6	8	10	12	14	20	36	4	5	6
Suction Size	5	6	8	10	12	14	16	20	42	5	6	8
Nominal Wear Ring Clearance	.019	.019	.019	.020	.023	.025	.027	.030	.060	.019	.019	.019
Impeller:												
Weight (lbs)	28.0	23.0	35.5	(4)	112.0	110.0	138.0	290.0	2850.0	34.0	36.0	49.0
Eye Area (sq. inches.)	20.00	25.00	37.20	(4)	75.60	143.00	142.00	245.70	1111.24	18.80	26.20	33.60
WR ² (lb.ft ²)	1.9	1.3	2.2	(4)	16.2	19.8	30.1	87	4644	3.0	3.2	5.5
Sphere Size (Maximum)	5/8	3/4	3/4	1 1/16	1 1/8	1 1/4	1 1/4	1 1/2	2 1/2	1/2	5/8	13/16
Shaft Diameter:												
at Impeller	1 15/16	1 9/16	1 9/16	1 11/16	2 3/16	2 3/16	2 7/16	4	8	1 9/16	1 11/16	1 11/16
at Sleeve	1 1/4	1 1/2	1 1/2	1 5/8	2 1/8	2 1/8	2 3/8	RTF	7 7/8	1 1/2	1 5/8	1 5/8
at Thrust/Radial Bearings	.98	1.18	1.18	1.38	1.77	1.77	1.97	3	5.91	1.18	1.38	1.38
at Coupling	7/8	1 1/16	1 1/16	1 1/4	1 11/16	1 11/16	1 7/8	2 3/4	5 3/4	1 1/16	1 1/4	1 1/4
Center to Center of Bearings	21 1/8	22 1/8	24 5/8	28 5/16	35 1/8	37 7/8	40 15/16	49 1/4	98 3/4	22 1/8	23 11/16	27 15/16
Thrust Bearing No.	6305	6306	6306	6307	6309	6309	6310	RTF	23230	6306	6307	6307
Radial Bearing No.	6305	6306	6306	6307	6309	6309	6310	RTF	23230	6306	6307	6307
Sealing Box:												
Packing:												
Size	3/8	3/8	3/8	3/8	1/2	1/2	1/2	5/8	1	3/8	3/8	3/8
No. Rings per Box	5	5	5	5	6	6	7	5	6	5	5	5
Seal Cage Width	3/4	3/4	3/4	3/4	1	1	1 1/16	1 1/4	RTF	3/4	3/4	3/4
Mechanical Seal:												
Type (Standard)	(2)	(2)	(2)	(2)	(2)	(2)	(2)	(2)	(2)	(2)	(2)	(2)
Recommended flush water:												
Pressure	(3)	(3)	(3)	(3)	(3)	(3)	(3)	(3)	(3)	(3)	(3)	(3)
Flow (GPM)	1/2-1	1/2-1	1/2-1	1/2-1	1/2-1	1/2-1	1/2-1	1/2-1	1/2-1	1/2-1	1/2-1	1/2-1
Sleeve OD	1 1/2	1 3/4	1 3/4	1 7/8	2 1/2	2 1/2	2 5/8	4 3/8	8 3/4	1 3/4	1 7/8	1 7/8
Box ID	2 1/4	2 1/2	2 1/2	2 5/8	3 1/2	3 1/2	3 5/8	5 5/8	10 3/4	2 1/2	2 5/8	2 5/8
Box Depth	2 13/16	2 13/16	2 13/16	3	4 3/8	4 1/8	4 5/8	4 5/8	9	2 13/16	3	3
Box Inlet Tap Size (NPT)	1/4	1/4	1/4	1/4	1/4	1/4	1/4	1/4	1/2	1/4	1/4	1/4
Casing Drain Tap Size (NPT)	3/8	3/8	1/2	1/2	3/4	1	1	1	1 1/2	3/8	1/2	1/2
Vent/Priming Tap Size (NPT)	1/2	1/2	1/2	1	3/4	1	1	1	2 1/2	1/2	1/2	3/4
Gauge Tap Size												
Suction and Discharge (NPT)	1/4	1/4	1/4	1/4	1/4	1/4	1/4	1/4	3/8	1/4	1/4	1/4
Hydrostatic Test, PSI (5):	262	262	262	262	262	262	187	110	110	262	262	262
Casing Working, PSI (5):	175	175	175	175	175	175	125	75	75	175	175	175
Operating Temp. °F (5):	160	160	160	160	160	160	160	160	160	160	160	160
Nominal Casing Thickness	3/8	3/8	3/8	3/8	9/16	9/16	9/16	1 1/16	1	3/8	3/8	7/16
Anchor Bolt Size, recommended	1/2	1/2	1/2	1/2	1/2	1/2	1/2	1 1/4	1 7/8	1/2	1/2	1/2
Shipping Weight, Basic Pump Only (lbs.)	285	345	505	580	1285	1600	1875	4050	30400	285	385	515

Notes:

- All dimensions are in inches.
- John Crane type 21 or equal.
- One to 10 PSI above suction pressure.
- Impeller D8C1A: Weight=40.0 lbs.; eye area=60.60 sq.in.; WR²=2.6 lb.ft²; Impeller D8C1C: Weight=43.25 lbs.; Eye area=64.60 sq.in.; WR²=2.8 lb.ft².
- Refer to *Pump Parameters* in this section for more detailed information on maximum temperatures.

	5822				5823							
Pump Size (Discharge Size)	8	12	20	24	4	5	6	8	10	12	16	20
Suction Size	10	14	24	30	5	6	8	10	12	14	20	24
Nominal Wear Ring Clearance	.022	.027	.059	.060	.019	.019	.020	.022	.024	.027	.030	.030
Impeller:												
Weight (lbs)	80.7	137.0	510.0	675.0	61.0	58.0	64.0	62.0	118.0	278.0	(4)	615.0
Eye Area (sq. inches.)	59.10	107.00	362.85	375.74	24.40	31.80	49.20	64.40	89.40	149.00	(4)	317.77
WR ² (lb-ft ²)	9.20	32.50	315	451	2.00	1.30	2.30	2.80	18.20	45.40	(4)	419
Sphere Size (Maximum)	15/16	1	3/4	1 7/8	7/16	9/16	7/8	15/16	7/8	1 1/2	(4)	2 1/4
Shaft Diameter:												
at Impeller	2 3/16	2 11/16	5 1/2	5 1/4	1 11/16	1 11/16	2 3/16	2 3/16	2 3/4	3 7/8	5 5/32	5 1/2
at Sleeve	2 1/8	2 5/8	4 3/8	5 3/16	1 5/8	1 5/8	2 1/8	2 1/8	2 5/8	3 3/8	5 1/8	5 1/4
at Thrust/Radial Bearings	1.77	2.17	3 15/16	3 15/16	1.38	1.38	1.77	1.77	2.17	2.95	3.54	3.94
at Coupling	1 11/16	1 11/16	3 3/4	3 3/4	1 1/4	1 1/4	1 11/16	1 11/16	2	2 3/4	3 3/8	3 3/4
Center to Center of Bearings	3 11/16	3 7/16	5 7/16	6 3/8	2 5/16	2 5/16	3 1 5/8	3 1 5/8	3 5 1/2	4 6 1/16	4 2 3/4	5 5 1/2
Thrust Bearing No.	6309	6311	23220	23220	6307	6307	6309	6309	6311	6315	5318	23220
Radial Bearing No.	6309	6311	23220	23220	6307	6307	6309	6309	6311	6315	6318	23220
Sealing Box:												
Packing:												
Size	1/2	1/2	3/4	3/4	3/8	3/8	1/2	1/2	1/2	5/8	5/8	3/4
No. Rings per Box	5	5	6	7	5	5	5	5	6	6	6	6
Seal Cage Width	1	1	1 1/2	1 1/2	3/4	3/4	1	1	1	1 1/4	1 1/4	1 1/2
Mechanical Seal:												
Type (Standard)	(2)	(2)	(2)	(2)	(2)	(2)	(2)	(2)	(2)	(2)	(2)	(2)
Recommended flush water:												
Pressure	(3)	(3)	(3)	(3)	(3)	(3)	(3)	(3)	(3)	(3)	(3)	(3)
Flow (GPM)	1/2-1	1/2-1	1/2-1	1/2-1	1/2-1	1/2-1	1/2-1	1/2-1	1/2-1	1/2-1	1/2-1	1/2-1
Sleeve OD	2 1/2	3	5	5 13/16	1 7/8	1 7/8	2 1/2	2 1/2	3	3 7/8	5 13/16	6
Box ID	3 1/2	4	6 1/2	7 5/16	2 5/8	2 5/8	3 1/2	3 1/2	4	5 1/8	7 1/16	7 1/2
Box Depth	4	4	7 1/4	7 1/8	3	3	4	4	4 1/8	5 3/4	5 5/8	6 9/16
Box Inlet Tap Size (NPT)	1/4	1/4	1/2	1/2	1/4	1/4	1/4	1/4	1/4	3/8	3/8	1/2
Casing Drain Tap Size (NPT)	1/2	1	1 1/2	1 1/2	1/2	1/2	1/2	1/2	1	1	3/4	1 1/2
Vent/Priming Tap Size (NPT)	1	1	2	2	1/2	3/4	3/4	1	1	3/4	1 1/2	2
Gauge Tap Size												
Suction and Discharge (NPT)	1/4	1/4	3/8	1/4	1/4	1/4	1/4	1/4	1/4	1/4	1/4	1/4
Hydrostatic Test, PSI (6):	262	262	125	110	262	262	262	262	262	262	262	188
Casing Working, PSI (6):	175	175	100	75	175	175	175	175	175	175	175	125
Operating Temp. °F (6):	160	160	160	160	160	160	160	160	160	160	160	160
Nominal Casing Thickness	1/2	5/8	13/16	13/16	7/16	7/16	7/16	1/2	9/16	11/16	1	1
Anchor Bolt Size, recommended	1/2	1/2	1 1/2	1 1/2	1/2	1/2	1/2	1/2	1/2	1/2	1	1
Shipping Weight, Basic Pump Only (lbs.)	875	1900	7500	10200	520	670	900	935	1380	2710	5400	9600

Notes:

1. All dimensions are in inches.
2. John Crane type 21 or equal.
3. One to 10 PSI above suction pressure.
4. Impeller M16A1A: Weight=495 lbs.; Eye area=192.60 sq.in.; WR²=316 lb.ft²; Sphere size=7/8".
5. Impeller D8C1A: Weight=40.0 lbs.; Eye area=60.60 sq.in.; WR²=2.6 lb.ft²; Impeller D8C1C: Weight=43.25 lbs.; Eye area=64.60 sq.in.; WR²=2.8 lb.ft².
6. Refer to *Pump Parameters* in this section for more detailed information on maximum temperatures.

	5823			5824				5825		5826		
Pump Size (Discharge Size)	30	4	5	6	8	10	20	36	10	6	8	10
Suction Size	36	5	6	8	10	12	30	42	14	10	12	14
Nominal Wear Ring Clearance	.030	.019	.019	.020	.022	.024	.059	.060	.027	.022	.024	.027
Impeller:												
Weight (lbs)	1925.0	57.1	89.0	64.2	131.3	132.3	950.0	3450.0	376.0	172.0	174.0	RTF
Eye Area (sq. inches.)	815.40	23.60	30.40	51.60	62.80	99.40	394.29	1087.82	151.00	52.20	76.90	133.90
WR ² (lb-ft ²)	2814	12.7	12.6	15.2	21.9	35.6	918	9000	259.4	66.7	74.1	151.4
Sphere Size (Maximum)	2 3/4	3/8	5/8	7/8	1 1/16	1 5/16	2 1/4	2 1/4	1 7/16	7/8	1	1 3/8
Shaft Diameter:												
at Impeller	8	1 11/16	2 3/16	2 3/16	2 3/4	2 3/4	6	RTF	4 1/2	2 3/4	3 7/16	4 1/2
at Sleeve	7 7/8	1 5/8	2 1/8	2 1/8	2 5/8	2 5/8	5 3/4	RTF	4 3/8	2 5/8	3 3/8	4 3/8
at Thrust/Radial Bearings	5.91	1.38	1.77	1.77	2.17	2.17	4.725	RTF	3.94	2.17	2.95	4.13
at Coupling	5 1/2	1 1/4	1 11/16	1 11/16	2	2	4 1/4	RTF	3 1/2	2	2 3/4	3 15/16
Center to Center of Bearings	84 3/4	25 15/16	28 5/8	31 15/16	33 7/8	35 1/2	61	RTF	55 13/16	35 1/2	38 1/4	50 1/8
Thrust Bearing No.	22230	6307	6309	6309	6311	6311	22224	RTF	7220G	6311	6315	6221
Radial Bearing No.	22230	6307	6309	6309	6311	6311	22224	RTF	6220	6311	6315	6221
Sealing Box:												
Packing:												
Size	1	3/8	1/2	1/2	1/2	3/4	3/4	RTF	3/4	1/2	5/8	3/4
No. Rings per Box	6	5	5	5	5	6	5	RTF	8	7	7	6
Seal Cage Width	1 1/2	3/4	1	1	1	1	1 1/4	RTF	1 1/2	1	1 1/4	1 1/2
Mechanical Seal:												
Type (Standard)	(2)	(2)	(2)	(2)	(2)	(2)	(2)	(2)	(2)	(2)	(2)	(2)
Recommended flush water:												
Pressure	(3)	(3)	(3)	(3)	(3)	(3)	(3)	(3)	(3)	(3)	(3)	(3)
Flow (GPM)	1/2-1	1/2-1	1/2-1	1/2-1	1/2-1	1/2-1	1/2-1	1/2-1	1/2-1	1/2-1	1/2-1	1/2-1
Sleeve OD	8 3/4	1 7/8	2 1/2	2 1/2	3	3	6 1/2	RTF	5	3	3 7/8	5
Box ID	10 3/4	2 5/8	3 1/2	3 1/2	4	4	7 5/8	RTF	6 1/2	4	5 1/8	6 1/2
Box Depth	8 1/8	3	4	4	4 1/8	4 1/8	5 5/8	RTF	7 13/16	4 1/2	5 9/16	6 3/8
Box Inlet Tap Size (NPT)	1/2	1/4	1/4	1/4	1/4	1/4	1/2	1/2	1/2	1/4	1/4	1/4
Casing Drain Tap Size (NPT)	1 1/2	1/2	1/2	1/2	3/4	1	1 1/2	1 1/2	1	1	1	1
Vent/Priming Tap Size (NPT)	2	1/2	3/4	3/4	3/4	3/4	2	2	1	1/4	1/2	1
Gauge Tap Size Suction and Discharge (NPT)	1/4	1/4	1/4	1/4	1/4	1/4	1/4	1/4	3/8	1/4	1/4	3/8
Hydrostatic Test, PSI (4):	158	262	262	262	262	262	210	150	450	375	375	450
Casing Working, PSI (4):	105	175	175	175	175	175	140	100	300	250	250	300
Operating Temp. °F (4):	160	160	160	160	160	160	160	160	160	160	160	160
Nominal Casing Thickness	1 1/4	9/16	1 1/16	3/4	3/4	3/4	1 1/4	1 1/4	1 1/8	7/8	7/8	1 3/16
Anchor Bolt Size, recommended	1 5/8	1/2	1/2	1/2	1/2	1/2	1 1/8	1 7/8	1/2	1/2	1/2	1/2
Shipping Weight, Basic Pump Only (lbs.)	24300	620	880	945	1500	1700	12600	RTF	5750	1720	3220	5545

Notes:

1. All dimensions are in inches.
2. John Crane type 21 or equal.
3. One to 10 PSI above suction pressure.
4. Refer to *Pump Parameters* in this section for more detailed information on maximum temperatures.

Pump Model	5822A		5823A	5825A		
Discharge Size	20	30	24	20	24	30
Suction Size	24	36	30	30	36	36
Nominal Wear Ring Clearance (on Dia.)	RTF	RTF	RTF	RTF	RTF	RTF
Impeller:						
Weight (lbs)	RTF	RTF	RTF	RTF	RTF	RTF
Eye Area (in ²)	280	778	503	550	860	1238
WR ² (lb-ft ²)	RTF	RTF	RTF	RTF	RTF	RTF
Sphere Size (Maximum)	1.5	2.5	2.1	1.8	2.3	2.8
Shaft Diameter:						
at impeller	RTF	RTF	RTF	RTF	RTF	RTF
at sleeve	RTF	RTF	RTF	RTF	RTF	RTF
at Thrust/Radial Bearings	RTF	RTF	RTF	RTF	RTF	RTF
at Coupling	RTF	RTF	RTF	RTF	RTF	RTF
Center to Center of Bearings	RTF	RTF	RTF	RTF	RTF	RTF
Thrust Bearing No. (5)	RTF	RTF	RTF	RTF	RTF	RTF
Radial Bearing No. (5)	RTF	RTF	RTF	RTF	RTF	RTF
Sealing Box:						
Packing:						RTF
Size	RTF	RTF	RTF	RTF	RTF	RTF
No. of Rings per Box	RTF	RTF	RTF	RTF	RTF	RTF
Seal Cage Width	RTF	RTF	RTF	RTF	RTF	RTF
Mechanical Seal:						RTF
Type (Standard)	RTF	RTF	RTF	RTF	RTF	RTF
Recommended flush water:						RTF
Pressure	RTF	RTF	RTF	RTF	RTF	
Flow (GPM)	RTF	RTF	RTF	RTF	RTF	
Sleeve OD	RTF	RTF	RTF	RTF	RTF	RTF
Box ID	RTF	RTF	RTF	RTF	RTF	RTF
Box Depth	RTF	RTF	RTF	RTF	RTF	RTF
Box Inlet Tap Size (NPT)	RTF	RTF	RTF	RTF	RTF	
Casing Drain Tap Size (NPT)	RTF	RTF	RTF	RTF	RTF	RTF
Vent/Priming Tap Size (NPT)	RTF	RTF	RTF	RTF	RTF	
Gauge Tap Size						RTF
Suction and Discharge (NPT)	RTF	RTF	RTF	RTF	RTF	RTF
Hydrostatic Test, PSI (4):	RTF	RTF	RTF	RTF	RTF	RTF
Casing Working Pressure (4):	RTF	RTF	RTF	RTF	RTF	RTF
Operating Temperature °F (4):	RTF	RTF	RTF	RTF	RTF	RTF
Nominal Casing Thickness	RTF	RTF	RTF	RTF	RTF	RTF
Anchor Bolt Size, recommended	RTF	RTF	RTF	RTF	RTF	RTF
Shipping Weight, Basic Pump Only (lbs)	RTF	RTF	RTF	RTF	RTF	RTF

Notes:

1. All dimensions are in inches.
2. John Crane Type 21 or equal.
3. One (1) to Ten (10) PSI above suction pressure
4. Refer to pump parameters in this section for more detailed information on maximum temperature.
5. Minimum L10 bearing life = 100,000 hours

Pump Model	5826A			
Discharge Size	20	24	30	36
Suction Size	24	30	36	42
Nominal Wear Ring Clearance (on Dia.)	.025	.030	.030	.030
Impeller:				
Weight (lbs)	406	750	1025	1480
Eye Area (in ²)	360	563	706	904
WR ² (lb-ft ²)	306	863	1482	2810
Sphere Size (Maximum)	3.0	3.8	4.2	4.8
Shaft Diameter:				
at impeller	5.375	6.500	7.375	8.125
at sleeve	5.250	6.375	7.250	8.000
at Thrust/Radial Bearings	5.118	5.905	7.087	7.874
at Coupling	4.875	5.875	6.875	7.750
Center to Center of Bearings	49.00	61.25	68.56	78.38
Thrust Bearing No. (5)	23226	22230	22236	22240
Radial Bearing No. (5)	23226	22230	22236	22240
Sealing Box:				
Packing:				
Size	¾	¾	¾	¾
No. of Rings per Box	5	5	5	5
Seal Cage Width	1¼	1¼	1¼	1¼
Mechanical Seal:				
Type (Standard)	(2)	(2)	(2)	(2)
Recommended flush water:				
Pressure	(3)	(3)	(3)	(3)
Flow (GPM)	2-4	3-5	4-6	6-8
Sleeve OD	6.000	7.250	8.000	8.750
Box ID	7.500	8.750	9.500	10.250
Box Depth	6	6	6	6
Box Inlet Tap Size (NPT)	½	½	½	½
Casing Drain Tap Size (NPT)	1	1	1½	1½
Vent/Priming Tap Size (NPT)	1	1	1½	1½
Gauge Tap Size				
Suction and Discharge (NPT)	½	½	½	½
Hydrostatic Test, PSI (4):	290	290	290	290
Casing Working Pressure (4):	193	193	193	193
Operating Temperature °F (4):	160	160	160	160
Nominal Casing Thickness	1.250	1.375	1.50	1.63
Anchor Bolt Size, recommended	1½	1½	1½	1½
Shipping Weight, Basic Pump Only (lbs)	10500	17000	23500	33500

Notes:

6. All dimensions are in inches.
7. John Crane Type 21 or equal.
8. One (1) to Ten (10) PSI above suction pressure
9. Refer to pump parameters in this section for more detailed information on maximum temperature.
10. Minimum L10 bearing life = 100,000 hours

	5874				5876				
Pump Size (Discharge Size)	2	3	4	5	2	3	4	5	6
Suction Size	3	4	5	6	3	4	6	8	10
Nominal Wear Ring Clearance	.018	.018	.018	.019	.018	.018	.018	.018	.018
Impeller:									
Weight (lbs)	17.0	18.0	24.3	45.0	24.5	26.0	21.0	27.5	26.8
Eye Area (sq. inches.)	8.80	10.60	16.60	24.20	7.20	13.00	21.90	24.70	46.70
WR ² (lb-ft ²)	1.13	1.07	1.44	2.7	1.8	1.9	1.53	2.1	2.1
Sphere Size (Maximum)	1/4	7/16	1/2	9/16	1/4	7/16	1/2	5/8	5/8
Shaft Diameter:									
at Impeller	1 5/16	1 5/16	1 9/16	1 11/16	1 5/16	1 9/16	1 5/8	2 1/8	2 1/8
at Sleeve	1 1/4	1 1/4	1 1/2	1 5/8	1 1/4	1 1/2	1 5/8	2 1/8	2 1/8
at Thrust/Radial Bearings	.98	.98	1.18	1.38	.98	1.18	1.38	1.77	1.77
at Coupling	7/8	7/8	1 1/16	1 1/4	7/8	1 1/16	1 1/4	1 5/8	1 5/8
Center to Center of Bearings	16 9/16	19 5/16	20 1/4	25 7/16	19 13/16	22 1/8	22 7/8	27 3/8	28 5/8
Thrust Bearing No.	6305	6305	6306	6307	6305	6306	6307	6309	6309
Radial Bearing No.	6305	6305	6306	6307	6305	6306	6307	6309	6309
Sealing Box:									
Packing:									
Size	5/16	3/8	3/8	3/8	3/8	3/8	3/8	1/2	1/2
No. Rings per Box	5	5	5	5	5	5	6	6	6
Seal Cage Width	5/8	3/4	3/4	3/4	3/4	3/4	3/4	1	1
Mechanical Seal:									
Type (Standard)	(2)	(2)	(2)	(2)	(2)	(2)	(2)	(2)	(2)
Recommended flush water:									
Pressure	(3)	(3)	(3)	(3)	(3)	(3)	(3)	(3)	(3)
Flow (GPM)	1/2-1	1/2-1	1/2-1	1/2-1	1/2-1	1/2-1	1/2-1	1/2-1	1/2-1
Sleeve OD	1 1/2	1 1/2	1 3/4	1 7/8	1 1/2	1 3/4	1 7/8	2 1/2	2 1/2
Box ID	2 1/8	2 1/4	2 1/2	2 5/8	2 1/4	2 1/2	2 5/8	3 1/2	3 1/2
Box Depth	2 3/16	2 13/16	2 13/16	3	2 13/16	2 13/16	3 1/4	4 1/8	4 1/8
Box Inlet Tap Size (NPT)	1/4	1/4	1/4	1/4	1/4	1/4	—	—	—
Casing Drain Tap Size (NPT)	1/4	1/2	1/2	1/2	3/8	3/8	1/2	1/2	1/2
Vent/Priming Tap Size (NPT)	3/8	1/2	1/2	3/4	1/2	1/2	1/2	1/2	1/2
Gauge Tap Size									
Suction and Discharge (NPT)	1/4	1/4	1/4	1/4	1/4	1/4	1/4	1/4	1/4
Hydrostatic Test, PSI (4):	262	262	262	262	262	262	450	450	450
Casing Working, PSI (4):	175	175	175	175	175	175	300	300	300
Operating Temp. °F (4):	160	160	160	160	160	160	160	160	160
Nominal Casing Thickness	3/8	3/8	3/8	7/16	7/16	7/16	9/16	5/8	5/8
Anchor Bolt Size, recommended	1/2	1/2	1/2	1/2	1/2	1/2	1/2	1/2	1/2
Shipping Weight, Basic Pump Only (lbs.)	185	225	300	415	245	315	400	495	610

Notes:

1. All dimensions are in inches.
2. John Crane type 21 or equal.
3. One to 10 PSI above suction pressure.
4. Refer to *Pump Parameters* in this section for more detailed information on maximum temperatures.

Standard Fitted (SF) Pumps

Ref. No.	Description	Material	Specification (1)
1	Impeller	Bronze	B584 AL836 or AL875 (2)
2	Casing, lower half	Cast Iron	A48 CL30
3	Casing, upper half	Cast Iron	A48 CL30
4	Shaft	Steel	A311, Class B, Grade 1141 or 1144 (2)
5	Arm, bearing	Cast Iron	A48 CL30
6	Cap, bearing housing	Cast Iron	A48 CL30
10	Ring half, seal water	Teflon	Teflon
14	Sleeve, shaft	Bronze	B505 AL932
16	Wear ring, casing	Bronze	B505 AL932
17	Wear ring, impeller(3)	Bronze	B505 AL932
19	Gland	Bronze	B584 AL836
20	Washer, stuffing box	Stainless Steel	AISI 304
A20	O-ring, sleeve	Rubber	Commercial
B20	O-ring, bearing housing cover	Rubber	Commercial
47	Spacer, sleeve	Bronze	B505 AL932
70	Spacer, bearing	Steel	Commercial
95	Bushing, stuffing box	Cast Iron	A48 CL30
102	Key, impeller	Steel	A108 GR1018
118	End cap, bearing housing	Steel	Commercial
126	Deflector	Rubber	Neoprene
157	Gasket, casing	Sheet Packing	D1170 P3313B
158	Housing, bearing	Cast Iron	A48-CL30
158A	Lip seal	Steel & Rubber	Commercial
158B	Pin, dowel	Steel	Commercial
A158	Housing, thrust bearing	Cast Iron	A48 CL30
B158	Housing, radial bearing	Cast Iron	A48 CL30
159	Cover, bearing housing	Cast Iron	A48 CL30
159A	Lip seal	Steel & Rubber	Commercial
A159	Cover, thrust bearing housing outer	Cast Iron	A48-CL30
B159	Cover, thrust bearing housing inner	Cast Iron	A48-CL30
C159	Cover, radial bearing housing inner	Cast Iron	A48-CL30
D159	Cover, radial bearing housing outer	Cast Iron	A48-CL30
D159A	Lip seal	Steel & Rubber	Commercial
161	Locknut, bearing	Steel	Commercial
162	Lockwasher, bearing	Steel	Commercial
163	Bearing, radial	Steel	Commercial
168	Bearing, thrust	Steel	Commercial
168A	Snap-ring, bearing	Steel	SAE 1075
212	Packing	Synthetic Packing, Graphite Impregnated	—
213	Nuts, shaft sleeve	Bronze	B505 AL932
272	Key, coupling	Steel	A108 GR1018
311	Ring, gland	Bronze	B504 AL836
345	Snap ring, bearing	Steel	—

Options to Basic Pump

Ref. No.	Description	Material	Specification (1)
31	Gland, solid	Cast Iron	A48 CL30
456	Mechanical seal	—	(2) (4)

See notes on page 094.

Standard Fitted (SF) Pumps
20" and Larger Horizontal Split Case

Ref. No.	Description	Material	Specification (1)
1	Impeller	Bronze	B584 AL836 or AL875(2)
2	Casing, lower half	Ductile Iron	A536 CL 60-40-18
3	Casing, upper half	Ductile Iron	A536 CL 60-40-18
4	Shaft	Steel	A311, Class B, Grade 1141 or 1144(2)
5	Arm, Bearing	Cast Iron	A48 CL30
6A	Cap, bearing housing	Cast Iron	A48 CL30
10	Ring, Lantern, seal water	Brass	B584 C83600
14	Sleeve, shaft	Bronze	B505 AL932
16	Wear ring, casing	Bronze	B505 AL932
17	Wear ring, impeller	Bronze	B505 AL932
19	Gland	Bronze	B584 AL836
A20	'O' Ring, sleeve	Rubber	Commercial
B20	'O' Ring, bearing housing	Rubber	Commercial
95	Bushing, stuffing box	Brass	B584 C83600
102	Key, impeller	Steel	A108 GR1018
118	Plug, bearing housing cover, outer	Steel	Commercial
126	Deflector	Rubber	Neoprene
157	Gasket, casing	Sheet Packing	D1170 P3313B
158	Housing, bearing	Cast Iron	A48 CL30
158B	Pin, dowel	Steel	Commercial
159	Cover, bearing housing, inner	Cast Iron	A48 CL30
159A	Lip seal, bearing housing cover	Rubber/Steel	Commercial
160A	Cover, thrust bearing housing, outer	Cast Iron	A48 CL30
160B	Cover, radial bearing housing, outer	Cast Iron	A48 CL30
160C	Lip seal, cover radial bearing, outer	Rubber/Steel	Commercial
160D	Grease nipple	Steel	Commercial
161	Lock nut, bearing	Steel	Commercial
162	Lock washer, bearing	Steel	Commercial
163	Bearing, radial, spherical roller	Steel	Commercial
168	Bearing, thrust, spherical roller	Steel	Commercial
212	Packing, (5) rings	Synthetic	Graphite impregnated
213	Nut, shaft sleeve	Bronze	B505 AL932
272	Key, Coupling	Steel	

Options to Basic Pump

Ref. No.	Description	Material	Specification (1)
31	Gland, Solid	Cast iron	A48 CL30
48	Mechanical Seal		(2)

Notes: (1) All material designations are ASTM unless otherwise noted and are for description of chemistry only.
(2) Manufacturer's option.

All Iron (AI) Fitted

Ref. No.	Description	Material	Specification (1)
1	Impeller	Cast Iron	A48 CL30
2	Casing, lower half	Cast Iron	A48 CL30
3	Casing, upper half	Cast Iron	A48 CL30
4	Shaft	Steel	A311, Class B, Grade 1141 or 1144 (2)
5	Arm, bearing	Cast Iron	A48 CL30
6	Cap, bearing housing	Cast Iron	A48 CL30
10	Ring half, seal water	Teflon	Teflon
14	Sleeve, shaft	Stainless Steel	A582 -416
16	Wear ring, casing	Cast Iron	A48 CL30
17	Wear ring, impeller(3)	Cast Iron	A48 CL30
19	Gland	Cast Iron	A48 CL30
20	Washer, stuffing box	Stainless Steel	AISI 304
A20	O-ring, sleeve	Rubber	Commercial
B20	O-ring, bearing housing cover	Rubber	Commercial
47	Spacer, sleeve	Steel	Commercial
70	Spacer, bearing	Steel	Commercial
95	Bushing, stuffing box	Steel	Commercial
102	Key, impeller	Steel	A108 GR1018
118	End cap, bearing housing	Steel	Commercial
126	Deflector	Rubber	Neoprene
157	Gasket, casing	Sheet Packing	D1170 P3313B
158	Housing, bearing	Cast Iron	A48-CL30
158A	Lip seal	Steel & Rubber	Commercial
158B	Pin, dowel	Steel	Commercial
A158	Housing, thrust bearing	Cast Iron	A48 CL30
B158	Housing, radial bearing	Cast Iron	A48 CL30
159	Cover, bearing housing	Cast Iron	A48 CL30
159A	Lip seal	Steel & Rubber	Commercial
A159	Cover, thrust bearing housing outer	Cast Iron	A48-CL30
B159	Cover, thrust bearing housing inner	Cast Iron	A48-CL30
C159	Cover, radial bearing housing inner	Cast Iron	A48-CL30
D159	Cover, radial bearing housing outer	Cast Iron	A48-CL30
D159A	Lip seal	Steel & Rubber	Commercial
161	Locknut, bearing	Steel	Commercial
162	Lockwasher, bearing	Steel	Commercial
163	Bearing, radial	Steel	Commercial
168	Bearing, thrust	Steel	Commercial
168A	Snap-ring, bearing	Steel	SAE 1075
212	Packing	Synthetic Packing, Graphite Impregnated	—
213	Nuts, shaft sleeve	Steel	Commercial
272	Key, coupling	Steel	A108 GR1018
311	Ring, gland	Cast Iron	A48 CL30
345	Snap ring, bearing	Steel	—

Options to Basic Pump

Ref. No.	Description	Material	Specification (1)
31	Gland, solid	Cast Iron	A48 CL30
456	Mechanical seal	—	(2) (4)

See notes on page 094.

All Bronze (AB) Fitted

Ref. No.	Description	Material	Specification (1)
1	Impeller	Bronze	B584 AL836 or AL875 (2)
2	Casing, lower half	Bronze	B584 AL836 or AL875 (2)
3	Casing, upper half	Bronze	B584 AL836 or AL875 (2)
4	Shaft	Stainless Steel	A582-416
5	Arm, bearing	Cast Iron	A48 CL30
6	Cap, bearing housing	Cast Iron	A48 CL30
10	Ring half, seal water	Teflon	Teflon
14	Sleeve, shaft	Bronze	B505 AL932
16	Wear ring, casing	Bronze	B505 AL932
17	Wear ring, impeller(3)	Bronze	B505 AL932
19	Gland	Bronze	B584 AL836
20	Washer, stuffing box	Stainless Steel	AISI 304
A20	O-ring, sleeve	Rubber	Commercial
B20	O-ring, bearing housing cover	Rubber	Commercial
47	Spacer, sleeve	Bronze	B505 AL932
70	Spacer, bearing	Steel	Commercial
95	Bushing, stuffing box	Bronze	B505 AL932 (4)
102	Key, impeller	Steel	A108 GR1018
118	End cap, bearing housing	Steel	Commercial
126	Deflector	Rubber	Neoprene
157	Gasket, casing	Sheet Packing	D1170 P3313B
158	Housing, bearing	Cast Iron	A48-CL30
158A	Lip seal	Steel & Rubber	Commercial
158B	Pin, dowel	Steel	Commercial
A158	Housing, thrust bearing	Cast Iron	A48 CL30
B158	Housing, radial bearing	Cast Iron	A48 CL30
159	Cover, bearing housing	Cast Iron	A48 CL30
159A	Lip seal	Steel & Rubber	Commercial
A159	Cover, thrust bearing housing outer	Cast Iron	A48-CL30
B159	Cover, thrust bearing housing inner	Cast Iron	A48-CL30
C159	Cover, radial bearing housing inner	Cast Iron	A48-CL30
D159	Cover, radial bearing housing outer	Cast Iron	A48-CL30
D159A	Lip seal	Steel & Rubber	Commercial
161	Locknut, bearing	Steel	Commercial
162	Lockwasher, bearing	Steel	Commercial
163	Bearing, radial	Steel	Commercial
168	Bearing, thrust	Steel	Commercial
168A	Snap-ring, bearing	Steel	SAE 1075
212	Packing	Synthetic Packing, Graphite Impregnated	—
213	Nuts, shaft sleeve	Bronze	B505 AL932
272	Key, coupling	Steel	A108 GR1018
311	Ring, gland	Bronze	B504 AL836
345	Snap ring, bearing	Steel	—

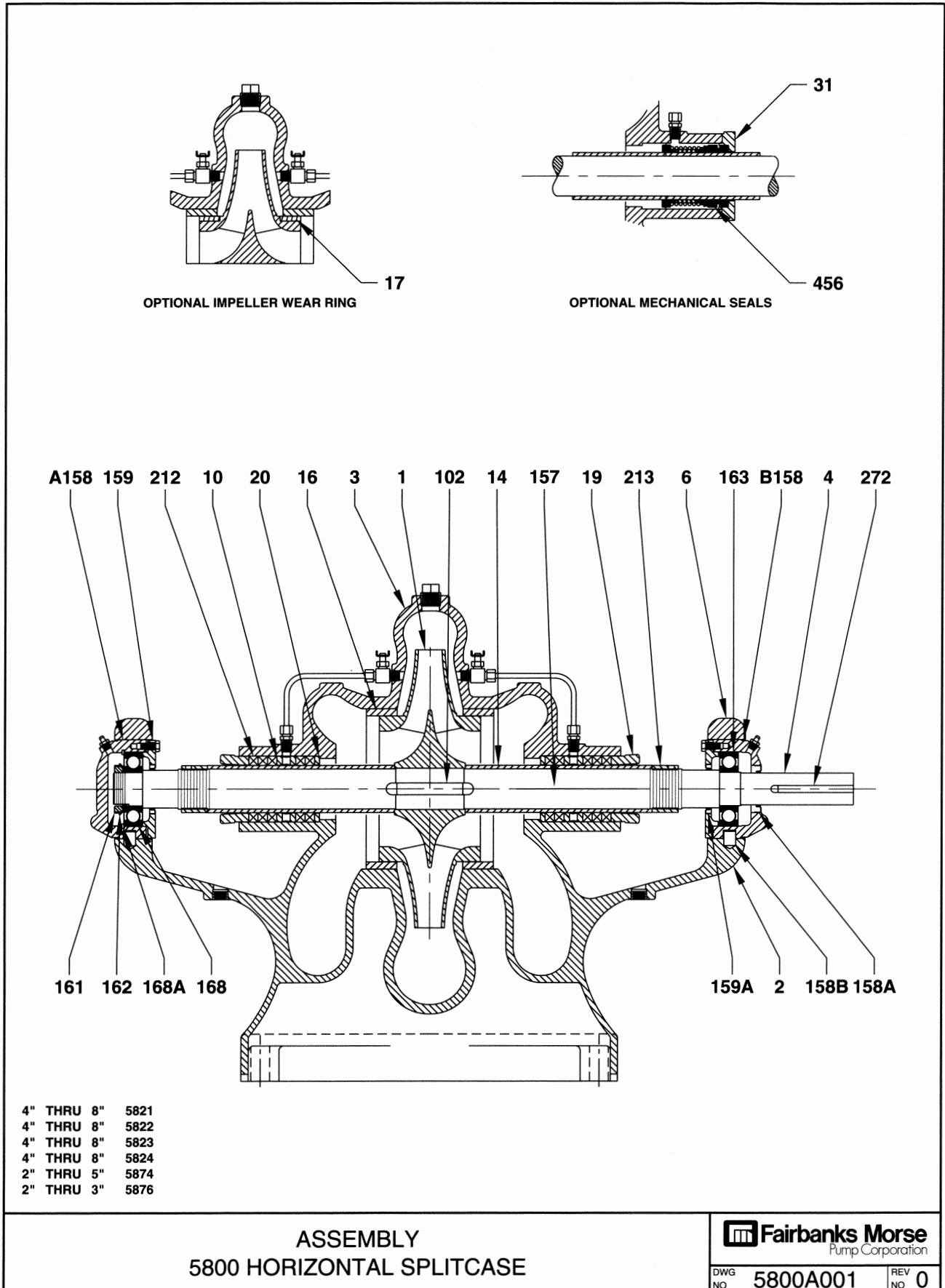
Options to Basic Pump

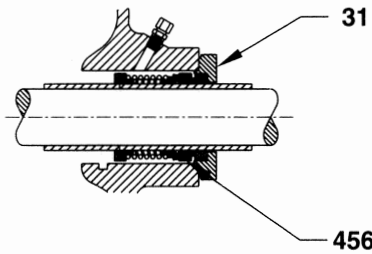
Ref. No.	Description	Material	Specification (1)
31	Gland, solid	Bronze	B584 AL836
456	Mechanical seal	—	(2) (5)

See notes on page 094.

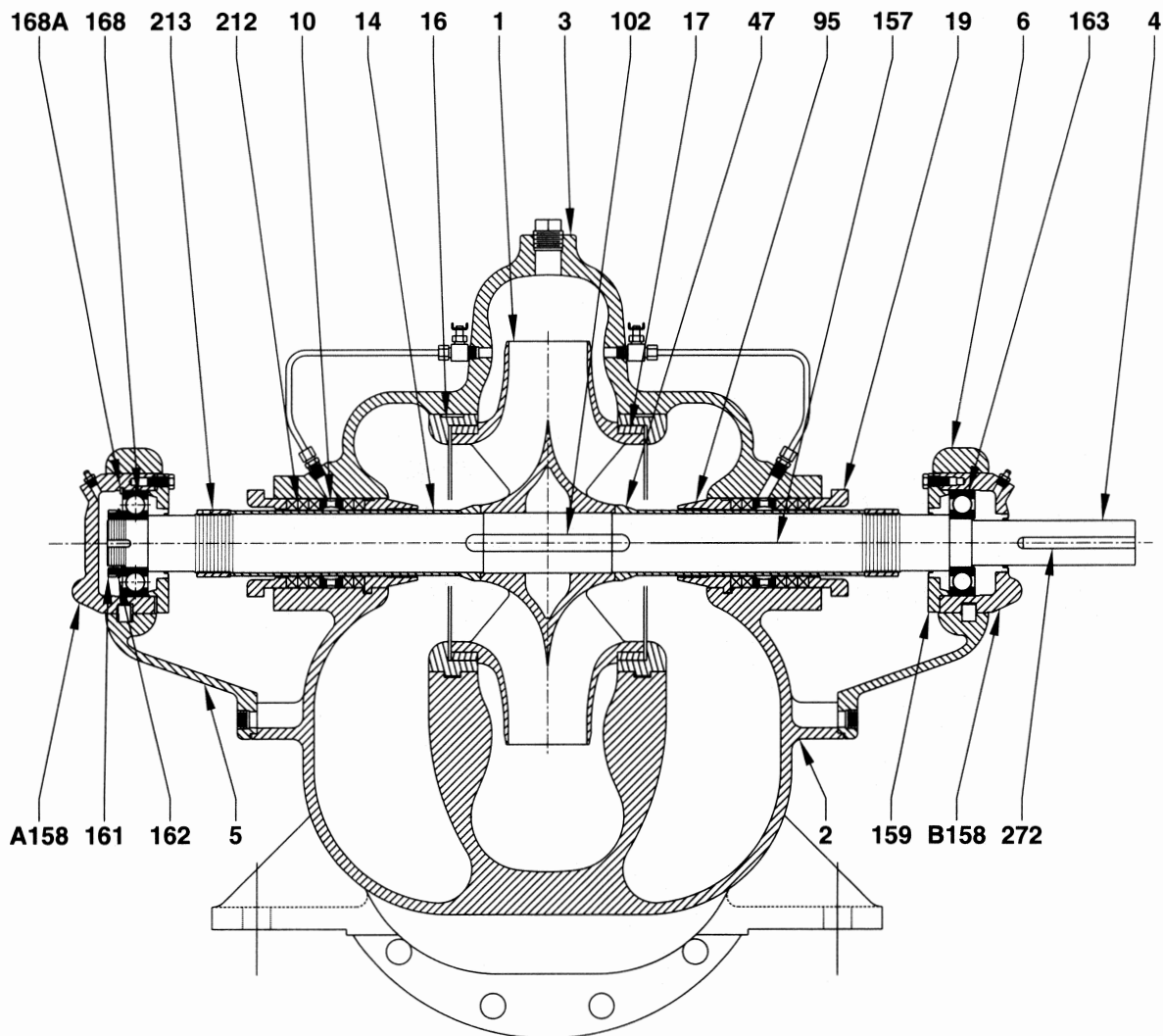
Notes:

- (1) All material designations are ASTM unless otherwise noted, and are for description of chemistry only.
- (2) Manufacturer's option.
- (3) Separate impeller wear ring is standard construction on 12" 5822, 10" 5825, 6", 8" & 10" 5826, and units 16" and larger.
Pumps with separate impeller wear rings are field replaceable. Integral impeller wear rings can be machined to accept separate wear rings.
- (4) Tongue and groove stuffing box bushing is B584 AL836 bronze.
- (5) Bronze sleeves and solid steel glands are standard when optional mechanical seals are furnished.





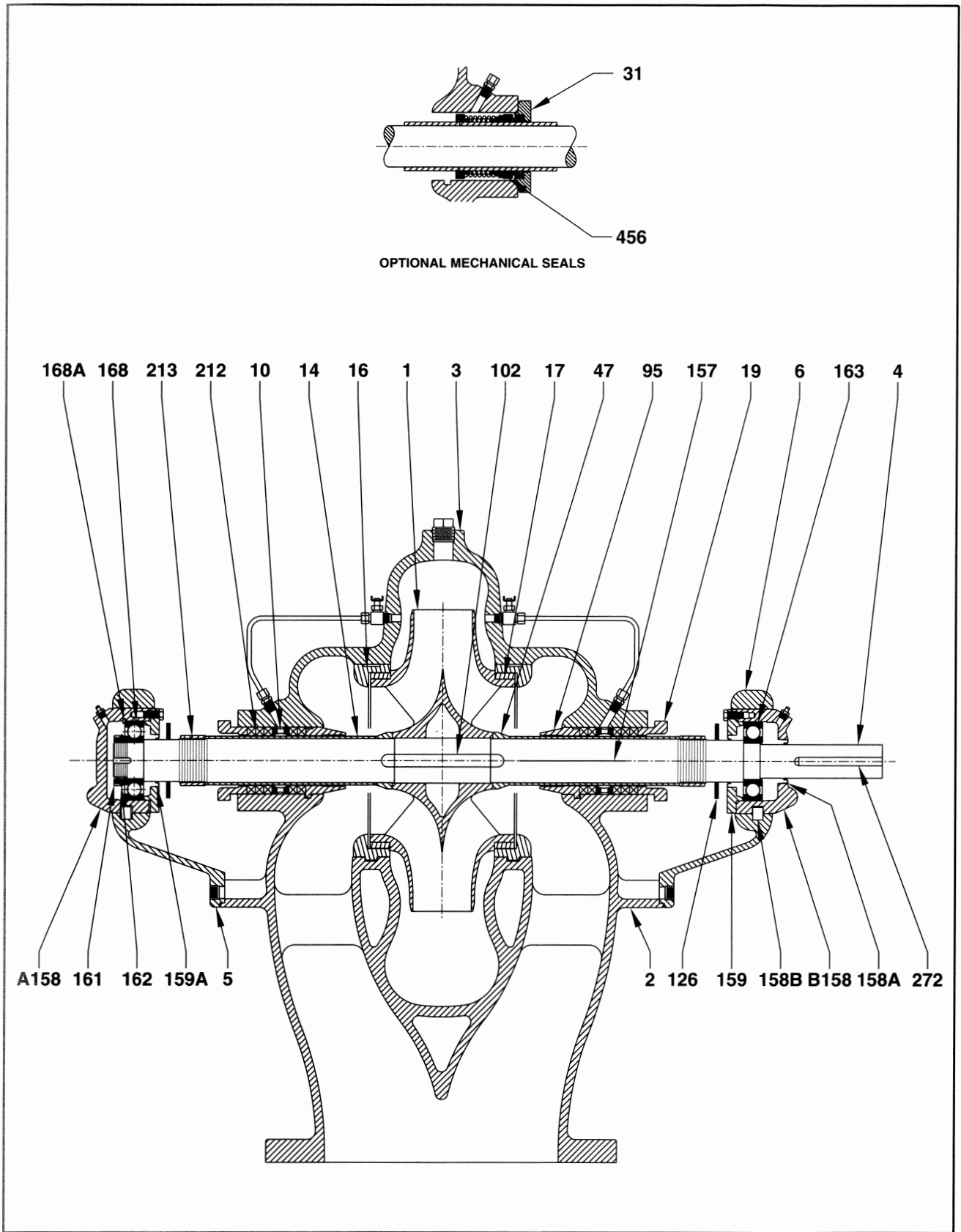
OPTIONAL MECHANICAL SEALS



ASSEMBLY
12" 5822

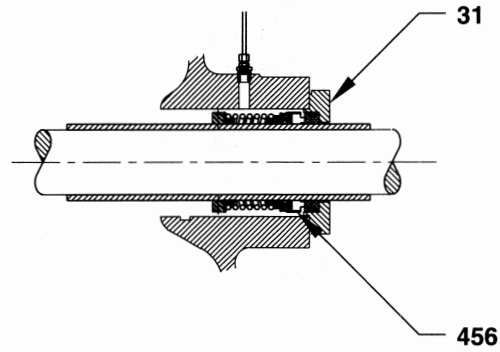


DWG NO 5800A003 REV NO 0

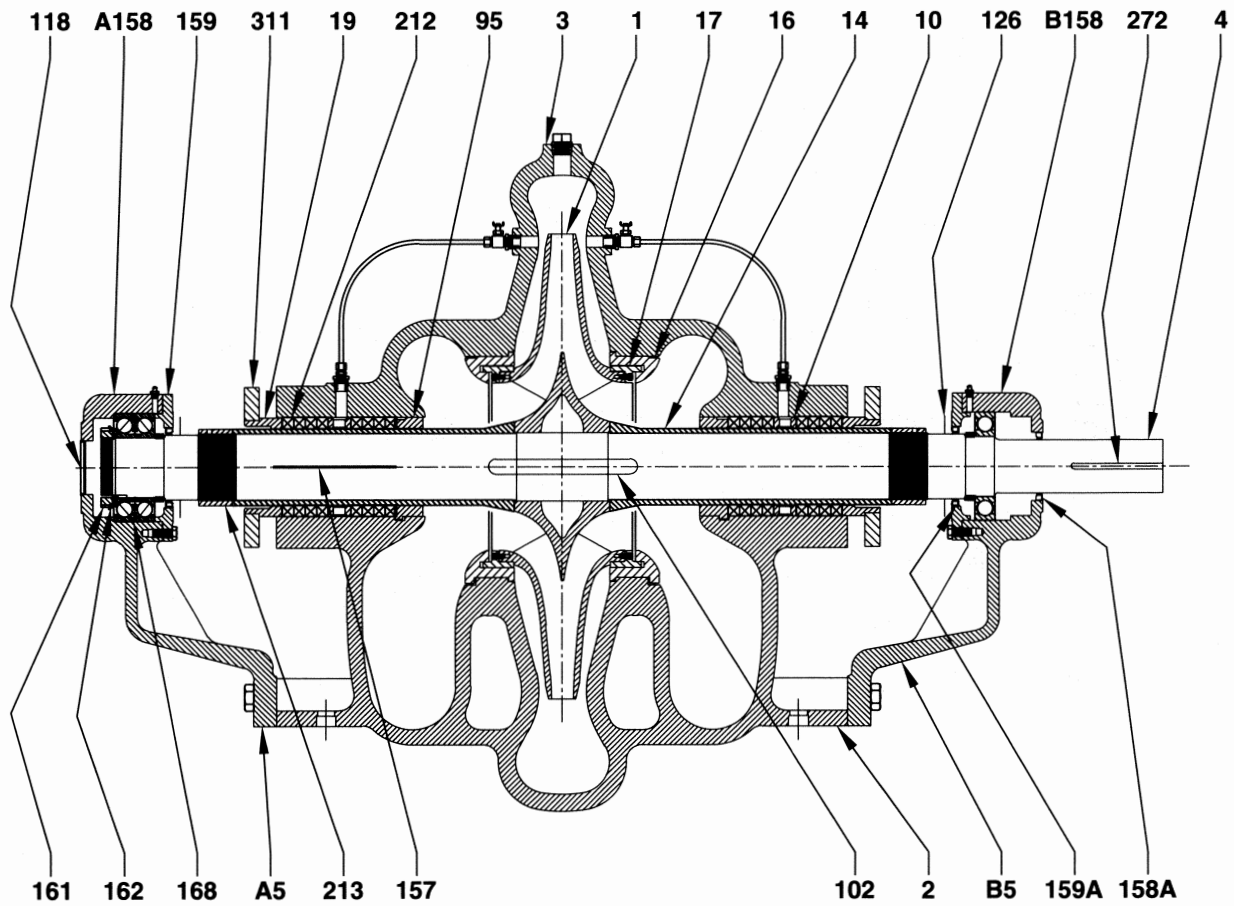


ASSEMBLY
12" 5822 BOTTOM SUCTION

DWG NO	5800A004
REV NO	0

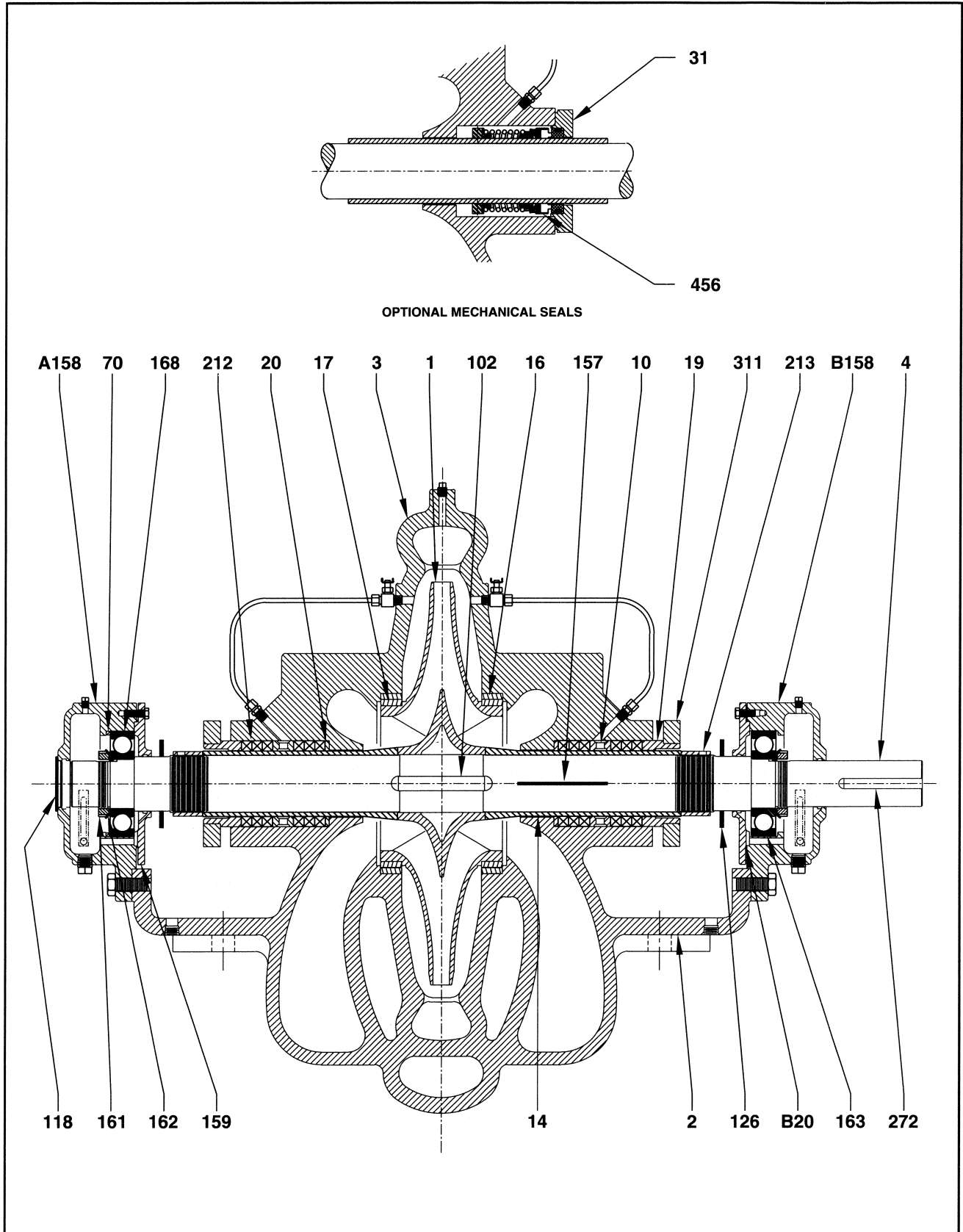


OPTIONAL MECHANICAL SEALS



ASSEMBLY
10" 5825

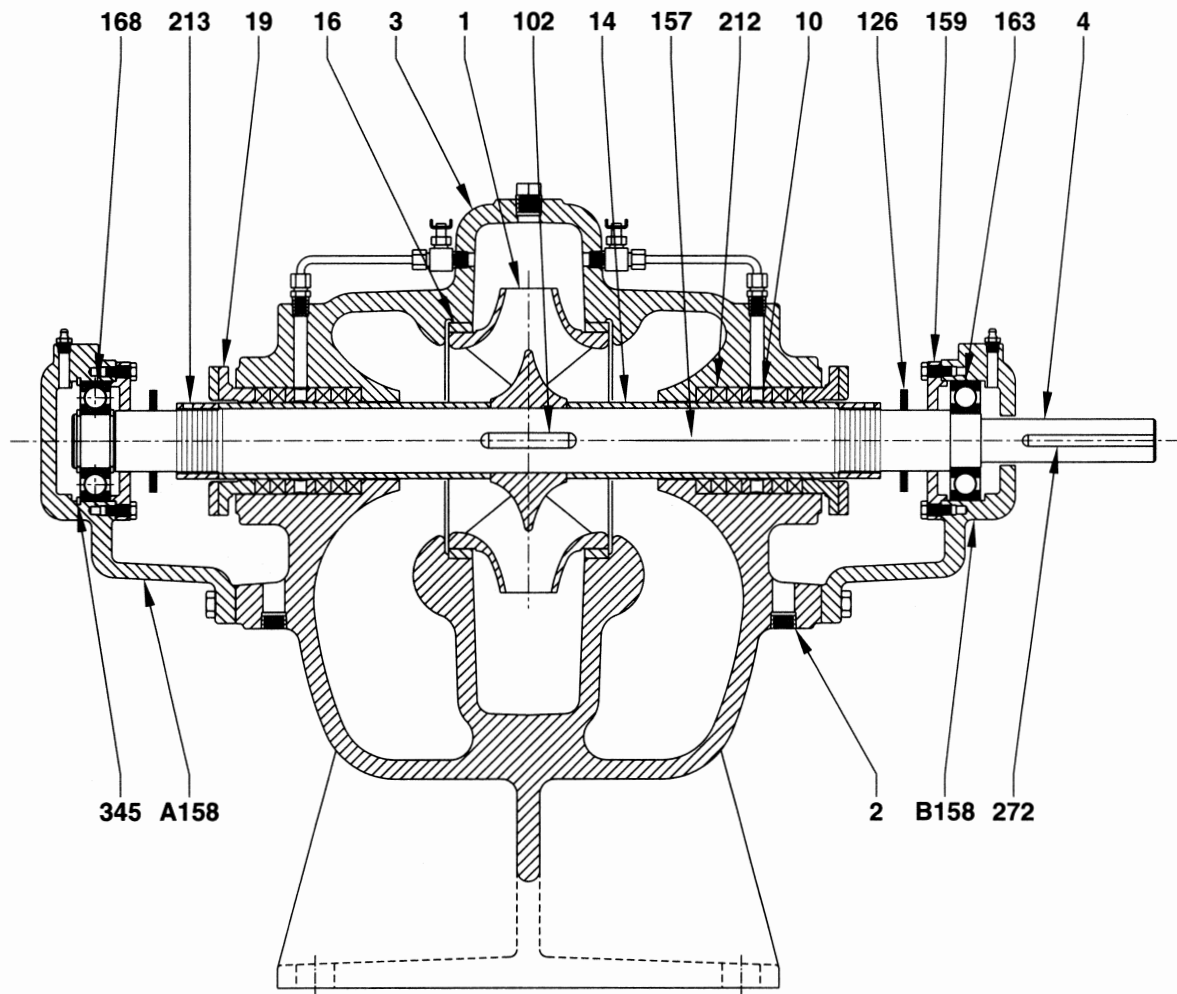
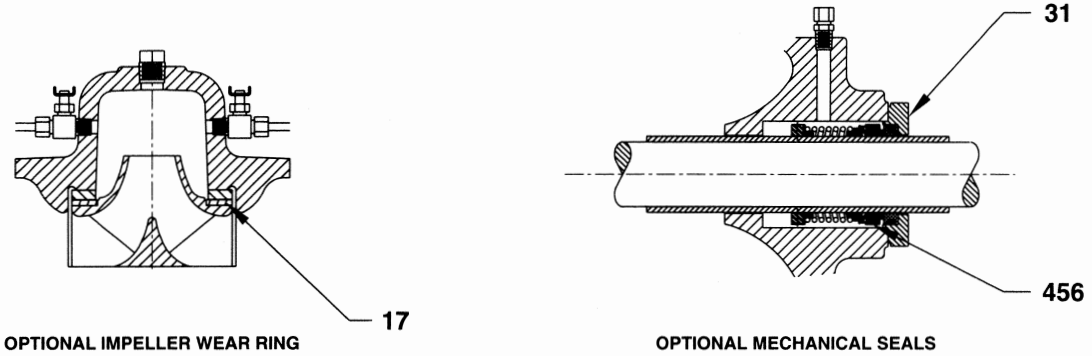
DWG NO	5800A005
REV NO	1



ASSEMBLY
5826 HORIZONTAL SPLITCASE PUMPS



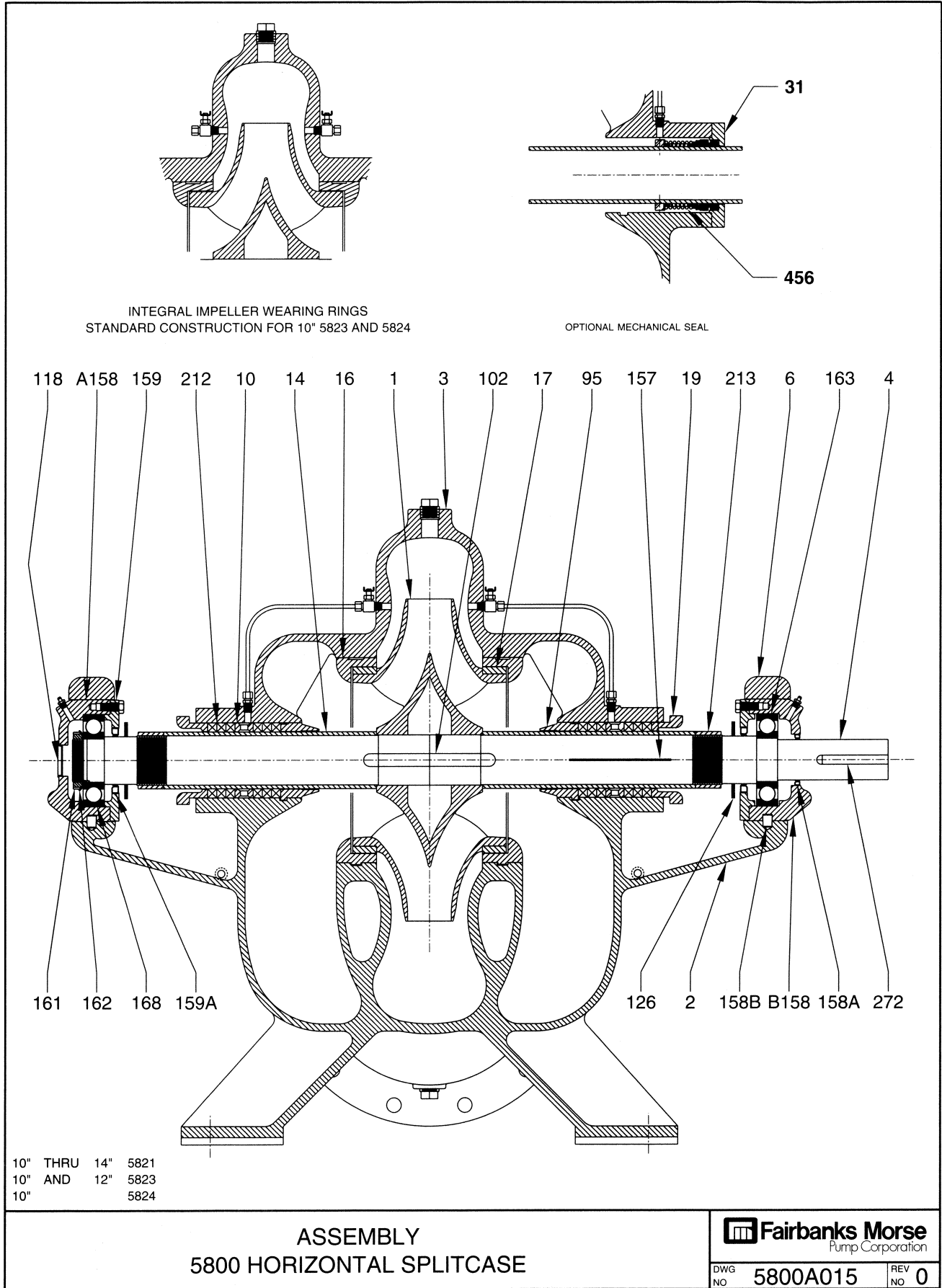
DWG NO	5800A007	REV NO	1
--------	-----------------	--------	----------

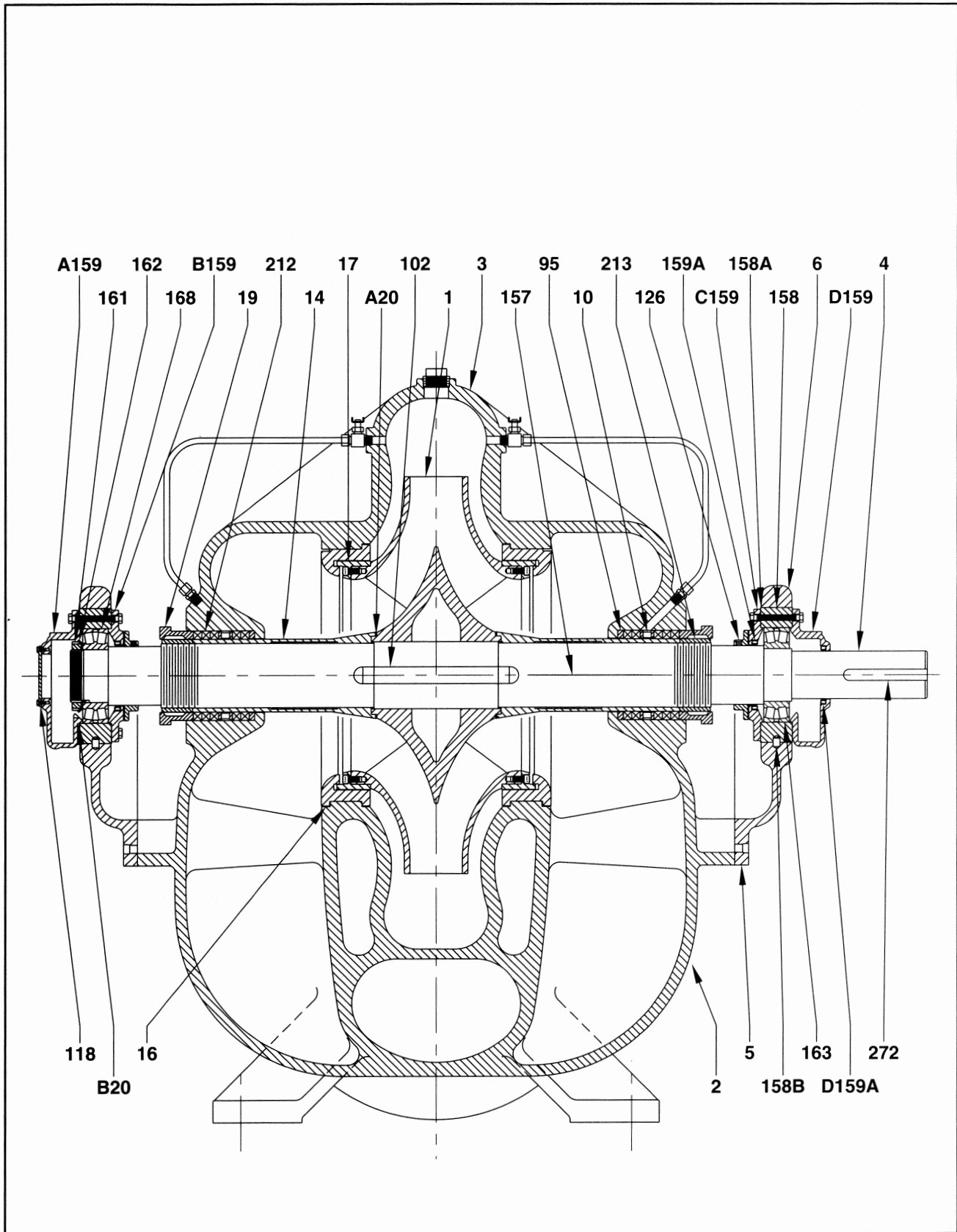


ASSEMBLY
4", 5", AND 6" 5876A

Fairbanks Morse
Pump Corporation

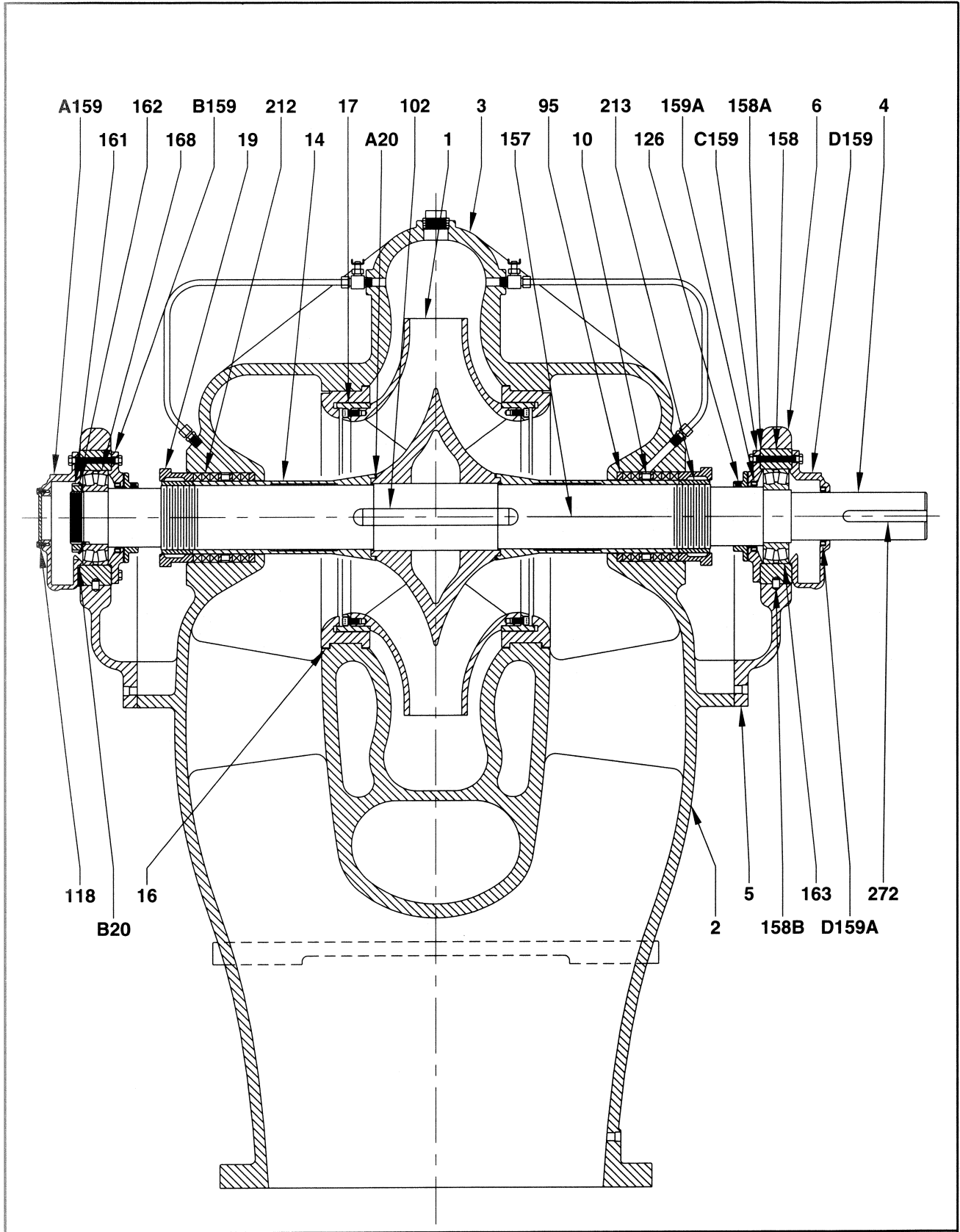
DWG NO	5800A009	REV NO	0
--------	----------	--------	---





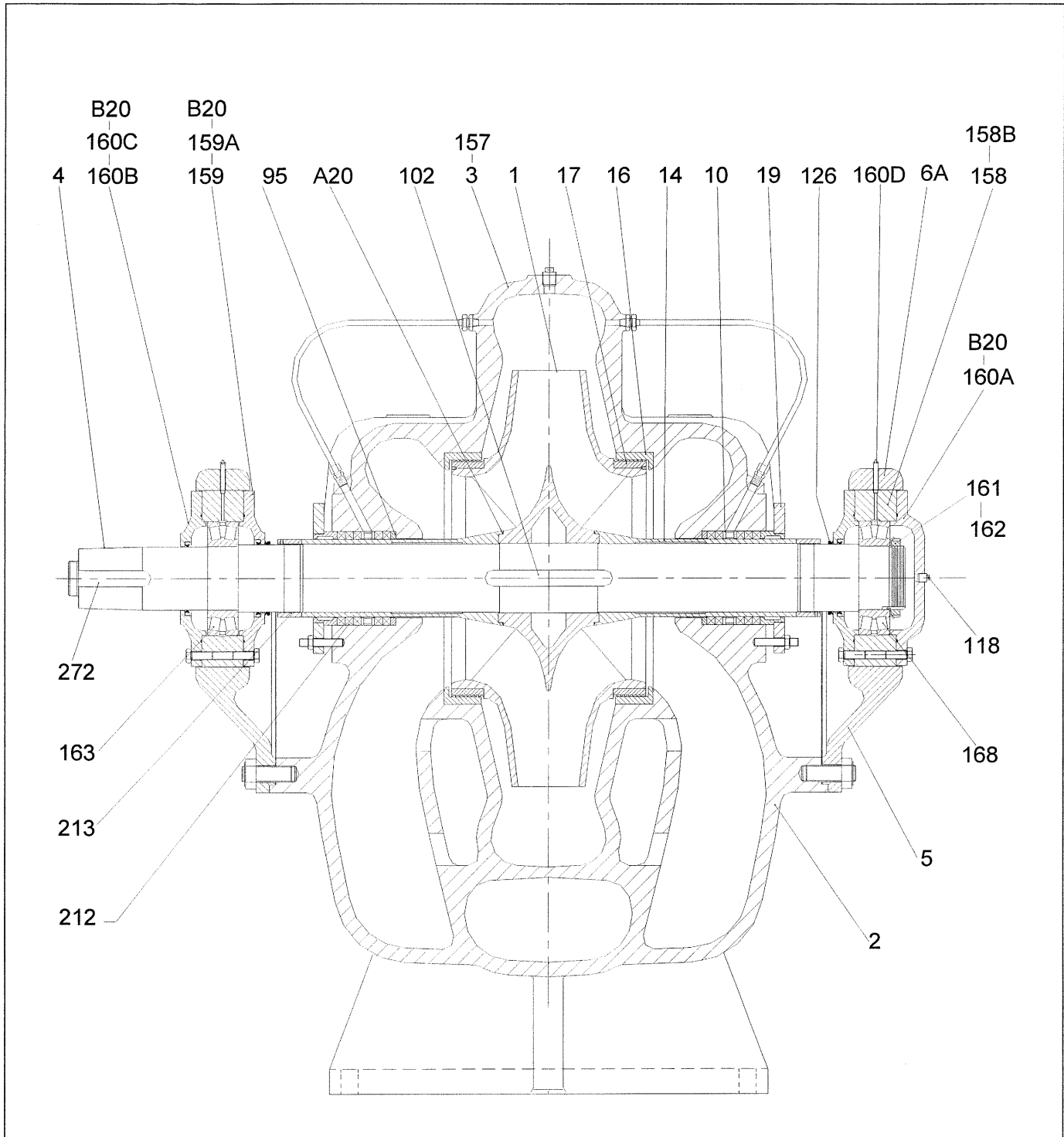
ASSEMBLY
16" AND LARGER SPLITCASE

DWG NO	5800A011
REV NO	0



ASSEMBLY
16" AND LARGER BOTTOM SUCTION SPLITCASE

DWG NO	5800A013
REV NO	0

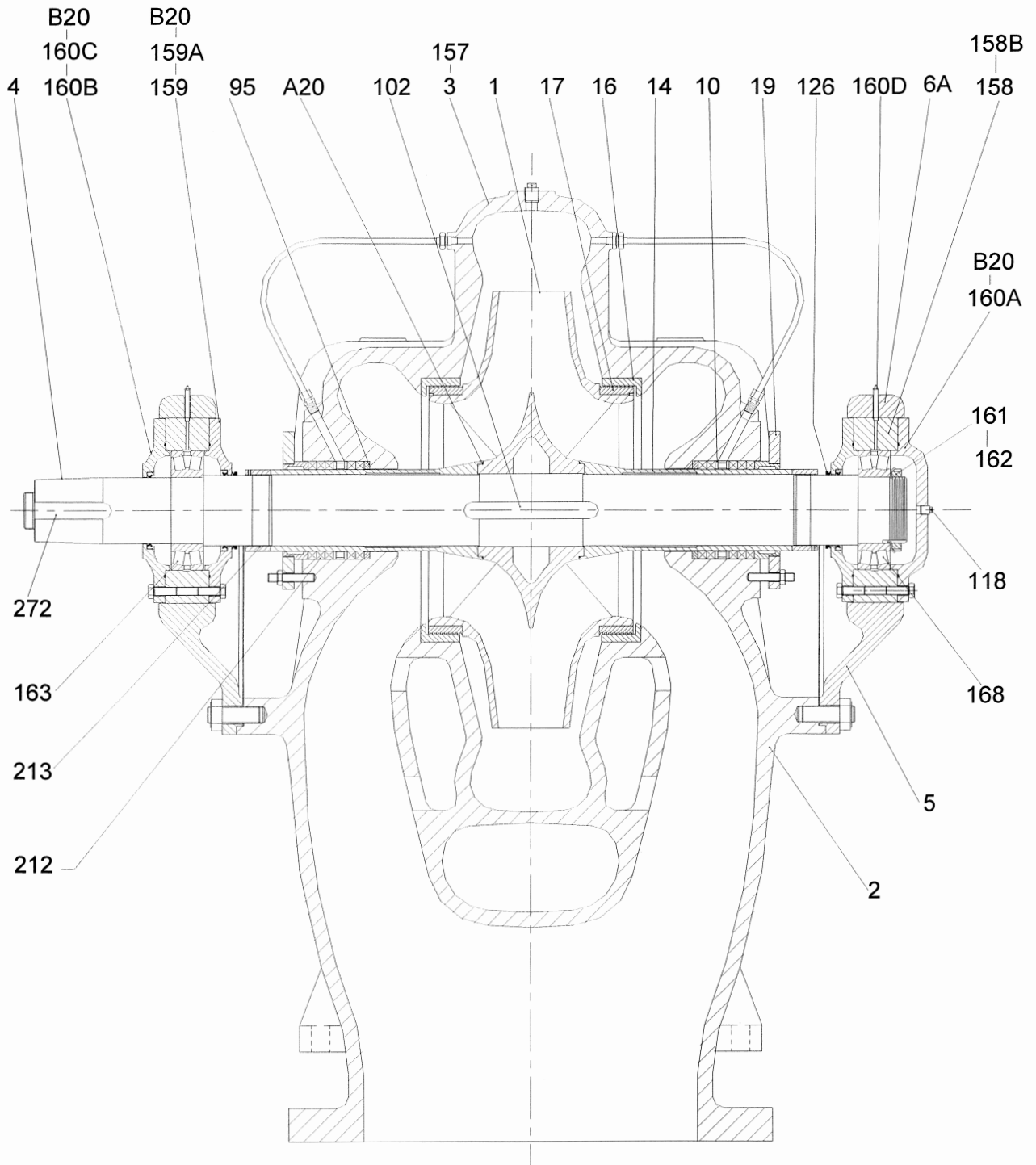


ASSEMBLY
20" AND LARGER HORIZONTAL SPLIT CASE
SIDE SUCTION



DWG NO. A5826A003

REV NO 0



ASSEMBLY
20" AND LARGER HORIZONTAL SPLIT CASE
BOTTOM SUCTION

Fairbanks Morse
Pentair Pump Group

DWG NO.	A5826AB03	REV NO	0
---------	-----------	--------	---

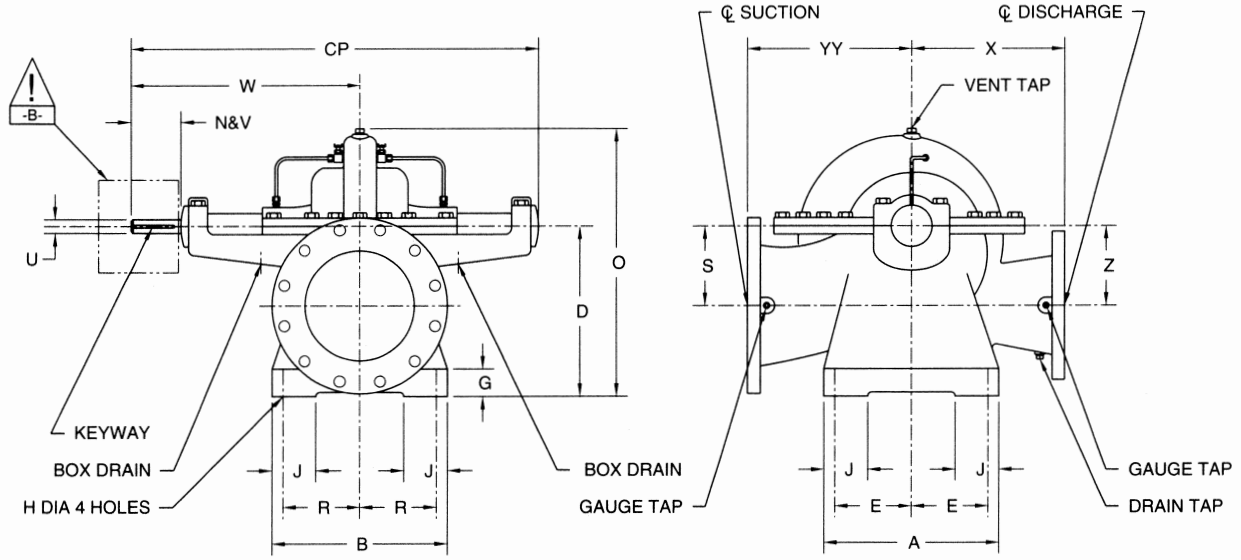
WARNING

DO NOT OPERATE THIS MACHINE WITHOUT PROTECTIVE GUARD IN PLACE. ANY OPERATION OF THIS MACHINE WITHOUT PROTECTIVE GUARD CAN RESULT IN SEVERE BODILY INJURY.

-A- SUPPLIED BY FMPC -B- SUPPLIED BY OTHERS

NOTES:

- (1) ALL FLANGES ARE STANDARD 125# ANSI DRILLING. OPTIONAL 250# ANSI FLANGES ARE AVAILABLE.
- (2) ALL DIMENSIONS ARE IN INCHES UNLESS NOTED.
- (3) ROTATION IS ALWAYS VIEWED FROM THE DRIVER END. FOR C.C.W. ROTATION, SUCTION AND DISCHARGE POSITIONS WILL BE ON OPPOSITE SIDES OF THAT SHOWN ABOVE AND DIMENSIONS IN THE END VIEW WILL BE REVERSED.
- (4) NOT FOR CONSTRUCTION, INSTALLATION, OR APPLICATION PURPOSES UNLESS CERTIFIED. DIMENSIONS SHOWN MAY VARY DUE TO NORMAL MANUFACTURING TOLERANCES.



CLOCKWISE ROTATION SHOWN (3)

PUMP	SUCT	DISCH	A	B	D	E	G	H	J	K	N&V	O
4" 5821	5	4	12	12	11½	5⅞	2	5⅞	3	3	45/16	18⅞
5" 5821	6	5	12	12	12	5⅞	2	5⅞	3	3	37/8	19
6" 5821	8	6	16	16	13½	7⅞	2	¾	4	4	37/8	21⅜
8" 5821	10	8	16	16	15½	7	2½	7/8	4	4	49/16	24⅜
10" 5821	12	10	22	24	20	8¼	1⅞	1⅞	5½	6	413/16	32½
12" 5821	14	12	25	32	22	10	1¼	1¼	7	7	415/16	36⅞
14" 5821	16	14	30	32	24	11½	1½	1½	6	7	3¾	39¾

PUMP	R	S	U	W	X	Z	CP	YY	KEYWAY
4" 5821	5⅞	6	7/8	16½	10	6	2811/16	10½	3/16 X 3/32 X 37/8
5" 5821	5⅞	6	11/16	16½	10	6	293/16	11	¼ X 1/8 X 3¾
6" 5821	7⅞	6½	11/16	17¾	11	6½	3111/16	13	¼ X 1/8 X 3¾
8" 5821	7	7¼	1¼	207/8	14	7¼	373/16	15	¼ X 1/8 X 37/8
10" 5821	9½	10	11/16	24¼	17	10	43¾	18	3/8 X 3/16 X 4½
12" 5821	13½	11	11/16	25¾	21	11	465/8	21	3/8 X 3/16 X 4½
14" 5821	13½	12	17/8	26¼	24	12	491/8	24	½ X ¼ X 3⅞

CUSTOMER				P.O. NO.		
JOB NAME				TAG NAME		
PUMP SIZE AND MODEL		GPM	TDH	RPM	ROTATION	
MOTOR	HP	FRAME	PHASE	HERTZ	VOLTS	ENCLOSURE
CERTIFIED FOR			CERTIFIED BY		DATE	
					DWG NO 5820S001	REV NO 0

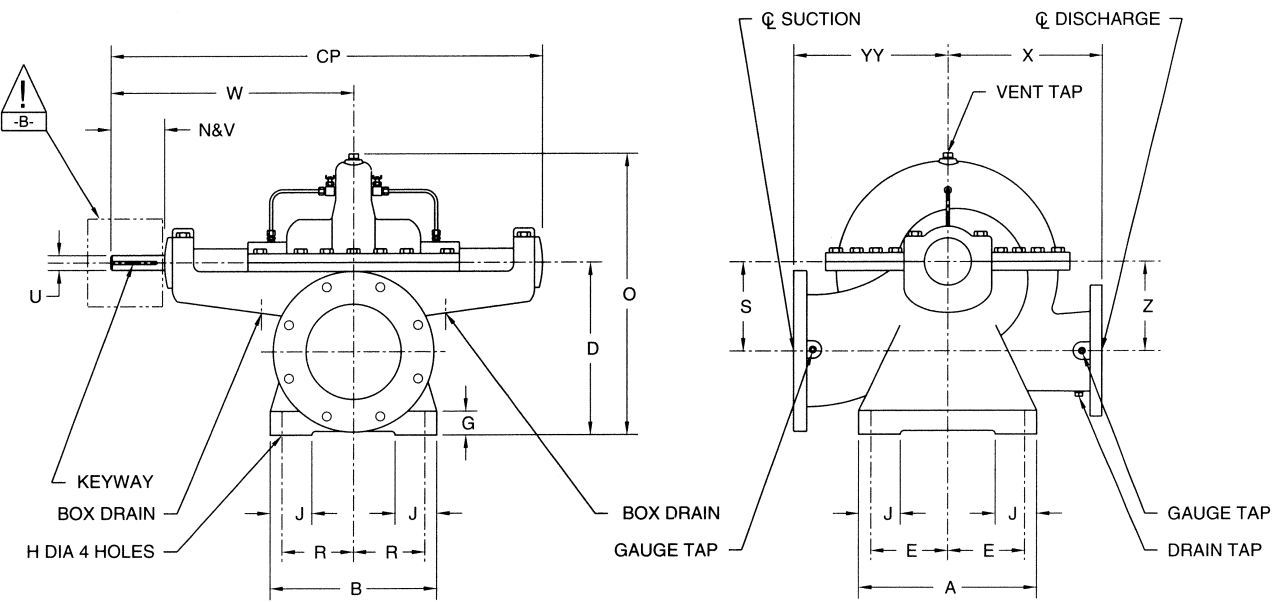
WARNING

DO NOT OPERATE THIS MACHINE WITHOUT PROTECTIVE GUARD IN PLACE. ANY OPERATION OF THIS MACHINE WITHOUT PROTECTIVE GUARD CAN RESULT IN SEVERE BODILY INJURY.

-A- SUPPLIED BY FMPC -B- SUPPLIED BY OTHERS

NOTES:

- (1) ALL FLANGES ARE STANDARD 125# ANSI DRILLING. OPTIONAL 250# ANSI FLANGES ARE AVAILABLE.
- (2) ALL DIMENSIONS ARE IN INCHES UNLESS NOTED.
- (3) ROTATION IS ALWAYS VIEWED FROM THE DRIVER END. FOR C.C.W. ROTATION, SUCTION AND DISCHARGE POSITIONS WILL BE ON OPPOSITE SIDES OF THAT SHOWN ABOVE AND DIMENSIONS IN THE END VIEW WILL BE REVERSED.
- (4) NOT FOR CONSTRUCTION, INSTALLATION, OR APPLICATION PURPOSES UNLESS CERTIFIED. DIMENSIONS SHOWN MAY VARY DUE TO NORMAL MANUFACTURING TOLERANCES.



CLOCKWISE ROTATION SHOWN (3)

PUMP	SUCT	DISCH	A	B	D	E	G	H	J	N&V	O
4" 5822	5	4	12	11½	11	5⅞	2	⅝	2¾	3⅞	19¾
5" 5822	6	5	15	14	13	6½	2	¾	3½	4½	20⅝
6" 5822	8	6	15	14	14½	6½	2	7⁄8	3½	4½	23⅝
8" 5822	10	8	17½	20	17½	7¾	2½	1	4	4¾	28½

PUMP	R	S	U	W	X	Z	CP	YY	KEYWAY
4" 5822	4⅞	5¾	1⅞	16½	10	5¾	29⅞	10½	¼ X ⅛ X 3⅞
5" 5822	6	7	1¼	18¼	12	7	32	12	¼ X ⅛ X 3⅞
6" 5822	6	7½	1¼	20⅞	13	7½	36¼	13	¼ X ⅛ X 3⅞
8" 5822	9	9¼	1⅞	22½	16	9¼	40¼	17	⅜ X ⅜ X 4⅞

CUSTOMER				P.O. NO.			
JOB NAME				TAG NAME			
PUMP SIZE AND MODEL		GPM	TDH	RPM	ROTATION		
MOTOR	HP	FRAME	PHASE	HERTZ	VOLTS	ENCLOSURE	
CERTIFIED FOR			CERTIFIED BY		DATE		
					DWG NO	5820S003	REV NO 0



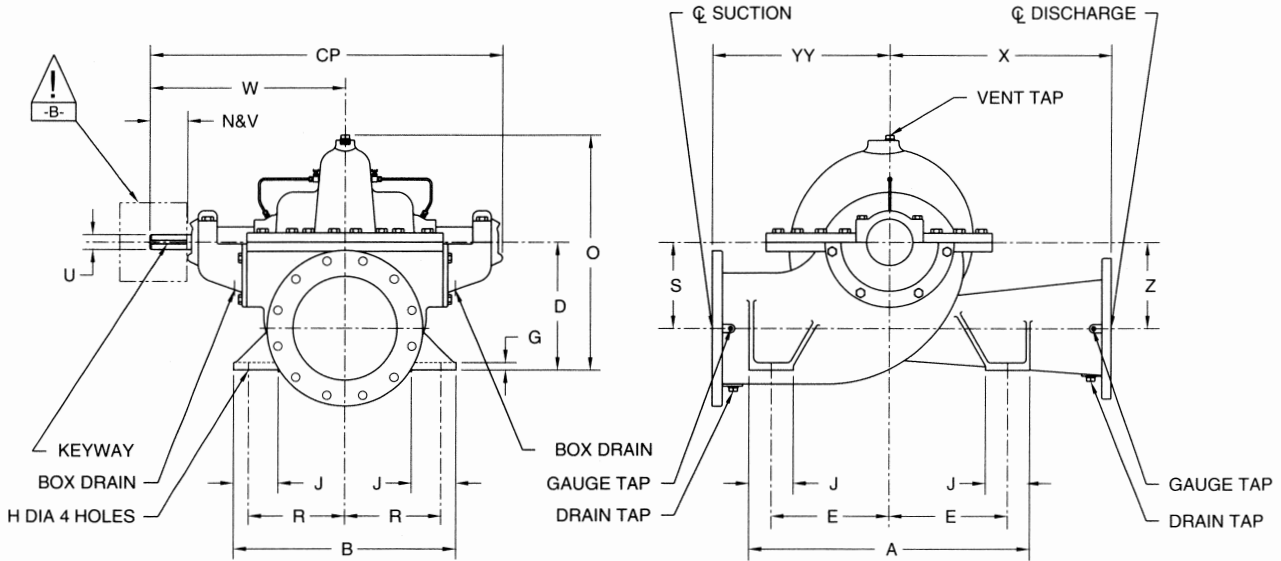
WARNING

DO NOT OPERATE THIS MACHINE WITHOUT PROTECTIVE GUARD IN PLACE. ANY OPERATION OF THIS MACHINE WITHOUT PROTECTIVE GUARD CAN RESULT IN SEVERE BODILY INJURY.

-A- SUPPLIED BY FMPC -B- SUPPLIED BY OTHERS

NOTES:

- (1) ALL FLANGES ARE STANDARD 125# ANSI DRILLING. OPTIONAL 250# ANSI FLANGES ARE AVAILABLE.
- (2) ALL DIMENSIONS ARE IN INCHES UNLESS NOTED.
- (3) ROTATION IS ALWAYS VIEWED FROM THE DRIVER END. FOR C.C.W. ROTATION, SUCTION AND DISCHARGE POSITIONS WILL BE ON OPPOSITE SIDES OF THAT SHOWN ABOVE AND DIMENSIONS IN THE END VIEW WILL BE REVERSED.
- (4) NOT FOR CONSTRUCTION, INSTALLATION, OR APPLICATION PURPOSES UNLESS CERTIFIED. DIMENSIONS SHOWN MAY VARY DUE TO NORMAL MANUFACTURING TOLERANCES.



CLOCKWISE ROTATION SHOWN (3)

PUMP	SUCT	DISCH	A	B	D	E	G	H	J	N&V	O
12" 5822	14	12	30	38	17 ¹ / ₄	16	1	1 ¹ / ₄	6	5 ⁵ / ₁₆	31

PUMP	R	S	U	W	X	Z	CP	YY	KEYWAY
12" 5822	13	11 ⁵ / ₈	2	26 ⁵ / ₁₆	30	11 ⁵ / ₈	47 ⁵ / ₈	24	1/2" X 1/4" X 5

CUSTOMER				P.O. NO.		
JOB NAME				TAG NAME		
PUMP SIZE AND MODEL		GPM	TDH	RPM	ROTATION	
MOTOR	HP	FRAME	PHASE	HERTZ	VOLTS	ENCLOSURE
CERTIFIED FOR			CERTIFIED BY		DATE	BASIC PUMP DIMENSIONS 12" 5822 DWG NO 5820S005 REV NO 0

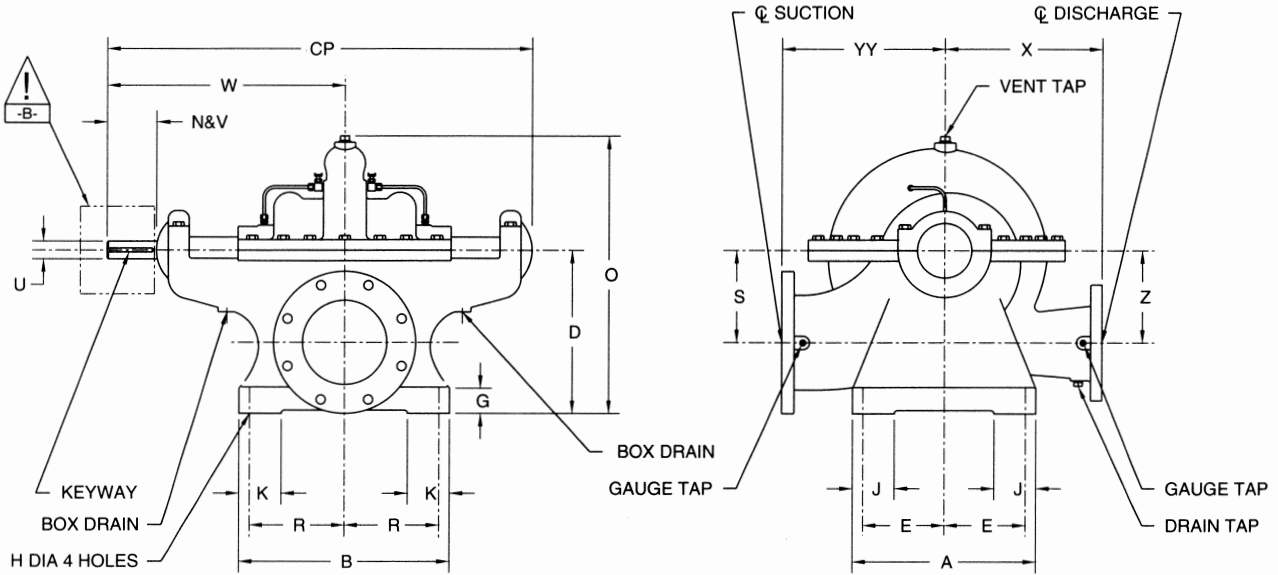
WARNING

DO NOT OPERATE THIS MACHINE WITHOUT PROTECTIVE GUARD IN PLACE. ANY OPERATION OF THIS MACHINE WITHOUT PROTECTIVE GUARD CAN RESULT IN SEVERE BODILY INJURY.

-A- SUPPLIED BY FMPC -B- SUPPLIED BY OTHERS

NOTES:

- (1) ALL FLANGES ARE STANDARD 125# ANSI DRILLING. OPTIONAL 250# ANSI FLANGES ARE AVAILABLE.
- (2) ALL DIMENSIONS ARE IN INCHES UNLESS NOTED.
- (3) ROTATION IS ALWAYS VIEWED FROM THE DRIVER END. FOR C.C.W. ROTATION, SUCTION AND DISCHARGE POSITIONS WILL BE ON OPPOSITE SIDES OF THAT SHOWN ABOVE AND DIMENSIONS IN THE END VIEW WILL BE REVERSED.
- (4) NOT FOR CONSTRUCTION, INSTALLATION, OR APPLICATION PURPOSES UNLESS CERTIFIED. DIMENSIONS SHOWN MAY VARY DUE TO NORMAL MANUFACTURING TOLERANCES.




CLOCKWISE ROTATION SHOWN (3)

PUMP	SUCT	DISCH	A	B	D	E	G	H	J	K	N&V	O
4" 5823	5	4	14	15	12½	6	2	7/8	3½	3½	3⅝	21¾
5" 5823	6	5	15½	17½	14	6¾	2¼	1	3¾	3¾	3⅝	24
6" 5823	8	6	17½	20	15½	7¾	2½	1	4	4	4⅜	25¾
8" 5823	10	8	17½	20	17½	7¾	2½	1	4	4	4⅜	28⅞
10" 5823	12	10	26	24	20	10½	1¼	1¼	5½	6	5⅝	32⅜
12" 5823	14	12	28	34	26¼	11½	1¼	1¼	7	7	5¾	43⅜

PUMP	R	S	U	W	X	Z	CP	YY	KEYWAY
4" 5823	6½	7⅞	1¼	18⅜	13½	7⅞	33⅜	14	¼ X ⅛ X 2⅝
5" 5823	7¾	8⅞	1¼	18⅞	15	8⅞	33⅜	15½	¼ X ⅛ X 2⅝
6" 5823	9	8¾	1⅜	22½	15	8¾	40¼	15½	⅜ X ⅜ X 4⅞
8" 5823	9	9¼	1⅜	22½	17	9¼	40¼	17	⅜ X ⅜ X 4⅞
10" 5823	9½	10	2	25⅞	20	10	45⅞	20	½ X ¼ X 5
12" 5823	15	14½	2¾	31⅞	24	14½	57	24	⅝ X ⅝ X 4½

CUSTOMER				P.O. NO.			
JOB NAME				TAG NAME			
PUMP SIZE AND MODEL		GPM	TDH	RPM	ROTATION	DISCH POS	
MOTOR	HP	FRAME	PHASE	HERTZ	VOLTS	ENCLOSURE	
CERTIFIED FOR			CERTIFIED BY		DATE		BASIC PUMP DIMENSIONS 4" THRU 12" 5823
DWG NO 5820S007						REV NO 0	



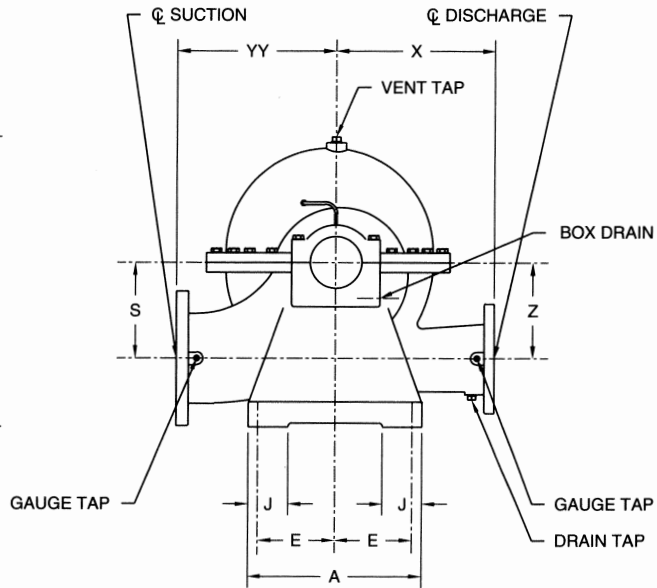
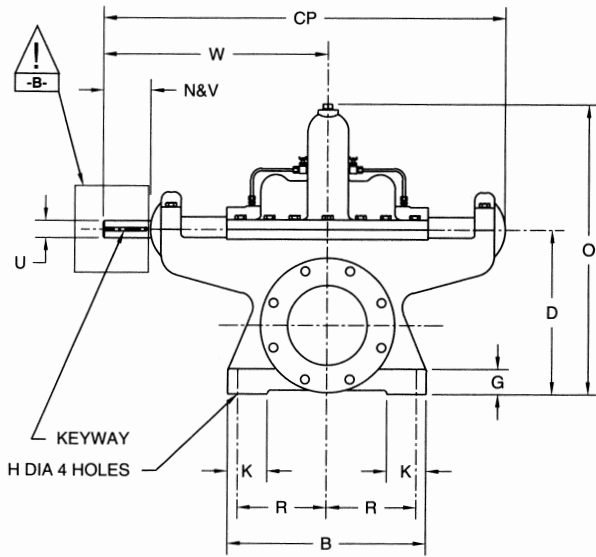
WARNING

DO NOT OPERATE THIS MACHINE WITHOUT PROTECTIVE GUARD IN PLACE. ANY OPERATION OF THIS MACHINE WITHOUT PROTECTIVE GUARD CAN RESULT IN SEVERE BODILY INJURY.

-A- SUPPLIED BY FMPC -B- SUPPLIED BY OTHERS

NOTES:


- (1) ALL FLANGES ARE STANDARD 125# ANSI DRILLING. OPTIONAL 250# ANSI FLANGES ARE AVAILABLE.
- (2) ALL DIMENSIONS ARE IN INCHES UNLESS NOTED.
- (3) ROTATION IS ALWAYS VIEWED FROM THE DRIVER END. FOR C.C.W. ROTATION, SUCTION AND DISCHARGE POSITIONS WILL BE ON OPPOSITE SIDES OF THAT SHOWN AND DIMENSIONS IN THE END VIEW WILL BE REVERSED.
- (4) NOT FOR CONSTRUCTION, INSTALLATION, OR APPLICATION PURPOSES UNLESS CERTIFIED. DIMENSIONS SHOWN MAY VARY DUE TO NORMAL MANUFACTURING TOLERANCES.




CLOCKWISE ROTATION SHOWN (3)

PUMP	SUCT	DISCH	A	B	D	E	G	H	J	K	N&V	O
4" 5824	5	4	15	16	14 ³ / ₄	6 ¹ / ₂	2	7 ⁷ / ₈	3 ¹ / ₂	3 ¹ / ₂	3 ¹ / ₂	25 ³ / ₄
5" 5824	6	5	18	16	16	8	2 ¹ / ₄	1	3 ³ / ₄	3 ³ / ₄	4 ¹⁵ / ₁₆	27 ³ / ₄
6" 5824	8	6	17 ¹ / ₂	20	16 ¹ / ₂	7 ³ / ₄	2 ¹ / ₂	1	4	4	4 ¹⁵ / ₁₆	28 ¹ / ₂
8" 5824	10	8	22	24	18 ¹ / ₂	8 ⁵ / ₈	1 ¹ / ₄	1 ¹ / ₄	6	6	5 ¹ / ₄	32 ¹ / ₄
10" 5824	12	10	26	24	21 ³ / ₄	10 ¹ / ₂	1 ¹ / ₄	1 ¹ / ₄	5 ¹ / ₂	6	5 ⁵ / ₁₆	35 ¹ / ₄

PUMP	R	S	U	W	X	Z	CP	YY	KEYWAY
4" 5824	7	9 ¹ / ₂	1 ¹ / ₄	18 ⁵ / ₈	14	9 ¹ / ₂	33 ¹ / ₄	14	1/4 X 1/8 X 2 ⁵ / ₈
5" 5824	7	10	1 ¹¹ / ₁₆	21	14	10	37 ¹ / ₈	14	3/8 X 3/16 X 4 ¹ / ₈
6" 5824	9	9 ⁵ / ₈	1 ¹¹ / ₁₆	22 ¹ / ₂	16	9 ⁵ / ₈	40 ¹ / ₈	16	3/8 X 3/16 X 4 ¹ / ₈
8" 5824	10 ¹ / ₂	10	2	24 ³ / ₄	18	10	44 ¹ / ₄	18	1/2 X 1/4 X 5
10" 5824	9 ¹ / ₂	11 ¹ / ₂	2	25 ⁹ / ₁₆	21	11 ¹ / ₂	45 ¹³ / ₁₆	21	1/2 X 1/4 X 5

CUSTOMER				P.O. NO.		
JOB NAME				TAG NAME		
PUMP SIZE AND MODEL		GPM	TDH	RPM	ROTATION	
MOTOR	HP	FRAME	PHASE	HERTZ	VOLTS	ENCLOSURE
CERTIFIED FOR			CERTIFIED BY		DATE	
					DWG NO	5820S009
					REV NO	1



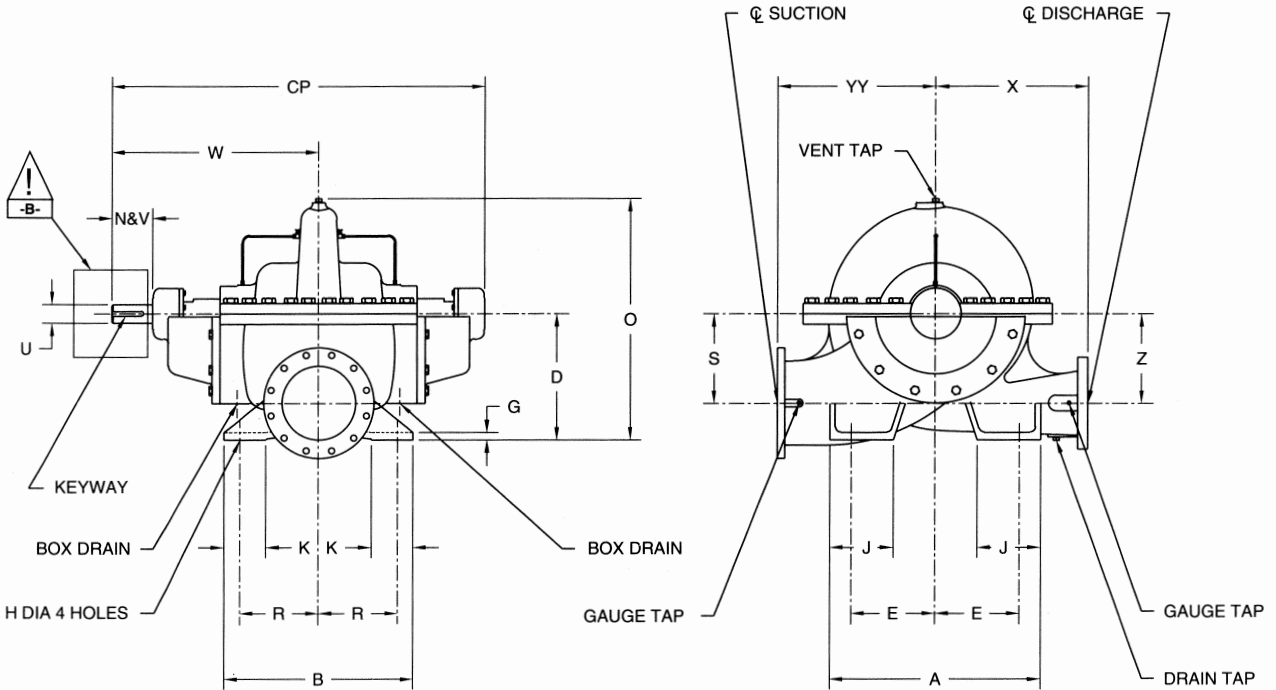
WARNING

DO NOT OPERATE THIS MACHINE WITHOUT PROTECTIVE GUARD IN PLACE. ANY OPERATION OF THIS MACHINE WITHOUT PROTECTIVE GUARD CAN RESULT IN SEVERE BODILY INJURY.

-A- SUPPLIED BY FMPC -B- SUPPLIED BY OTHERS

NOTES:


- (1) ALL FLANGES ARE 125# ANSI DRILLING UNLESS NOTED.
- (2) ALL DIMENSIONS ARE IN INCHES UNLESS NOTED.
- (3) ROTATION IS ALWAYS VIEWED FROM THE DRIVER END. FOR C.C.W. ROTATION, SUCTION AND DISCHARGE POSITIONS WILL BE ON OPPOSITE SIDES OF THAT SHOWN AND DIMENSIONS IN THE END VIEW WILL BE REVERSED.
- (4) DISCHARGE FLANGES ARE STANDARD 250# ANSI DRILLING.
- (5) NOT FOR CONSTRUCTION, INSTALLATION, OR APPLICATION PURPOSES UNLESS CERTIFIED. DIMENSIONS SHOWN MAY VARY DUE TO NORMAL MANUFACTURING TOLERANCES.



CLOCKWISE ROTATION SHOWN (3)

PUMP	SUCT	DISCH	A	B	D	E	G	H	J	K	N&V	O
10" 5825	14	10(4)	20	36	24	16	1½	1¼	12	8	6¾	46

PUMP	R	S	U	W	X	Z	CP	YY	KEYWAY
10" 5825	15	17	3½	39¾	29	17	71	30	7/8 X 7/16 X 5½

CUSTOMER				P.O. NO.		 <p>BASIC PUMP DIMENSIONS 10" 5825</p>	
JOB NAME				TAG NAME			
PUMP SIZE AND MODEL		GPM	TDH	RPM	ROTATION		
MOTOR	HP	FRAME	PHASE	HERTZ	VOLTS	ENCLOSURE	
CERTIFIED FOR			CERTIFIED BY		DATE		DWG NO 5820S011 REV NO 0

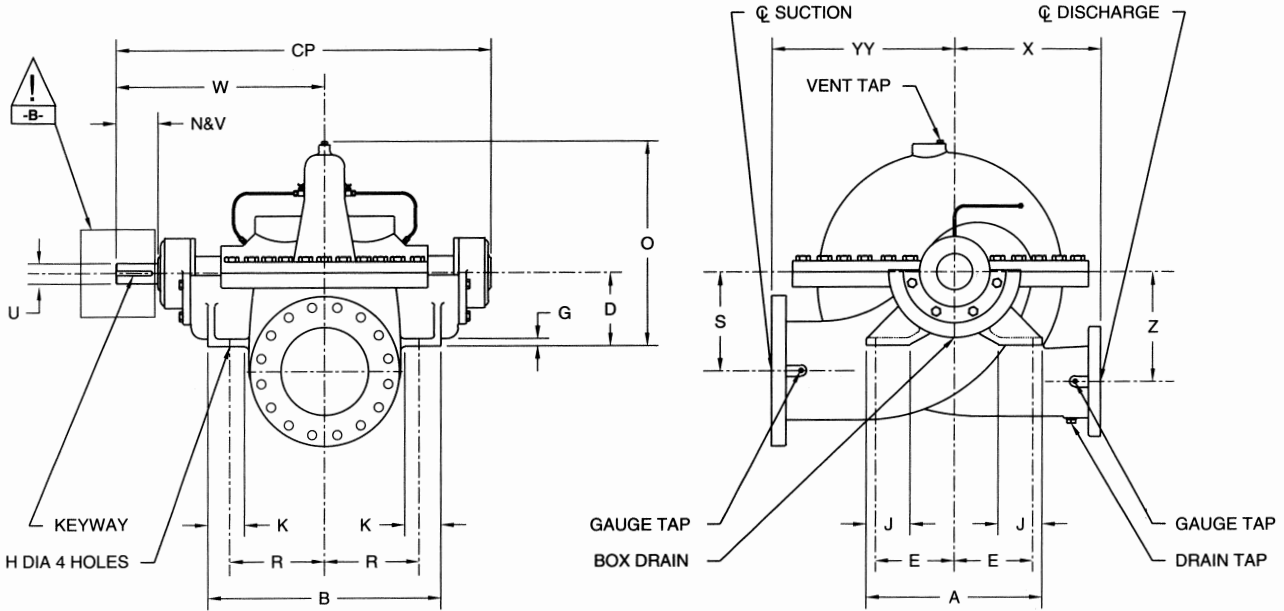
WARNING

DO NOT OPERATE THIS MACHINE WITHOUT PROTECTIVE GUARD IN PLACE. ANY OPERATION OF THIS MACHINE WITHOUT PROTECTIVE GUARD CAN RESULT IN SEVERE BODILY INJURY.

-A- SUPPLIED BY FMPC -B- SUPPLIED BY OTHERS

NOTES:

- (1) ALL FLANGES ARE 250# ANSI DRILLING UNLESS NOTED.
- (2) ALL DIMENSIONS ARE IN INCHES UNLESS NOTED.
- (3) ROTATION IS ALWAYS VIEWED FROM THE DRIVER END. FOR C.C.W. ROTATION, SUCTION AND DISCHARGE POSITIONS WILL BE ON OPPOSITE SIDES OF THAT SHOWN AND DIMENSIONS IN THE END VIEW WILL BE REVERSED.
- (4) SUCTION FLANGE IS 125# ANSI DRILLING.
- (5) NOT FOR CONSTRUCTION, INSTALLATION, OR APPLICATION PURPOSES UNLESS CERTIFIED. DIMENSIONS SHOWN MAY VARY DUE TO NORMAL MANUFACTURING TOLERANCES.

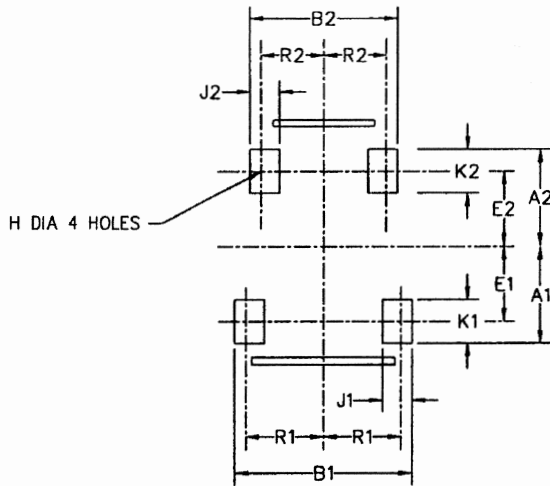


CLOCKWISE ROTATION SHOWN (3)

PUMP	SUCT	DISCH	A	B	D	E	G	H	J	K	N&V	O
6" 5826	10	6	22 ⁵ / ₈	30	8	9 ³ / ₄	1	1 ³ / ₈	6	4 ¹ / ₄	5 ¹ / ₄	27
8" 5826	12	8	24	32	10	10 ³ / ₄	1	1 ³ / ₈	6	5	5 ³ / ₄	28
10" 5826	14(4)	10	32	48	9	14	1 ¹ / ₄	1 ¹ / ₄	6	6	6 ³ / ₈	31

PUMP	R	S	U	W	X	Z	CP	YY	KEYWAY
6" 5826	12	13	2	26 ⁵ / ₈	21	14 ¹ / ₂	48 ¹ / ₄	20 ³ / ₄	1/2 X 1/4 X 5
8" 5826	13	13 ¹ / ₂	2 ³ / ₄	28 ⁵ / ₈	20	15	51 ¹ / ₂	25	5/8 X 5/16 X 4 ¹¹ / ₁₆
10" 5826	21 ¹ / ₂	17	3 ¹⁵ / ₁₆	35 ¹ / ₂	22	19	64 ⁵ / ₈	30	1 X 1/2 X 5

CUSTOMER				P.O. NO.				
JOB NAME				TAG NAME				
PUMP SIZE AND MODEL		GPM	TDH	RPM	ROTATION			
MOTOR	HP	FRAME	PHASE	HERTZ	VOLTS	ENCLOSURE		
CERTIFIED FOR			CERTIFIED BY		DATE			
					DWG NO	5820S013	REV NO	0



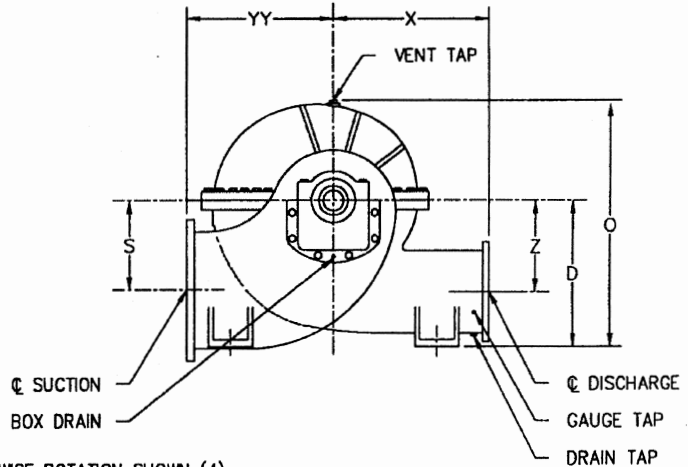
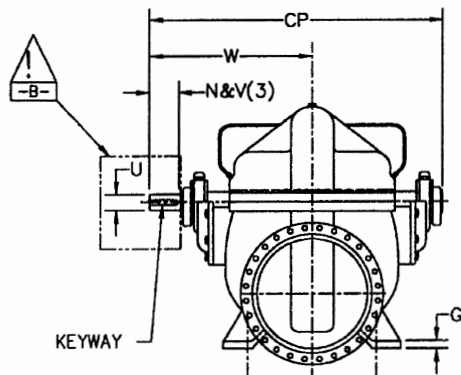
WARNING

DO NOT OPERATE THIS MACHINE WITHOUT PROTECTIVE GUARD IN PLACE. ANY OPERATION OF THIS MACHINE WITHOUT PROTECTIVE GUARD CAN RESULT IN SEVERE BODILY INJURY.

-A- SUPPLIED BY FMPC -B- SUPPLIED BY OTHERS

NOTES:

- (1) ALL FLANGES ARE STANDARD 125# ANSI DRILLING. OPTIONAL 250# ANSI FLANGES ARE AVAILABLE.
- (2) ALL DIMENSIONS ARE IN INCHES UNLESS NOTED.
- (3) DIMENSIONS REFLECT USABLE SHAFT LENGTH.
- (4) ROTATION IS ALWAYS VIEWED FROM THE DRIVER END. FOR C.C.W. ROTATION, SUCTION AND DISCHARGE POSITIONS WILL BE ON OPPOSITE SIDES OF THAT SHOWN AND DIMENSIONS IN THE END VIEW WILL BE REVERSED.
- (5) NOT FOR CONSTRUCTION, INSTALLATION, OR APPLICATION PURPOSES UNLESS CERTIFIED. DIMENSIONS SHOWN MAY VARY DUE TO NORMAL MANUFACTURING TOLERANCES.

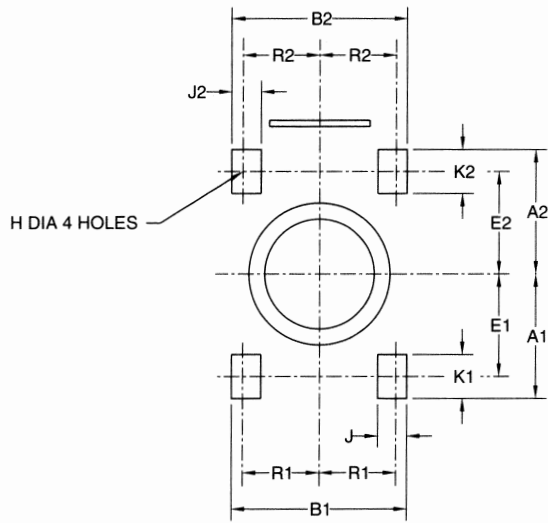


CLOCKWISE ROTATION SHOWN (4)

PUMP	SUCT	DISCH	A1	A2	B1	B2	D	E1	E2	G	H	J1	J2	K1
20" 5821	20	20	18	18	44	44	30	15	15	1 3/8	1 3/8	8	8	8
36" 5821	42	36	48	40	68	56	55	41	33	2 1/2	2	12	12	14
20" 5822	24	20	CONSULT FACTORY											
24" 5822	30	24	41	41	40	40	44	36	36	2	1 5/8	8	8	10
16" 5823	20	16	24	24 1/2	33	27	20	20 1/2	1 1/2	1 3/8	6	6	8	8
20" 5823	24	20	30	30	39	36	36	24 1/2	24 1/2	1 1/2	1 1/4	9 1/2	8	11
30" 5823	36	30	36	36	78	70	52	30	30	2	1 3/4	12	12	12
20" 5824	30	20	34	34	48	48	40	28	28	2	1 1/4	12	12	12
36" 5824	42	36	CONSULT FACTORY											

PUMP	K2	N&V	O	R1	R2	S	U	W	X	Z	CP	YY	KEYWAY
20" 5821	8	4 1/2	51	20	20	18	2 3/8	31 1/2	27	18	59	27	5/8 X 5/16 X 3 3/4
36" 5821	14	11 3/4	96 1/2	31	26	40	5 3/4	69 3/8	54	36	127	60	1 1/2 X 3/4 X 9 3/4
20" 5822	CONSULT FACTORY												
24" 5822	10	8 1/4	73 1/8	18	18	28	5	45	48	28	81 7/8	48	1 1/4 X 5/8 X 6
16" 5823	8	9 5/8	48 3/4	14 1/2	11 1/2	18 1/4	3 3/8	36 1/8	34	18 1/4	69 3/8	29	7/8 X 7/16 X 8
20" 5823	11	10	59 3/4	18	15 1/2	22	3 3/4	41	42	22	72	40	7/8 X 7/16 X 8
30" 5823	12	13 1/2	86 3/4	36	32	38	5 1/2	62 1/2	72	33	111 1/2	54	1 1/4 X 5/8 X 8
20" 5824	12	8 7/8	66	21 1/2	21 1/2	24 1/2	4 1/4	46	42	25	81 1/8	40	1 X 1/2 X 8
36" 5824	CONSULT FACTORY												

CUSTOMER				P.O. NO.		<p>Fairbanks Morse Pentair Water</p> <p>BASIC PUMP DIMENSIONS 16" & LARGER</p>	
JOB NAME				TAG NAME			
PUMP SIZE AND MODEL		GPM	TDH	RPM	ROTATION		
MOTOR	HP	FRAME	PHASE	HERTZ	VOLTS		ENCLOSURE
CERTIFIED FOR			CERTIFIED BY		DATE	DWG NO 5820S015	REV NO 2

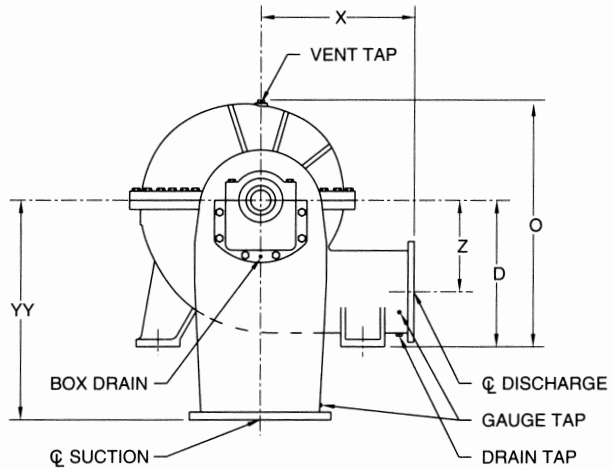
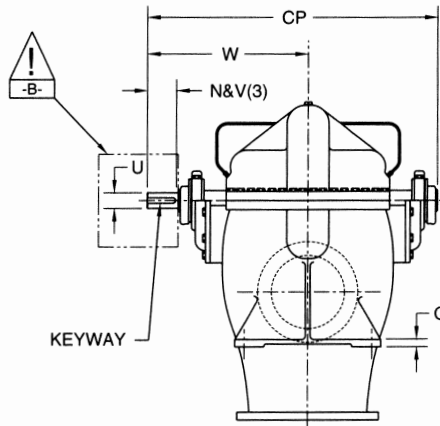


WARNING

DO NOT OPERATE THIS MACHINE WITHOUT PROTECTIVE GUARD IN PLACE. ANY OPERATION OF THIS MACHINE WITHOUT PROTECTIVE GUARD CAN RESULT IN SEVERE BODILY INJURY.

-A- SUPPLIED BY FMPC -B- SUPPLIED BY OTHERS

- NOTES:
- (1) ALL FLANGES ARE STANDARD 125# ANSI DRILLING. OPTIONAL 250# ANSI FLANGES ARE AVAILABLE.
 - (2) ALL DIMENSIONS ARE IN INCHES UNLESS NOTED.
 - (3) DIMENSIONS REFLECT USABLE SHAFT LENGTH.
 - (4) ROTATION IS ALWAYS VIEWED FROM THE DRIVER END. FOR C.C.W. ROTATION, SUCTION AND DISCHARGE POSITIONS WILL BE ON OPPOSITE SIDES OF THAT SHOWN ABOVE AND DIMENSIONS IN THE END VIEW WILL BE REVERSED.
 - (5) NOT FOR CONSTRUCTION, INSTALLATION, OR APPLICATION PURPOSES UNLESS CERTIFIED. DIMENSIONS SHOWN MAY VARY DUE TO NORMAL MANUFACTURING TOLERANCES.



CLOCKWISE ROTATION SHOWN (4)

PUMP	SUCT	DISCH	A1	A2	B1	B2	D	E1	E2	G	H	J1	J2
20" 5822	24	20	27 1/2	27 1/2	39	39	31	25	25	1 3/4	1 5/8	8	8
24" 5822	30	24	33 3/4	33 3/4	37	37	38	30	30	2	1 5/8	8	8
16" 5823	20	16	24	24	31 1/2	31 1/2	22 1/2	21	21	1 1/2	1 3/8	4 1/2	4 1/2
20" 5823	24	20	31 3/4	32 3/4	35	35	31 1/2	27	28	1 1/2	1 5/8	8	8
20" 5824	30	20	34	34	40	40	40	28	28	2	1 1/4	8	8
36" 5824	42	36	CONSULT FACTORY										

PUMP	K1	K2	N&V	O	R1	R2	U	W	X	Z	CP	YY	KEYWAY
20" 5822	8	8	8 3/8	54 1/2	15	17 1/2	3 3/4	45 1/4	47	21 1/2	82 1/4	44	7/8 X 7/16 X 6
24" 5822	10	10	8 1/4	65 3/4	16	16	3 3/4	47 3/8	48	24	86 3/4	52	7/8 X 7/16 X 8
16" 5823	7	7	11	44 1/4	14 1/2	14 1/2	3 3/8	38 1/2	34	18 1/4	58 1/2	38	7/8 X 7/16 X 8
20" 5823	9	11	8 3/4	54 1/2	15	15	3 3/4	45	48	20	81 1/4	44 1/2	7/8 X 7/16 X 8
20" 5824	12	12	8 7/8	66 1/2	17 1/2	17 1/2	4 1/4	45	42	25	81 1/8	60	1 X 1/2 X 8
36" 5824	CONSULT FACTORY												

CUSTOMER				P.O. NO.		<p>Fairbanks Morse Pump Corporation</p> <p>BASIC PUMP DIMENSIONS BOTTOM SUCTION 16" & LARGER</p> <p>DWG NO 5820S017 REV NO 0</p>
JOB NAME				TAG NAME		
PUMP SIZE AND MODEL		GPM	TDH	RPM	ROTATION	
MOTOR	HP	FRAME	PHASE	HERTZ	VOLTS	
CERTIFIED FOR			CERTIFIED BY		DATE	

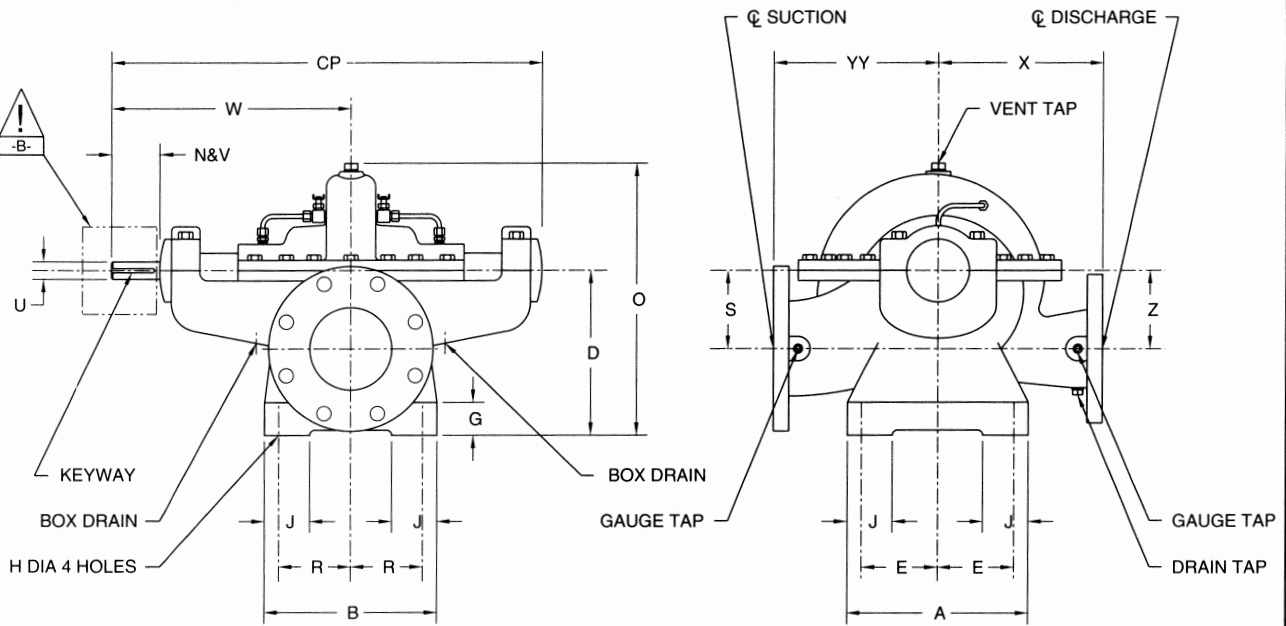
WARNING

DO NOT OPERATE THIS MACHINE WITHOUT PROTECTIVE GUARD IN PLACE. ANY OPERATION OF THIS MACHINE WITHOUT PROTECTIVE GUARD CAN RESULT IN SEVERE BODILY INJURY.

-A- SUPPLIED BY FMPC -B- SUPPLIED BY OTHERS

NOTES:

- (1) ALL FLANGES ARE STANDARD 125# ANSI DRILLING. OPTIONAL 250# ANSI FLANGES ARE AVAILABLE.
- (2) ALL DIMENSIONS ARE IN INCHES UNLESS NOTED.
- (3) ROTATION IS ALWAYS VIEWED FROM THE DRIVER END. FOR C.C.W. ROTATION, SUCTION AND DISCHARGE POSITIONS WILL BE ON OPPOSITE SIDES OF THAT SHOWN ABOVE AND DIMENSIONS IN THE END VIEW WILL BE REVERSED.
- (4) NOT FOR CONSTRUCTION, INSTALLATION, OR APPLICATION PURPOSES UNLESS CERTIFIED. DIMENSIONS SHOWN MAY VARY DUE TO NORMAL MANUFACTURING TOLERANCES.




CLOCKWISE ROTATION SHOWN (3)

PUMP	SUCT	DISCH	A	B	D	E	G	H	J	N&V	O
2" 5874	3	2	9	8	9	3 ³ / ₄	1 ¹ / ₂	5 ⁵ / ₈	2 ³ / ₈	3 ⁵ / ₈	14 ⁵ / ₈
3" 5874	4	3	9	8	10	3 ³ / ₄	1 ¹ / ₂	5 ⁵ / ₈	2 ³ / ₈	3 ⁵ / ₈	16
4" 5874	5	4	11	10 ¹ / ₂	10	4 ⁵ / ₈	2	5 ⁵ / ₈	2 ³ / ₄	2 ¹³ / ₁₆	16 ¹ / ₈
5" 5874	6	5	12	12	12 ¹ / ₂	5	1 ¹ / ₂	7 ⁷ / ₈	3	3 ¹ / ₂	19

PUMP	R	S	U	W	X	Z	CP	YY	KEYWAY
2" 5874	3 ¹ / ₄	4 ³ / ₄	7 ⁷ / ₈	13 ⁵ / ₈	7	4 ³ / ₄	23 ³ / ₈	8	3 ¹ / ₁₆ X 3 ³ / ₃₂ X 3 ³ / ₈
3" 5874	3 ¹ / ₄	5	7 ⁷ / ₈	15	8	5	26 ³ / ₈	9	3 ¹ / ₁₆ X 3 ³ / ₃₂ X 3 ³ / ₈
4" 5874	4 ³ / ₈	4 ³ / ₄	1 ¹ / ₁₆	14 ⁹ / ₁₆	10	4 ³ / ₄	26 ⁵ / ₁₆	10	1 ¹ / ₄ X 1 ¹ / ₈ X 2 ⁵ / ₈
5" 5874	5	5 ¹ / ₂	1 ¹ / ₄	18 ¹ / ₈	11	5 ¹ / ₂	32 ³ / ₄	11 ¹ / ₂	1 ¹ / ₄ X 1 ¹ / ₈ X 2 ⁵ / ₈

CUSTOMER				P.O. NO.		<p>Fairbanks Morse Pump Corporation</p>	
JOB NAME				TAG NAME			
PUMP SIZE AND MODEL		GPM	TDH	RPM	ROTATION		
MOTOR	HP	FRAME	PHASE	HERTZ	VOLTS	ENCLOSURE	
CERTIFIED FOR			CERTIFIED BY		DATE		
				DWG NO		REV NO	
				5870S001		0	



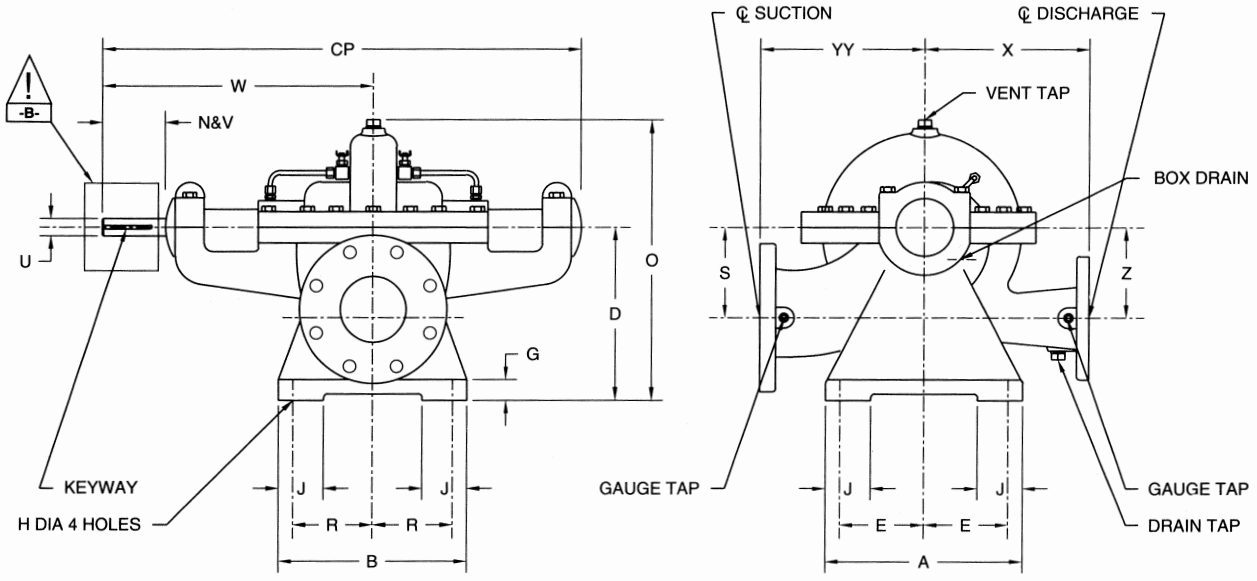
WARNING

DO NOT OPERATE THIS MACHINE WITHOUT PROTECTIVE GUARD IN PLACE. ANY OPERATION OF THIS MACHINE WITHOUT PROTECTIVE GUARD CAN RESULT IN SEVERE BODILY INJURY.

-A- SUPPLIED BY FMPC -B- SUPPLIED BY OTHERS

NOTES:


- (1) ALL FLANGES ARE STANDARD 125# ANSI DRILLING. OPTIONAL 250# ANSI FLANGES ARE AVAILABLE.
- (2) ALL DIMENSIONS ARE IN INCHES UNLESS NOTED.
- (3) ROTATION IS ALWAYS VIEWED FROM THE DRIVER END. FOR C.C.W. ROTATION, SUCTION AND DISCHARGE POSITIONS WILL BE ON OPPOSITE SIDES OF THAT SHOWN AND DIMENSIONS IN THE END VIEW WILL BE REVERSED.
- (4) NOT FOR CONSTRUCTION, INSTALLATION, OR APPLICATION PURPOSES UNLESS CERTIFIED. DIMENSIONS SHOWN MAY VARY DUE TO NORMAL MANUFACTURING TOLERANCES.




CLOCKWISE ROTATION SHOWN (3)

PUMP	SUCT	DISCH	A	B	D	E	G	H	J	N&V	O
2" 5876	3	2	11	10	9 ³ / ₄	4 ⁵ / ₈	1 ¹ / ₄	5 ⁵ / ₈	3	3 ¹³ / ₁₆	16
3" 5876	4	3	12	11 ¹ / ₂	10 ¹ / ₂	5 ¹ / ₈	2	5 ⁵ / ₈	2 ³ / ₄	3 ⁷ / ₈	17

PUMP	R	S	U	W	X	Z	CP	YY	KEYWAY
2" 5876	4 ¹ / ₈	5 ¹ / ₂	7 ⁷ / ₈	15 ¹ / ₄	9	5 ¹ / ₂	26 ³ / ₄	9	3 ⁹ / ₁₆ X 3 ⁹ / ₃₂ X 3 ³ / ₈
3" 5876	4 ⁷ / ₈	5 ¹ / ₂	1 ¹ / ₁₆	16 ¹ / ₂	10	5 ¹ / ₂	29 ⁹ / ₁₆	10	1 ¹ / ₄ X 1 ¹ / ₈ X 3 ³ / ₈

CUSTOMER				P.O. NO.		
JOB NAME				TAG NAME		
PUMP SIZE AND MODEL		GPM	TDH	RPM	ROTATION	
MOTOR	HP	FRAME	PHASE	HERTZ	VOLTS	ENCLOSURE
CERTIFIED FOR			CERTIFIED BY		DATE	
					DWG NO. 5870S003	REV NO. 0

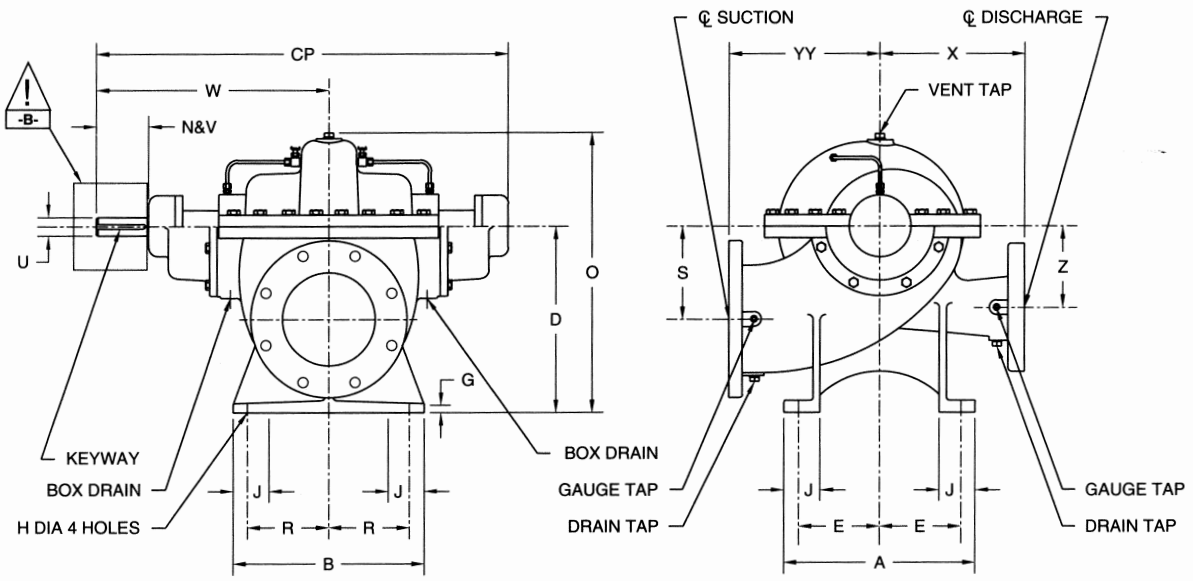


WARNING

DO NOT OPERATE THIS MACHINE WITHOUT PROTECTIVE GUARD IN PLACE. ANY OPERATION OF THIS MACHINE WITHOUT PROTECTIVE GUARD CAN RESULT IN SEVERE BODILY INJURY.

-A- SUPPLIED BY FMPC -B- SUPPLIED BY OTHERS


- NOTES:**
- (1) DISCHARGE FLANGES ARE STANDARD 250# ANSI DRILLING.
 - (2) SUCTION FLANGES ARE STANDART 125# ANSI DRILLING. OPTIONAL 250# ANSI FLANGES ARE AVAILABLE.
 - (3) ALL DIMENSIONS ARE IN INCHES UNLESS NOTED.
 - (4) ROTATION IS ALWAYS VIEWED FROM THE DRIVER END. FOR C.C.W. ROTATION, SUCTION AND DISCHARGE POSITIONS WILL BE ON OPPOSITE SIDES OF THAT SHOWN AND DIMENSIONS IN THE END VIEW WILL BE REVERSED.
 - (5) NOT FOR CONSTRUCTION, INSTALLATION, OR APPLICATION PURPOSES UNLESS CERTIFIED. DIMENSIONS SHOWN MAY VARY DUE TO NORMAL MANUFACTURING TOLERANCES.




CLOCKWISE ROTATION SHOWN (4)

PUMP	SUCT	DISCH	A	B	D	E	G	H	J	N&V	O
4" 5876	6	4	13	14	13	5 1/2	1	7/8	2 3/4	4	20 5/16
5" 5876	8	5	16 1/2	16 1/2	16	7	1	1 1/4	3 1/8	4 3/8	23 3/8
6" 5876	10	6	16 1/2	16 1/2	18	7	3/4	1 1/4	3 1/8	4 3/8	26 7/16

PUMP	R	S	U	W	X	Z	CP	YY	KEYWAY
4" 5876	6	6 1/2	1 1/4	16 7/8	10 1/4	6 1/2	29 13/16	11	1/4 X 1/8 X 2 1/4
5" 5876	7	8	1 5/8	20	12 1/2	7	35 1/2	13	3/8 X 3/16 X 4 3/16
6" 5876	7	9	1 5/8	20 5/8	13	7 1/2	36 3/4	15	3/8 X 3/16 X 4 3/16

CUSTOMER				P.O. NO.		
JOB NAME				TAG NAME		
PUMP SIZE AND MODEL		GPM	TDH	RPM	ROTATION	
MOTOR	HP	FRAME	PHASE	HERTZ	VOLTS	ENCLOSURE
CERTIFIED FOR			CERTIFIED BY		DATE	
					DWG NO	5870S005
					REV NO	1



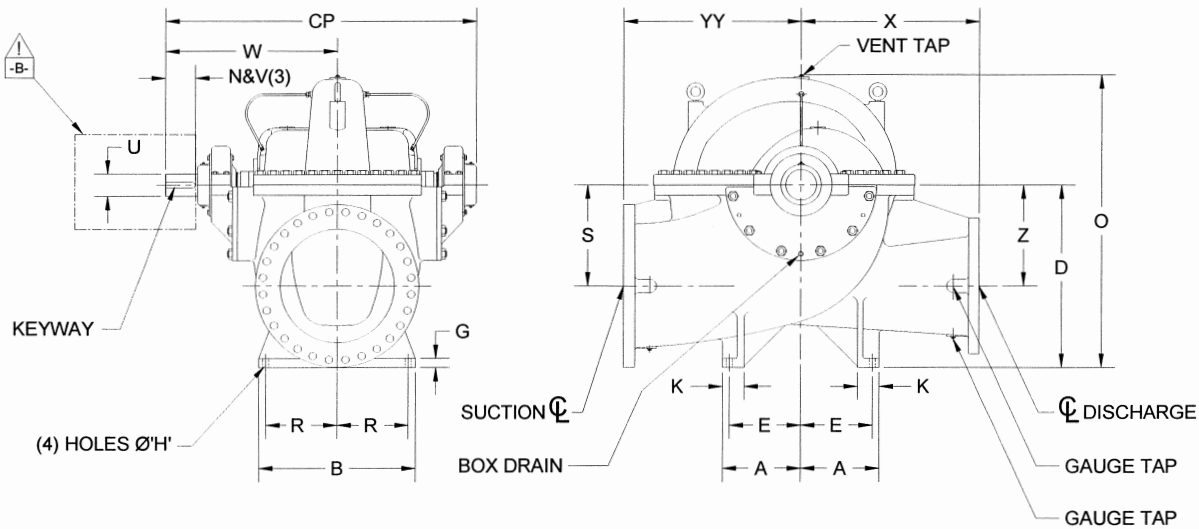
WARNING

DO NOT OPERATE THIS MACHINE WITHOUT PROTECTIVE GUARD
IN PLACE ANY OPERATION OF THIS MACHINE WITHOUT
PROTECTIVE GUARD CAN RESULT IN SEVERE BODILY INJURY

-A- SUPPLIED BY FMC -B- SUPPLIED BY OTHERS

NOTES:


- (1) ALL FLANGES ARE STANDARD 125# ANSI DRILLING. OPTIONAL 250# ANSI FLANGES ARE AVAILABLE.
- (2) ALL DIMENSIONS ARE IN INCHES UNLESS NOTED.
- (3) DIMENSIONS REFLECT USEABLE SHAFT LENGTH.
- (4) ROTATION IS ALWAYS VIEWED FROM THE DRIVER END. FOR C.C.W. ROTATION SUCTION AND DISCHARGE POSITIONS WILL BE ON THE OPPOSITE SIDES OF THAT SHOWN AND THE DIMENSIONS IN THE END VIEW WILL BE REVERSED.
- (5) NOT FOR CONSTRUCTION, INSTALLATION, OR APPLICATION PURPOSES UNLESS CERTIFIED. DIMENSIONS SHOWN MAY VARY DUE TO NORMAL MANUFACTURING TOLERANCES.



CLOCKWISE ROTATION SHOWN (4)

PUMP	SUC	DISCH	A	B	D	E	G	H	K	N&V	O
20"5826A	24	20	16.5	33.0	39.0	15.0	1.8	1.50	4.63	6.0	62.0
24"5826A	30	24	20.6	41.2	48.3	18.7	2.0	1.63	5.75	7.0	77.0
30"5826A	36	30	23.0	46.0	54.0	21.0	2.3	1.63	6.50	8.0	87.0
36"5826A	42	36	26.3	52.6	61.7	23.9	2.5	1.75	7.34	9.0	98.3

PUMP	SUC	DISCH	R	S	U	W	X	CP	YY	Z	KEYWAY
20"5826A	24	20	15.0	21.4	4.875	36.0	38.0	66.0	38.0	21.4	1.25 x 0.63
24"5826A	30	24	18.7	26.7	5.875	45.0	47.0	83.0	47.0	26.7	1.5 x 0.75
30"5826A	36	30	21.0	30.0	6.875	51.0	53.0	93.0	53.0	30.0	1.5 x 0.75
36"5826A	42	36	23.9	34.0	7.750	57.5	60.0	106.0	60.0	34.0	1.75 x 0.875

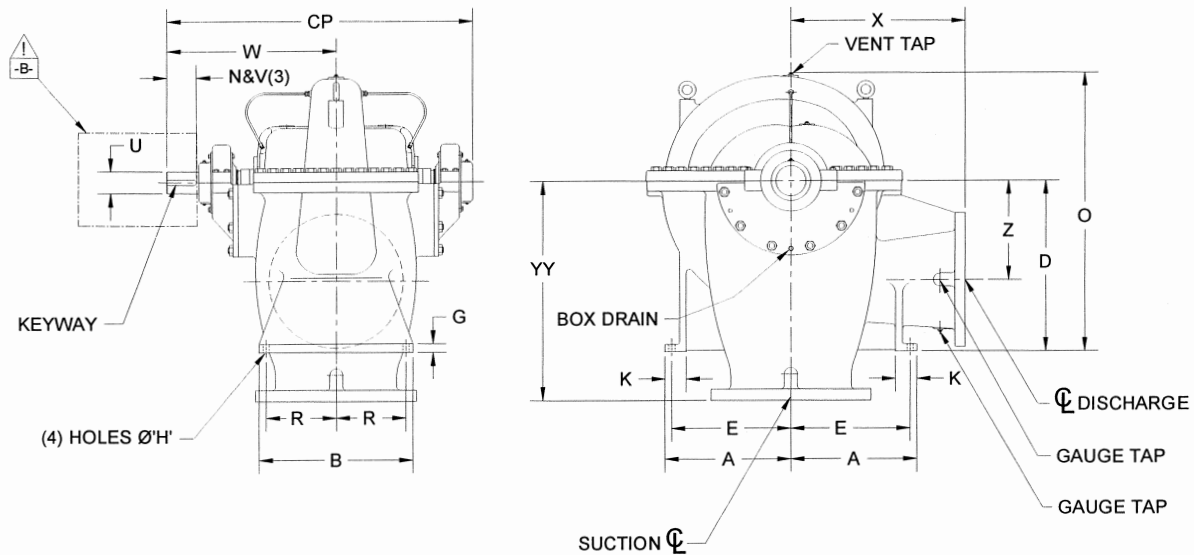
CUSTOMER				P.O. NO.		 <p style="font-size: large; font-weight: bold; margin: 10px 0;">BASIC PUMP DIMENSIONS 20" & LARGER</p>
JOB NAME				TAG NO.		
PUMP SIZE AND MODEL		GPM	TDH	RPM	ROTATION	
MOTOR	HP	FRAME	PHASE	HERTZ	VOLTS	
CERTIFIED FOR			CERTIFIED BY		DATE	DWG NO. 5826AS03 REV NO. 0

WARNING

DO NOT OPERATE THIS MACHINE WITHOUT PROTECTIVE GUARD
IN PLACE ANY OPERATION OF THIS MACHINE WITHOUT
PROTECTIVE GUARD CAN RESULT IN SEVERE BODILY INJURY

-A- SUPPLIED BY FMC -B- SUPPLIED BY OTHERS

- NOTES:
- (1) ALL FLANGES ARE STANDARD 125# ANSI DRILLING. OPTIONAL 250# ANSI FLANGES ARE AVAILABLE.
 - (6) ALL DIMENSIONS ARE IN INCHES UNLESS NOTED.
 - (7) DIMENSIONS REFLECT USEABLE SHAFT LENGTH.
 - (8) ROTATION IS ALWAYS VIEWED FROM THE DRIVER END. FOR C.C.W. ROTATION SUCTION AND DISCHARGE POSITIONS WILL BE ON THE OPPOSITE SIDES OF THAT SHOWN AND THE DIMENSIONS IN THE END VIEW WILL BE REVERSED.
 - (9) NOT FOR CONSTRUCTION, INSTALLATION, OR APPLICATION PURPOSES UNLESS CERTIFIED. DIMENSIONS SHOWN MAY VARY DUE TO NORMAL MANUFACTURING TOLERANCES.



CLOCKWISE ROTATION SHOWN (4)

PUMP	SUC	DISCH	A	B	D	E	G	H	K	N&V	O
20"5826A	24	20	27.2	33.0	37.0	25.5	1.8	1.50	4.63	6.0	60.2
24"5826A	30	24	34.0	41.2	46.0	32.0	2.0	1.63	5.75	7.0	75.2
30"5826A	36	30	38.0	46.0	51.5	36.0	2.3	1.63	6.50	8.0	84.2
36"5826A	42	36	43.4	52.6	58.7	41.1	2.5	1.75	7.34	9.0	96.0

PUMP	SUC	DISCH	R	U	W	X	Z	CP	YY	KEYWAY
20"5826A	24	20	15.0	4.875	36.0	38.0	21.4	66.0	47.2	1.25 x 0.63
24"5826A	30	24	18.7	5.875	45.0	47.0	26.7	83.0	59.0	1.5 x 0.75
30"5826A	36	30	21.0	6.875	51.0	53.0	30.0	93.0	66.0	1.5 x 0.75
36"5826A	42	36	23.9	7.750	57.5	60.0	34.0	106.0	75.3	1.75 x 0.875

CUSTOMER				P.O. NO.		<p>Fairbanks Morse Pentair Pump Group</p> <p>BASIC PUMP DIMENSIONS 20" & LARGER</p>
JOB NAME				TAG NO.		
PUMP SIZE AND MODEL		GPM	TDH	RPM	ROTATION	
MOTOR	HP	FRAME	PHASE	HERTZ	VOLTS ENCLOSURE	
CERTIFIED FOR			CERTIFIED BY	DATE	DWG NO. 5826AB03 REV NO. 0	

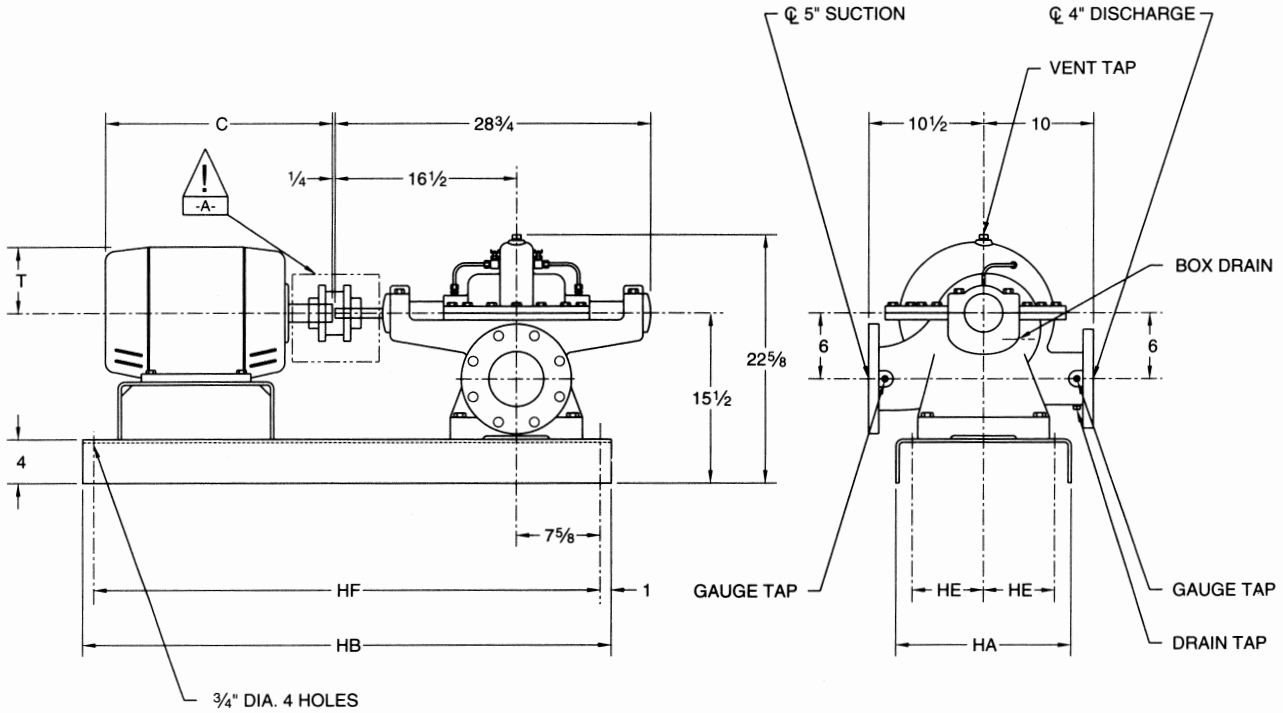
WARNING

DO NOT OPERATE THIS MACHINE WITHOUT PROTECTIVE GUARD IN PLACE. ANY OPERATION OF THIS MACHINE WITHOUT PROTECTIVE GUARD CAN RESULT IN SEVERE BODILY INJURY.

-A- SUPPLIED BY FMPC -B- SUPPLIED BY OTHERS

NOTES:

- (1) ALL FLANGES ARE STANDARD 125# ANSI DRILLING. OPTIONAL 250# ANSI FLANGES ARE AVAILABLE.
- (2) ALL DIMENSIONS ARE IN INCHES UNLESS NOTED.
- (3) ROTATION IS ALWAYS VIEWED FROM THE DRIVER END. FOR C.C.W. ROTATION, SUCTION AND DISCHARGE POSITIONS WILL BE ON OPPOSITE SIDES OF THAT SHOWN ABOVE AND DIMENSIONS IN THE END VIEW WILL BE REVERSED.
- (4) BASES ARE DESIGNED TO BE COMPLETELY FILLED WITH GROUT.
- (5) NOT FOR CONSTRUCTION, INSTALLATION, OR APPLICATION PURPOSES UNLESS CERTIFIED. DIMENSIONS SHOWN MAY VARY DUE TO NORMAL MANUFACTURING TOLERANCES.



CLOCKWISE ROTATION SHOWN (3)

UNIT DIMENSIONS						
MOTOR FRAME SIZE	BASE				MOTOR	
	HA	HB	HE	HF	C	T
145T	16	42	6 1/2	40	12 5/8	3 5/8
182T	16	42	6 1/2	40	13 3/4	4 3/4
184T	16	42	6 1/2	40	14 3/4	4 3/4

UNIT DIMENSIONS						
MOTOR FRAME SIZE	BASE				MOTOR	
	HA	HB	HE	HF	C	T
213T	16	48	6 1/2	46	16	5 1/8
215T	16	48	6 1/2	46	17 1/2	5 1/8
254T	16	48	6 1/2	46	20 5/8	6 3/8

CUSTOMER				P.O. NO.		
JOB NAME				TAG NAME		
PUMP SIZE AND MODEL		GPM	TDH	RPM	ROTATION	
MOTOR	HP	FRAME	PHASE	HERTZ	VOLTS	ENCLOSURE
CERTIFIED FOR			CERTIFIED BY		DATE	
SETTING PLAN 4" 5821 BENT FORM BASE					DWG NO 5820S021	REV NO 0

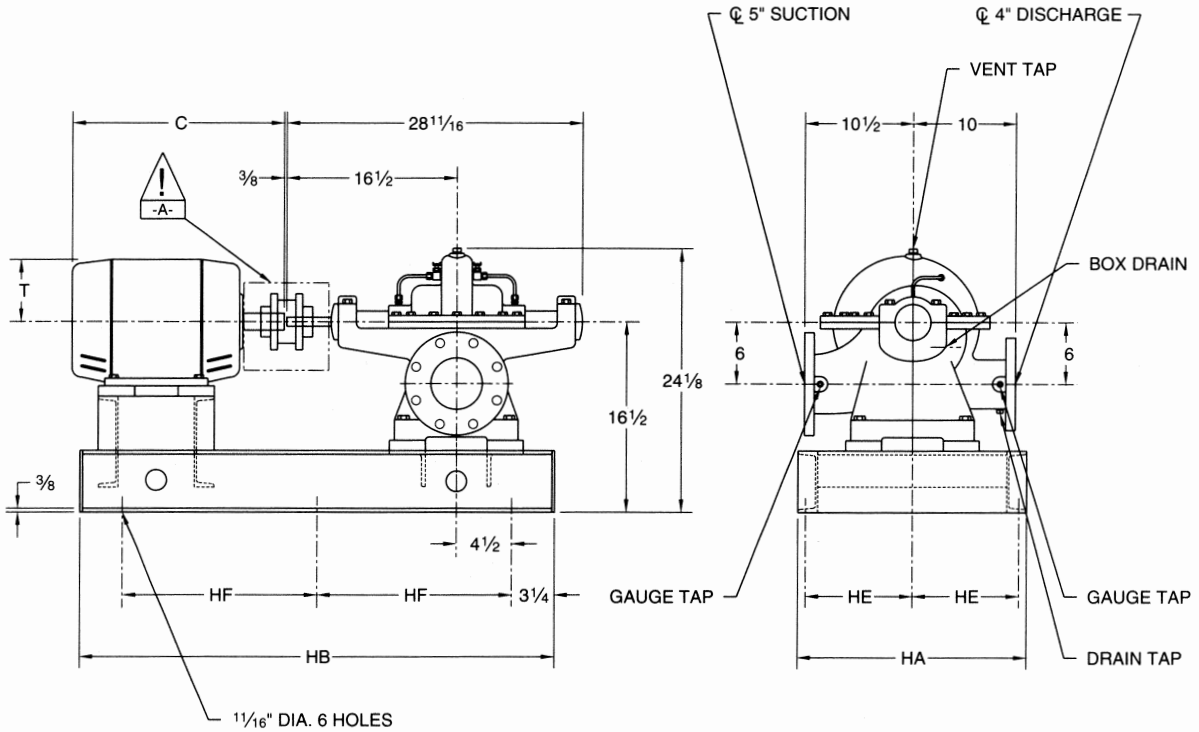
WARNING

DO NOT OPERATE THIS MACHINE WITHOUT PROTECTIVE GUARD IN PLACE. ANY OPERATION OF THIS MACHINE WITHOUT PROTECTIVE GUARD CAN RESULT IN SEVERE BODILY INJURY.

-A- SUPPLIED BY FMPC -B- SUPPLIED BY OTHERS

NOTES:

- (1) ALL FLANGES ARE STANDARD 125# ANSI DRILLING. OPTIONAL 250# ANSI FLANGES ARE AVAILABLE.
- (2) ALL DIMENSIONS ARE IN INCHES UNLESS NOTED.
- (3) ROTATION IS ALWAYS VIEWED FROM THE DRIVER END. FOR C.C.W. ROTATION, SUCTION AND DISCHARGE POSITIONS WILL BE ON OPPOSITE SIDES OF THAT SHOWN ABOVE AND DIMENSIONS IN THE END VIEW WILL BE REVERSED.
- (4) BASES ARE DESIGNED TO BE COMPLETELY FILLED WITH GROUT.
- (5) ONLY ONE HF IS SPACE USED.
- (6) NOT FOR CONSTRUCTION, INSTALLATION, OR APPLICATION PURPOSES UNLESS CERTIFIED. DIMENSIONS SHOWN MAY VARY DUE TO NORMAL MANUFACTURING TOLERANCES.



CLOCKWISE ROTATION SHOWN (3)

MOTOR FRAME SIZE	UNIT DIMENSIONS BASE				MOTOR		
	HA	HB	HE	HF	C	T	
145T	22 1/4	36 1/2	10 1/2	15	12 5/8	3 5/8	
182T	22 1/4	42 1/2	10 1/2	18	13 3/4	4 3/4	
184T	22 1/4	42 1/2	10 1/2	18	14 3/4	4 3/4	

MOTOR FRAME SIZE	UNIT DIMENSIONS BASE				MOTOR		
	HA	HB	HE	HF	C	T	
213T	22 1/4	42 1/2	10 1/2	18	16	5 1/8	
215T	22 1/4	42 1/2	10 1/2	18	17 1/2	5 1/8	
254T	22 1/4	48 1/2	10 1/2	21	20 5/8	6 3/8	

CUSTOMER				P.O. NO.		
JOB NAME				TAG NAME		
PUMP SIZE AND MODEL		GPM	TDH	RPM	ROTATION	
MOTOR	HP	FRAME	PHASE	HERTZ	VOLTS	ENCLOSURE
CERTIFIED FOR			CERTIFIED BY		DATE	
					SETTING PLAN 4" 5821 OPTIONAL STRUCTURAL BASE	DWG NO 5820S023 REV NO 0

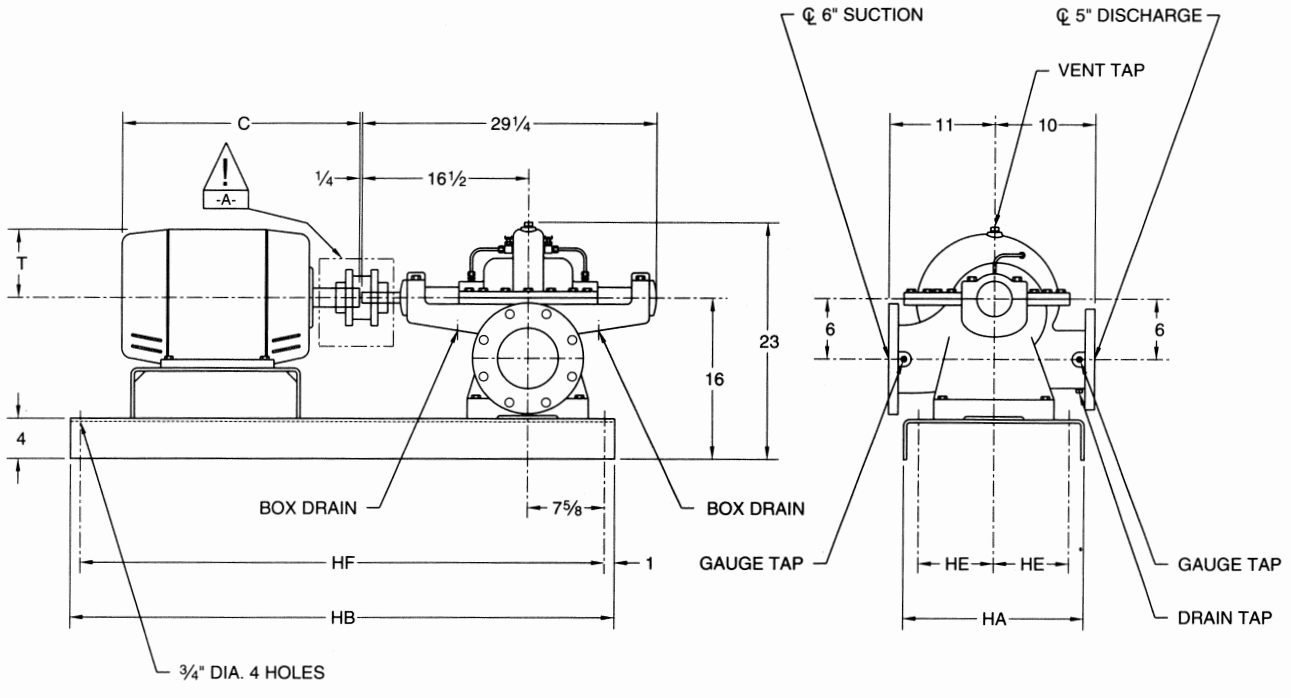
WARNING

DO NOT OPERATE THIS MACHINE WITHOUT PROTECTIVE GUARD IN PLACE. ANY OPERATION OF THIS MACHINE WITHOUT PROTECTIVE GUARD CAN RESULT IN SEVERE BODILY INJURY.

-A- SUPPLIED BY FMPC -B- SUPPLIED BY OTHERS

NOTES:

- (1) ALL FLANGES ARE STANDARD 125# ANSI DRILLING. OPTIONAL 250# ANSI FLANGES ARE AVAILABLE.
- (2) ALL DIMENSIONS ARE IN INCHES UNLESS NOTED.
- (3) ROTATION IS ALWAYS VIEWED FROM THE DRIVER END. FOR C.C.W. ROTATION, SUCTION AND DISCHARGE POSITIONS WILL BE ON OPPOSITE SIDES OF THAT SHOWN ABOVE AND DIMENSIONS IN THE END VIEW WILL BE REVERSED.
- (4) BASES ARE DESIGNED TO BE COMPLETELY FILLED WITH GROUT.
- (5) NOT FOR CONSTRUCTION, INSTALLATION, OR APPLICATION PURPOSES UNLESS CERTIFIED. DIMENSIONS SHOWN MAY VARY DUE TO NORMAL MANUFACTURING TOLERANCES.



CLOCKWISE ROTATION SHOWN (3)

MOTOR FRAME SIZE	BASE			MOTOR		
	HA	HB	HE	HF	C	T
145T	16	42	6 1/2	40	12 5/8	3 5/8
182T	16	42	6 1/2	40	13 3/4	4 3/4
184T	16	42	6 1/2	40	14 3/4	4 3/4
213T	16	48	6 1/2	46	16	5 1/8
215T	16	48	6 1/2	46	17 1/2	5 1/8

MOTOR FRAME SIZE	BASE			MOTOR		
	HA	HB	HE	HF	C	T
254T	16	48	6 1/2	46	20 5/8	6 3/8
256T	16	48	6 1/2	46	22 3/8	6 3/8
284TS	18	54	7 1/2	52	22 1/8	7
284T	18	54	7 1/2	52	23 1/2	7

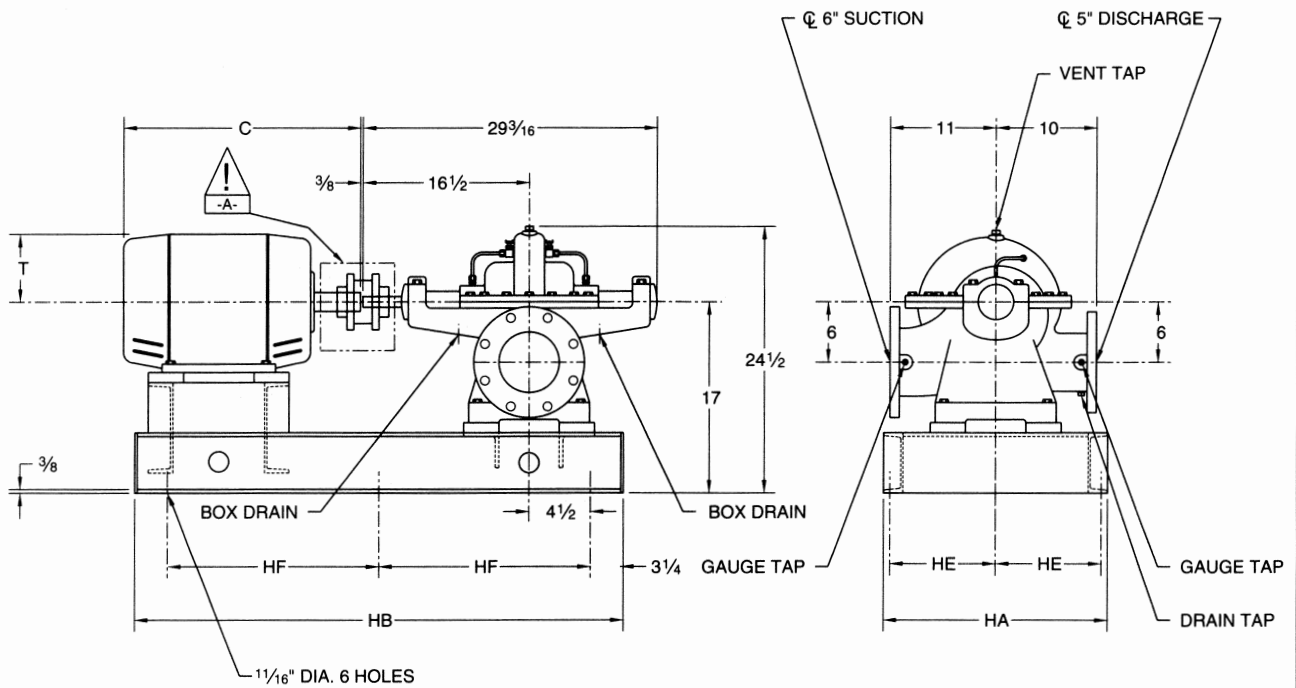
CUSTOMER				P.O. NO.			
JOB NAME				TAG NAME			
PUMP SIZE AND MODEL		GPM	TDH	RPM	ROTATION		
MOTOR	HP	FRAME	PHASE	HERTZ	VOLTS	ENCLOSURE	
CERTIFIED FOR			CERTIFIED BY		DATE		
					DWG NO.	5820S025	REV NO. 0

WARNING

DO NOT OPERATE THIS MACHINE WITHOUT PROTECTIVE GUARD IN PLACE. ANY OPERATION OF THIS MACHINE WITHOUT PROTECTIVE GUARD CAN RESULT IN SEVERE BODILY INJURY.

-A- SUPPLIED BY FMPC -B- SUPPLIED BY OTHERS

- NOTES:
- (1) ALL FLANGES ARE STANDARD 125# ANSI DRILLING. OPTIONAL 250# ANSI FLANGES ARE AVAILABLE.
 - (2) ALL DIMENSIONS ARE IN INCHES UNLESS NOTED.
 - (3) ROTATION IS ALWAYS VIEWED FROM THE DRIVER END. FOR C.C.W. ROTATION, SUCTION AND DISCHARGE POSITIONS WILL BE ON OPPOSITE SIDES OF THAT SHOWN ABOVE AND DIMENSIONS IN THE END VIEW WILL BE REVERSED.
 - (4) BASES ARE DESIGNED TO BE COMPLETELY FILLED WITH GROUT.
 - (5) NOT FOR CONSTRUCTION, INSTALLATION, OR APPLICATION PURPOSES UNLESS CERTIFIED. DIMENSIONS SHOWN MAY VARY DUE TO NORMAL MANUFACTURING TOLERANCES.




CLOCKWISE ROTATION SHOWN (3)

MOTOR FRAME SIZE	UNIT DIMENSIONS BASE				MOTOR	
	HA	HB	HE	HF	C	T
145T	22 1/4	36 1/2	10 1/2	15	12 5/8	3 5/8
182T	22 1/4	42 1/2	10 1/2	18	13 3/4	4 3/4
184T	22 1/4	42 1/2	10 1/2	18	14 3/4	4 3/4
213T	22 1/4	42 1/2	10 1/2	18	16	5 1/8
215T	22 1/4	42 1/2	10 1/2	18	17 1/2	5 1/8

MOTOR FRAME SIZE	UNIT DIMENSIONS BASE				MOTOR	
	HA	HB	HE	HF	C	T
254T	22 1/4	48 1/2	10 1/2	21	20 5/8	6 3/8
256T	22 1/4	48 1/2	10 1/2	21	22 3/8	6 3/8
284TS	22 1/4	48 1/2	10 1/2	21	22 1/8	7
284T	22 1/4	48 1/2	10 1/2	21	23 1/2	7

CUSTOMER				P.O. NO.			
JOB NAME				TAG NAME			
PUMP SIZE AND MODEL		GPM	TDH	RPM	ROTATION		
MOTOR	HP	FRAME	PHASE	HERTZ	VOLTS	ENCLOSURE	
CERTIFIED FOR			CERTIFIED BY		DATE		
					DWG NO	5820S027	REV NO 0

SETTING PLAN
5" 5821
OPTIONAL
STRUCTURAL BASE



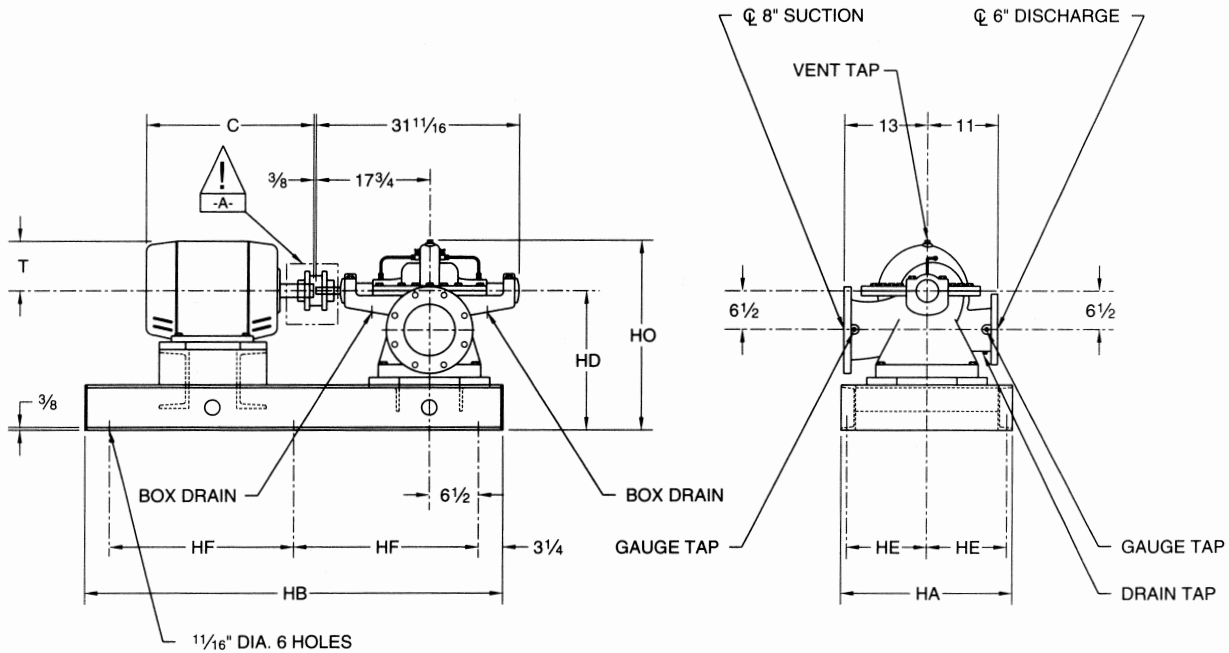
WARNING

DO NOT OPERATE THIS MACHINE WITHOUT PROTECTIVE GUARD IN PLACE. ANY OPERATION OF THIS MACHINE WITHOUT PROTECTIVE GUARD CAN RESULT IN SEVERE BODILY INJURY.

-A- SUPPLIED BY FMPC -B- SUPPLIED BY OTHERS

NOTES:


- (1) ALL FLANGES ARE STANDARD 125# ANSI DRILLING. OPTIONAL 250# ANSI FLANGES ARE AVAILABLE.
- (2) ALL DIMENSIONS ARE IN INCHES UNLESS NOTED.
- (3) ROTATION IS ALWAYS VIEWED FROM THE DRIVER END. FOR C.C.W. ROTATION, SUCTION AND DISCHARGE POSITIONS WILL BE ON OPPOSITE SIDES OF THAT SHOWN ABOVE AND DIMENSIONS IN THE END VIEW WILL BE REVERSED.
- (4) BASES ARE DESIGNED TO BE COMPLETELY FILLED WITH GROUT.
- (5) NOT FOR CONSTRUCTION, INSTALLATION, OR APPLICATION PURPOSES UNLESS CERTIFIED. DIMENSIONS SHOWN MAY VARY DUE TO NORMAL MANUFACTURING TOLERANCES.



CLOCKWISE ROTATION SHOWN (3)

UNIT DIMENSIONS								
MOTOR FRAME SIZE	BASE						MOTOR	
	HA	HB	HD	HE	HF	HO	C	T
213T	22 1/4	42 1/2	18 1/2	10 1/2	18	26 7/8	16	5 1/8
215T	22 1/4	48 1/2	18 1/2	10 1/2	21	26 7/8	17 1/2	5 1/8
254T	22 1/4	48 1/2	18 1/2	10 1/2	21	26 7/8	20 5/8	6 3/8
256T	22 1/4	48 1/2	18 1/2	10 1/2	21	26 7/8	22 3/8	6 3/8
284TS	22 3/4	54 1/2	20 1/2	10 5/8	24	28 7/8	22 1/8	7

UNIT DIMENSIONS								
MOTOR FRAME SIZE	BASE						MOTOR	
	HA	HB	HD	HE	HF	HO	C	T
284T	22 3/4	54 1/2	20 1/2	10 5/8	24	28 7/8	23 1/2	7
286TS	22 3/4	54 1/2	20 1/2	10 5/8	24	28 7/8	23 3/8	7
286T	22 3/4	54 1/2	20 1/2	10 5/8	24	28 7/8	25	7
324TS	22 3/4	54 1/2	20 1/2	10 5/8	24	28 7/8	24 5/8	8
324T	22 3/4	54 1/2	20 1/2	10 5/8	24	28 7/8	26 1/8	8

CUSTOMER				P.O. NO.		 <p>SETTING PLAN 6" 5821 STRUCTURAL BASE</p>
JOB NAME				TAG NAME		
PUMP SIZE AND MODEL		GPM	TDH	RPM		
MOTOR		HP	FRAME	PHASE	HERTZ	
CERTIFIED FOR			CERTIFIED BY		DATE	DWG NO 5820S031 REV NO 0

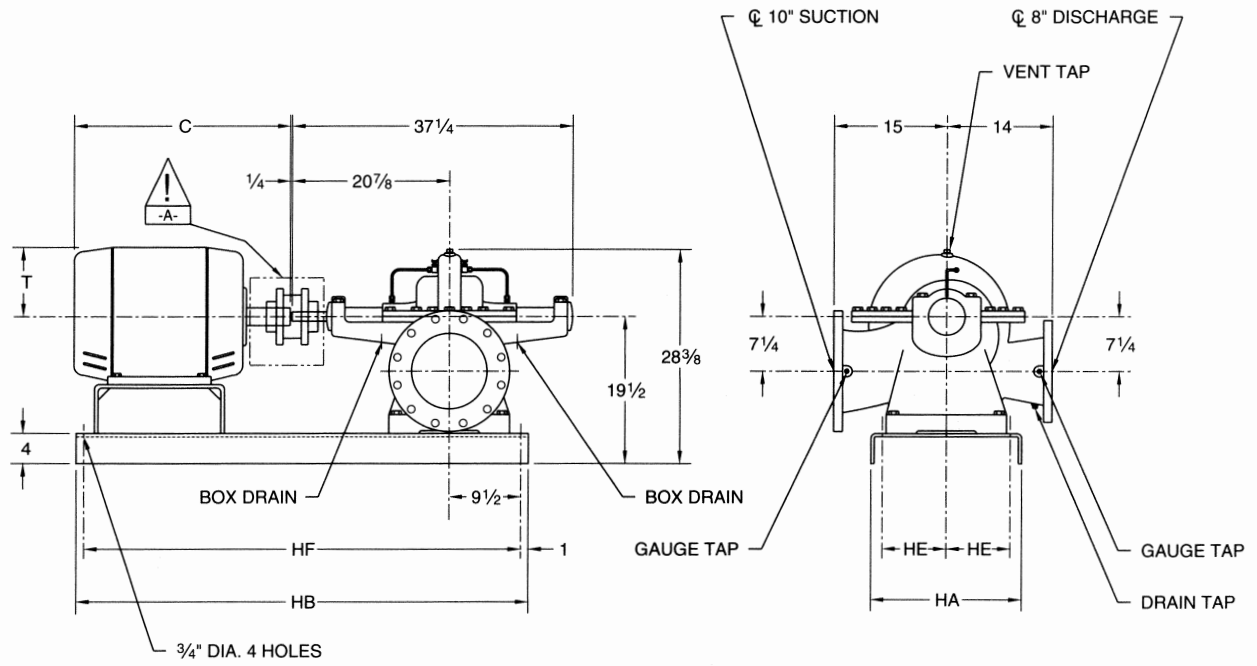
WARNING

DO NOT OPERATE THIS MACHINE WITHOUT PROTECTIVE GUARD IN PLACE. ANY OPERATION OF THIS MACHINE WITHOUT PROTECTIVE GUARD CAN RESULT IN SEVERE BODILY INJURY.

-A- SUPPLIED BY FMPC -B- SUPPLIED BY OTHERS

NOTES:

- (1) ALL FLANGES ARE STANDARD 125# ANSI DRILLING. OPTIONAL 250# ANSI FLANGES ARE AVAILABLE.
- (2) ALL DIMENSIONS ARE IN INCHES UNLESS NOTED.
- (3) ROTATION IS ALWAYS VIEWED FROM THE DRIVER END. FOR C.C.W. ROTATION, SUCTION AND DISCHARGE POSITIONS WILL BE ON OPPOSITE SIDES OF THAT SHOWN ABOVE AND DIMENSIONS IN THE END VIEW WILL BE REVERSED.
- (4) BASES ARE DESIGNED TO BE COMPLETELY FILLED WITH GROUT.
- (5) NOT FOR CONSTRUCTION, INSTALLATION, OR APPLICATION PURPOSES UNLESS CERTIFIED. DIMENSIONS SHOWN MAY VARY DUE TO NORMAL MANUFACTURING TOLERANCES.



CLOCKWISE ROTATION SHOWN (3)

UNIT DIMENSIONS							
MOTOR FRAME	BASE				MOTOR		
SIZE	HA	HB	HE	HF	C	T	
215T	18	54	7½	52	17½	5½	
254T	18	54	7½	52	20⅝	6⅜	
256T	18	54	7½	52	22⅜	6⅝	
284TS	20	60	8½	58	22⅛	7	
284T	20	60	8½	58	23½	7	
286TS	20	60	8½	58	23⅝	7	
286T	20	60	8½	58	25	7	

UNIT DIMENSIONS							
MOTOR FRAME	BASE				MOTOR		
SIZE	HA	HB	HE	HF	C	T	
324TS	20	60	8½	58	24⅝	8	
324T	20	60	8½	58	26⅛	8	
326TS	20	60	8½	58	26⅛	8	
326T	20	60	8½	58	27⅝	8	
364TS	20	60	8½	58	26⅝	9¼	
364T	20	60	8½	58	28¾	9¼	

CUSTOMER				P.O. NO.		<p>SETTING PLAN 8" 5821 BENT FORM BASE</p>	
JOB NAME				TAG NAME			
PUMP SIZE AND MODEL		GPM	TDH	RPM	ROTATION		
MOTOR	HP	FRAME	PHASE	HERTZ	VOLTS	ENCLOSURE	
CERTIFIED FOR			CERTIFIED BY		DATE		DWG NO 5820S033 REV NO 0



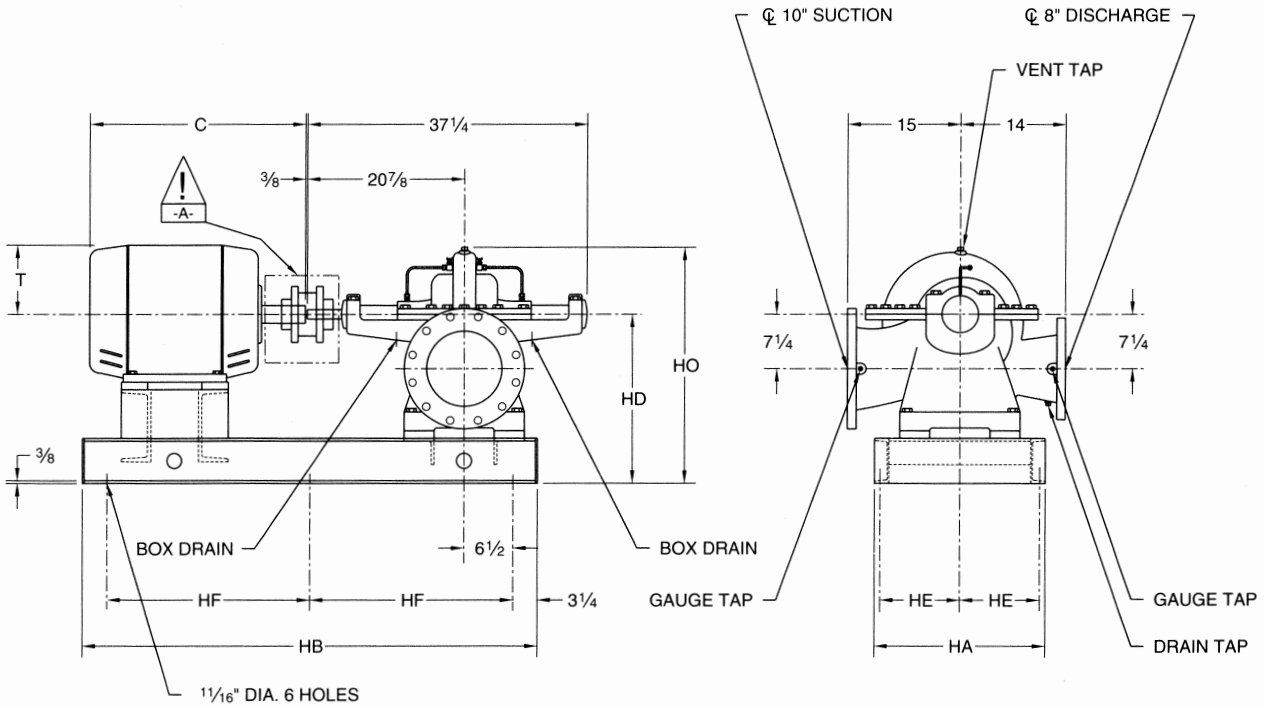
WARNING

DO NOT OPERATE THIS MACHINE WITHOUT PROTECTIVE GUARD IN PLACE. ANY OPERATION OF THIS MACHINE WITHOUT PROTECTIVE GUARD CAN RESULT IN SEVERE BODILY INJURY.

-A- SUPPLIED BY FMPC -B- SUPPLIED BY OTHERS

NOTES:

- (1) ALL FLANGES ARE STANDARD 125# ANSI DRILLING. OPTIONAL 250# ANSI FLANGES ARE AVAILABLE.
- (2) ALL DIMENSIONS ARE IN INCHES UNLESS NOTED.
- (3) ROTATION IS ALWAYS VIEWED FROM THE DRIVER END. FOR C.C.W. ROTATION, SUCTION AND DISCHARGE POSITIONS WILL BE ON OPPOSITE SIDES OF THAT SHOWN ABOVE AND DIMENSIONS IN THE END VIEW WILL BE REVERSED.
- (4) BASES ARE DESIGNED TO BE COMPLETELY FILLED WITH GROUT.
- (5) NOT FOR CONSTRUCTION, INSTALLATION, OR APPLICATION PURPOSES UNLESS CERTIFIED. DIMENSIONS SHOWN MAY VARY DUE TO NORMAL MANUFACTURING TOLERANCES.



CLOCKWISE ROTATION SHOWN (3)

MOTOR FRAME SIZE	UNIT DIMENSIONS BASE						MOTOR	
	HA	HB	HD	HE	HF	HO	C	T
215T	22 1/4	48 1/2	20 1/2	10 1/2	21	30	17 1/2	5 1/8
254T	22 3/4	54 1/2	22 1/2	10 5/8	24	32	20 5/8	6 3/8
256T	22 3/4	54 1/2	22 1/2	10 5/8	24	32	22 3/8	6 3/8
284TS	22 3/4	54 1/2	22 1/2	10 5/8	24	32	22 1/8	7
284T	22 3/4	54 1/2	22 1/2	10 5/8	24	32	23 1/2	7
286TS	22 3/4	54 1/2	22 1/2	10 5/8	24	32	23 5/8	7
286T	22 3/4	54 1/2	22 1/2	10 5/8	24	32	25	7

MOTOR FRAME SIZE	UNIT DIMENSIONS BASE						MOTOR	
	HA	HB	HD	HE	HF	HO	C	T
324TS	22 3/4	54 1/2	22 1/2	10 5/8	24	32	24 5/8	8
324T	22 3/4	54 1/2	22 1/2	10 5/8	24	32	26 1/8	8
326TS	22 3/4	60 1/2	22 1/2	10 5/8	24	32	26 1/8	8
326T	22 3/4	60 1/2	22 1/2	10 5/8	27	32	27 5/8	8
364TS	22 3/4	60 1/2	22 1/2	10 5/8	27	32	26 5/8	9 1/4
364T	22 3/4	60 1/2	22 1/2	10 5/8	27	32	28 3/4	9 1/4

CUSTOMER				P.O. NO.					
JOB NAME				TAG NAME					
PUMP SIZE AND MODEL		GPM	TDH	RPM	ROTATION				
MOTOR	HP	FRAME	PHASE	HERTZ	VOLTS	ENCLOSURE			
CERTIFIED FOR			CERTIFIED BY		DATE				
				SETTING PLAN 8" 2821 OPTIONAL STRUCTURAL BASE				DWG NO.	REV NO.
								5820S035	0

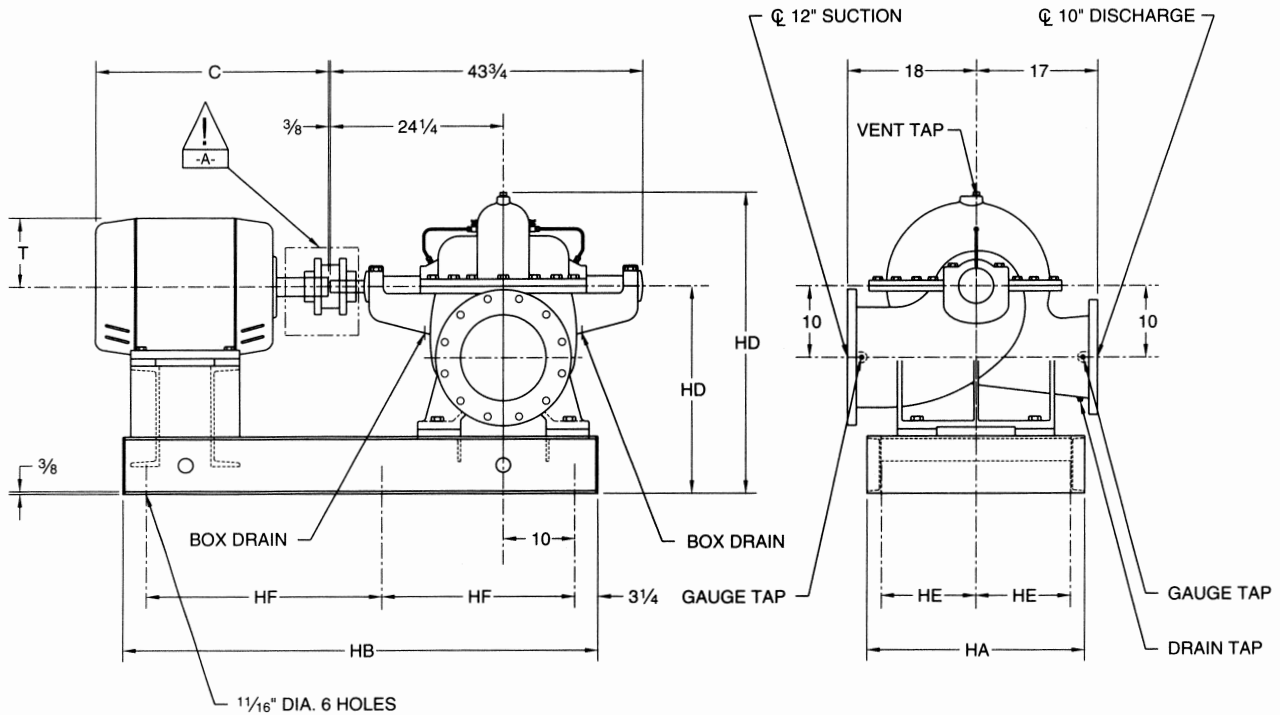
WARNING

DO NOT OPERATE THIS MACHINE WITHOUT PROTECTIVE GUARD IN PLACE. ANY OPERATION OF THIS MACHINE WITHOUT PROTECTIVE GUARD CAN RESULT IN SEVERE BODILY INJURY.

-A- SUPPLIED BY FMPC -B- SUPPLIED BY OTHERS

NOTES:

- (1) ALL FLANGES ARE STANDARD 125# ANSI DRILLING. OPTIONAL 250# ANSI FLANGES ARE AVAILABLE.
- (2) ALL DIMENSIONS ARE IN INCHES UNLESS NOTED.
- (3) ROTATION IS ALWAYS VIEWED FROM THE DRIVER END. FOR C.C.W. ROTATION, SUCTION AND DISCHARGE POSITIONS WILL BE ON OPPOSITE SIDES OF THAT SHOWN ABOVE AND DIMENSIONS IN THE END VIEW WILL BE REVERSED.
- (4) BASES ARE DESIGNED TO BE COMPLETELY FILLED WITH GROUT.
- (5) NOT FOR CONSTRUCTION, INSTALLATION, OR APPLICATION PURPOSES UNLESS CERTIFIED. DIMENSIONS SHOWN MAY VARY DUE TO NORMAL MANUFACTURING TOLERANCES.



CLOCKWISE ROTATION SHOWN (3)

MOTOR FRAME SIZE	UNIT DIMENSIONS BASE						MOTOR	
	HA	HB	HD	HE	HF	HO	C	T
284TS	30 1/2	60 1/2	27	14 1/2	27	41 7/8	22 1/8	7
284T	30 1/2	60 1/2	27	14 1/2	27	41 7/8	23 1/2	7
286TS	30 1/2	60 1/2	27	14 1/2	27	41 7/8	23 5/8	7
286T	30 1/2	60 1/2	27	14 1/2	27	41 7/8	25	7
324TS	30 1/2	66 1/2	27	14 1/2	30	41 7/8	24 5/8	8
324T	30 1/2	66 1/2	27	14 1/2	30	41 7/8	26 1/8	8
326TS	30 1/2	66 1/2	27	14 1/2	30	41 7/8	26 1/8	8

MOTOR FRAME SIZE	UNIT DIMENSIONS BASE						MOTOR	
	HA	HB	HD	HE	HF	HO	C	T
326T	30 1/2	66 1/2	27	14 1/2	30	41 7/8	27 5/8	8
364TS	30 1/2	66 1/2	27	14 1/2	30	41 7/8	26 5/8	9 1/4
364T	30 1/2	66 1/2	27	14 1/2	30	41 7/8	28 3/4	9 1/4
365TS	30 1/2	66 1/2	27	14 1/2	30	41 7/8	27 5/8	9 1/4
365T	30 1/2	66 1/2	27	14 1/2	30	41 7/8	29 3/4	9 1/4
404TS	30 1/2	66 1/2	27	14 1/2	30	41 7/8	29 5/8	10 1/4
404T	30 1/2	66 1/2	27	14 1/2	30	41 7/8	32 5/8	10 1/4

CUSTOMER				P.O. NO.		SETTING PLAN 10" 5821 STRUCTURAL BASE	
JOB NAME				TAG NAME			
PUMP SIZE AND MODEL		GPM	TDH	RPM	ROTATION		
MOTOR	HP	FRAME	PHASE	HERTZ	VOLTS	ENCLOSURE	
CERTIFIED FOR			CERTIFIED BY		DATE		
					DWG NO	5820S039	REV NO 0

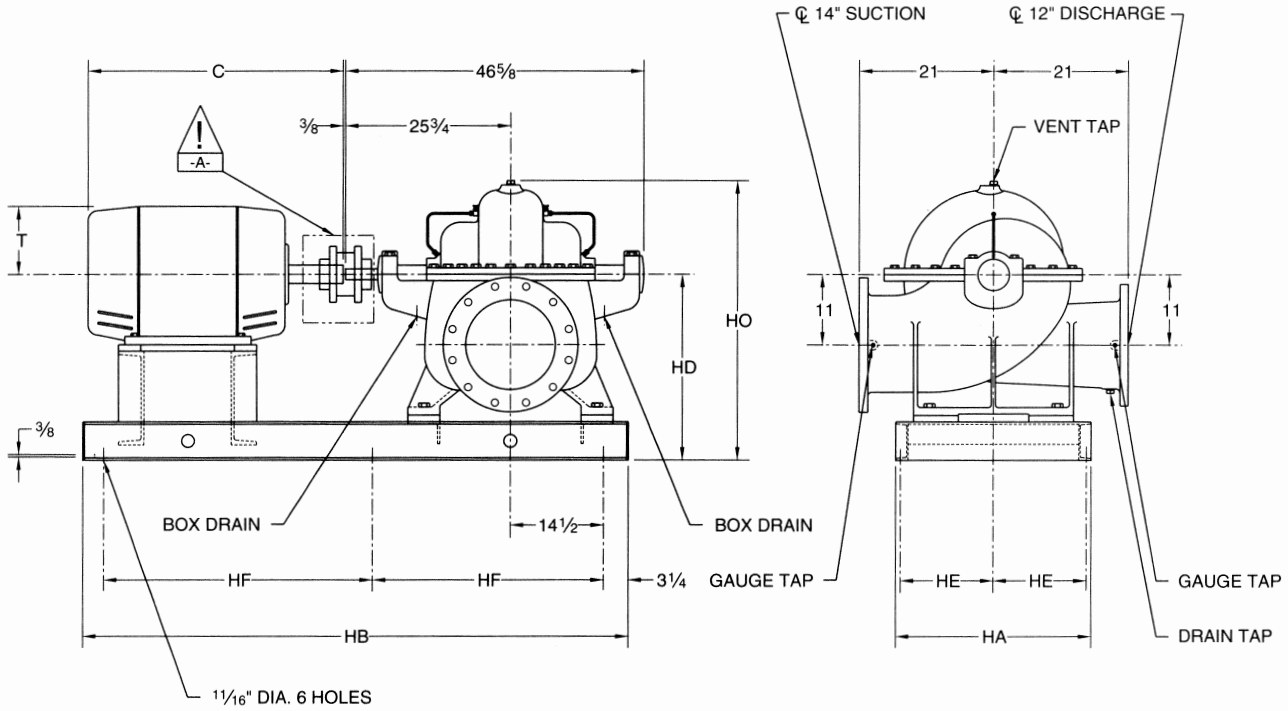
WARNING

DO NOT OPERATE THIS MACHINE WITHOUT PROTECTIVE GUARD IN PLACE. ANY OPERATION OF THIS MACHINE WITHOUT PROTECTIVE GUARD CAN RESULT IN SEVERE BODILY INJURY.

-A- SUPPLIED BY FMPC -B- SUPPLIED BY OTHERS

NOTES:

- (1) ALL FLANGES ARE STANDARD 125# ANSI DRILLING. OPTIONAL 250# ANSI FLANGES ARE AVAILABLE.
- (2) ALL DIMENSIONS ARE IN INCHES UNLESS NOTED.
- (3) ROTATION IS ALWAYS VIEWED FROM THE DRIVER END. FOR C.C.W. ROTATION, SUCTION AND DISCHARGE POSITIONS WILL BE ON OPPOSITE SIDES OF THAT SHOWN ABOVE AND DIMENSIONS IN THE END VIEW WILL BE REVERSED.
- (4) BASES ARE DESIGNED TO BE COMPLETELY FILLED WITH GROUT.
- (5) NOT FOR CONSTRUCTION, INSTALLATION, OR APPLICATION PURPOSES UNLESS CERTIFIED. DIMENSIONS SHOWN MAY VARY DUE TO NORMAL MANUFACTURING TOLERANCES.



CLOCKWISE ROTATION SHOWN (3)

UNIT DIMENSIONS								
MOTOR FRAME SIZE	BASE					MOTOR		
	HA	HB	HD	HE	HF	HO	C	T
286TS	30 1/2	66 1/2	29	14 1/2	30	46 3/8	23 5/8	7
286T	30 1/2	66 1/2	29	14 1/2	30	46 3/8	25	7
324TS	31 1/4	72 1/2	31	14 3/4	33	48 3/8	24 5/8	8
324T	31 1/4	72 1/2	31	14 3/4	33	48 3/8	26 1/8	8
326TS	31 1/4	72 1/2	31	14 3/4	33	48 3/8	26 1/8	8
326T	31 1/4	72 1/2	31	14 3/4	33	48 3/8	27 5/8	8
364TS	31 1/4	72 1/2	31	14 3/4	33	48 3/8	26 5/8	9 1/4
364T	31 1/4	72 1/2	31	14 3/4	33	48 3/8	28 3/4	9 1/4
365TS	31 1/4	72 1/2	31	14 3/4	33	48 3/8	27 5/8	9 1/4

UNIT DIMENSIONS								
MOTOR FRAME SIZE	BASE					MOTOR		
	HA	HB	HD	HE	HF	HO	C	T
365T	31 1/4	72 1/2	31	14 3/4	33	48 3/8	29 3/4	9 1/4
404TS	31 1/4	72 1/2	31	14 3/4	33	48 3/8	29 5/8	10 1/4
404T	31 1/4	72 1/2	31	14 3/4	33	48 3/8	32 5/8	10 1/4
405TS	31 1/4	84 1/2	31	14 3/4	39	48 3/8	31 1/8	10 1/4
405T	31 1/4	84 1/2	31	14 3/4	39	48 3/8	34 1/8	10 1/4
444TS	31 1/4	84 1/2	31	14 3/4	39	48 3/8	34 1/8	11 1/4
444T	31 1/4	84 1/2	31	14 3/4	39	48 3/8	37 7/8	11 1/4
445TS	31 1/4	84 1/2	31	14 3/4	39	48 3/8	36 1/8	11 1/4
445T	31 1/4	84 1/2	31	14 3/4	39	48 3/8	39 7/8	11 1/4

CUSTOMER				P.O. NO.		
JOB NAME				TAG NAME		
PUMP SIZE AND MODEL		GPM	TDH	RPM		ROTATION
MOTOR	HP	FRAME	PHASE	HERTZ	VOLTS	ENCLOSURE
CERTIFIED FOR			CERTIFIED BY		DATE	
					DWG NO. 5820S041	REV NO. 0



SETTING PLAN
12" 5821
STRUCTURAL BASE

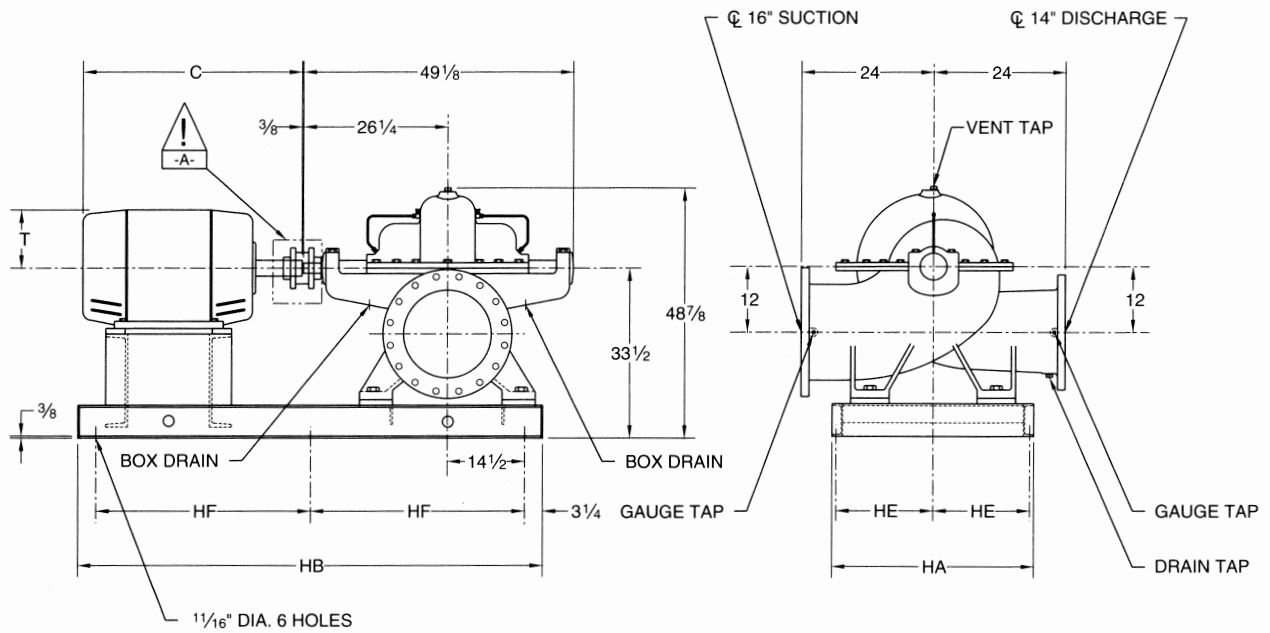
WARNING

DO NOT OPERATE THIS MACHINE WITHOUT PROTECTIVE GUARD IN PLACE. ANY OPERATION OF THIS MACHINE WITHOUT PROTECTIVE GUARD CAN RESULT IN SEVERE BODILY INJURY.

-A- SUPPLIED BY FMPC -B- SUPPLIED BY OTHERS

NOTES:

- (1) ALL FLANGES ARE STANDARD 125# ANSI DRILLING. OPTIONAL 250# ANSI FLANGES ARE AVAILABLE.
- (2) ALL DIMENSIONS ARE IN INCHES UNLESS NOTED.
- (3) ROTATION IS ALWAYS VIEWED FROM THE DRIVER END. FOR C.C.W. ROTATION, SUCTION AND DISCHARGE POSITIONS WILL BE ON OPPOSITE SIDES OF THAT SHOWN ABOVE AND DIMENSIONS IN THE END VIEW WILL BE REVERSED.
- (4) BASES ARE DESIGNED TO BE COMPLETELY FILLED WITH GROUT.
- (5) NOT FOR CONSTRUCTION, INSTALLATION, OR APPLICATION PURPOSES UNLESS CERTIFIED. DIMENSIONS SHOWN MAY VARY DUE TO NORMAL MANUFACTURING TOLERANCES.



CLOCKWISE ROTATION SHOWN (3)

MOTOR FRAME SIZE	BASE				MOTOR	
	HA	HB	HE	HF	C	T
364TS	36 3/4	72 1/2	17 1/2	33	26 5/8	9 1/4
364T	36 3/4	72 1/2	17 1/2	33	28 3/4	9 1/4
365TS	36 3/4	72 1/2	17 1/2	33	27 5/8	9 1/4
365T	36 3/4	72 1/2	17 1/2	33	29 3/4	9 1/4
404TS	36 3/4	84 1/2	17 1/2	39	29 5/8	10 1/4
404T	36 3/4	84 1/2	17 1/2	39	32 5/8	10 1/4

MOTOR FRAME SIZE	BASE				MOTOR	
	HA	HB	HE	HF	C	T
405TS	36 3/4	84 1/2	17 1/2	39	31 1/8	10 1/4
405T	36 3/4	84 1/2	17 1/2	39	34 1/8	10 1/4
444TS	36 3/4	84 1/2	17 1/2	39	34 1/8	11 1/4
444T	36 3/4	84 1/2	17 1/2	39	37 7/8	11 1/4
445TS	36 3/4	84 1/2	17 1/2	39	36 1/8	11 1/4
445T	36 3/4	84 1/2	17 1/2	39	39 7/8	11 1/4

CUSTOMER				P.O. NO.		
JOB NAME				TAG NAME		
PUMP SIZE AND MODEL		GPM	TDH	RPM	ROTATION	
MOTOR	HP	FRAME	PHASE	HERTZ	VOLTS	ENCLOSURE
CERTIFIED FOR			CERTIFIED BY		DATE	
					DWG NO. 5820S043	REV NO. 0

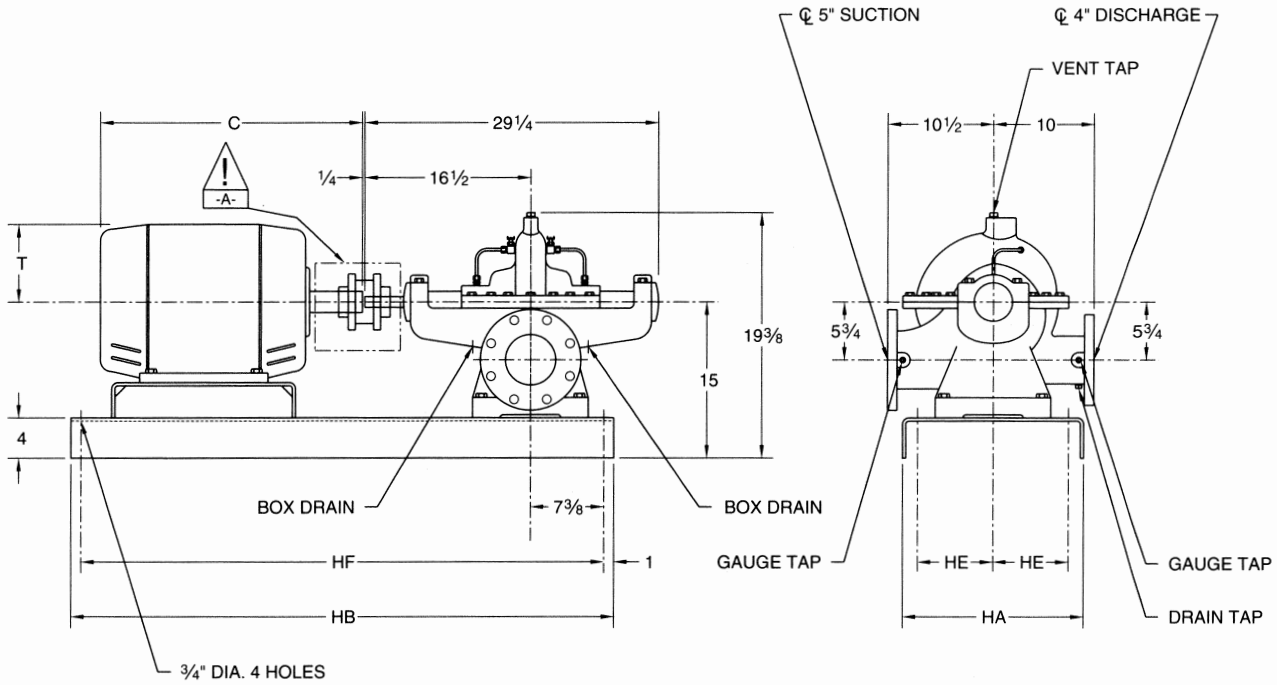
WARNING

DO NOT OPERATE THIS MACHINE WITHOUT PROTECTIVE GUARD IN PLACE. ANY OPERATION OF THIS MACHINE WITHOUT PROTECTIVE GUARD CAN RESULT IN SEVERE BODILY INJURY.

-A- SUPPLIED BY FMPC -B- SUPPLIED BY OTHERS

NOTES:

- (1) ALL FLANGES ARE STANDARD 125# ANSI DRILLING. OPTIONAL 250# ANSI FLANGES ARE AVAILABLE.
- (2) ALL DIMENSIONS ARE IN INCHES UNLESS NOTED.
- (3) ROTATION IS ALWAYS VIEWED FROM THE DRIVER END. FOR C.C.W. ROTATION, SUCTION AND DISCHARGE POSITIONS WILL BE ON OPPOSITE SIDES OF THAT SHOWN ABOVE AND DIMENSIONS IN THE END VIEW WILL BE REVERSED.
- (4) BASES ARE DESIGNED TO BE COMPLETELY FILLED WITH GROUT.
- (5) NOT FOR CONSTRUCTION, INSTALLATION, OR APPLICATION PURPOSES UNLESS CERTIFIED. DIMENSIONS SHOWN MAY VARY DUE TO NORMAL MANUFACTURING TOLERANCES.




CLOCKWISE ROTATION SHOWN (3)

UNIT DIMENSIONS						
MOTOR FRAME SIZE	BASE				MOTOR	
	HA	HB	HE	HF	C	T
184T	16	42	6 1/2	40	14 3/4	4 3/4
213T	16	48	6 1/2	46	16	5 1/8
215T	16	48	6 1/2	46	17 1/2	5 1/8
254T	16	48	6 1/2	46	20 5/8	6 3/8
256T	16	48	6 1/2	46	22 3/8	6 3/8
284TS	18	54	7 1/2	52	22 1/8	7

UNIT DIMENSIONS						
MOTOR FRAME SIZE	BASE				MOTOR	
	HA	HB	HE	HF	C	T
284T	18	54	7 1/2	52	23 1/2	7
286TS	18	54	7 1/2	52	23 3/8	7
286T	18	54	7 1/2	52	25	7
324TS	18	54	7 1/2	52	24 5/8	8
324T	18	54	7 1/2	52	26 1/8	8

CUSTOMER				P.O. NO.		
JOB NAME				TAG NAME		
PUMP SIZE AND MODEL		GPM	TDH	RPM		ROTATION
MOTOR	HP	FRAME	PHASE	HERTZ	VOLTS	ENCLOSURE
CERTIFIED FOR			CERTIFIED BY		DATE	SETTING PLAN 4" 5822 BENT FORM BASE
					DWG NO. 5820S045	REV NO. 0



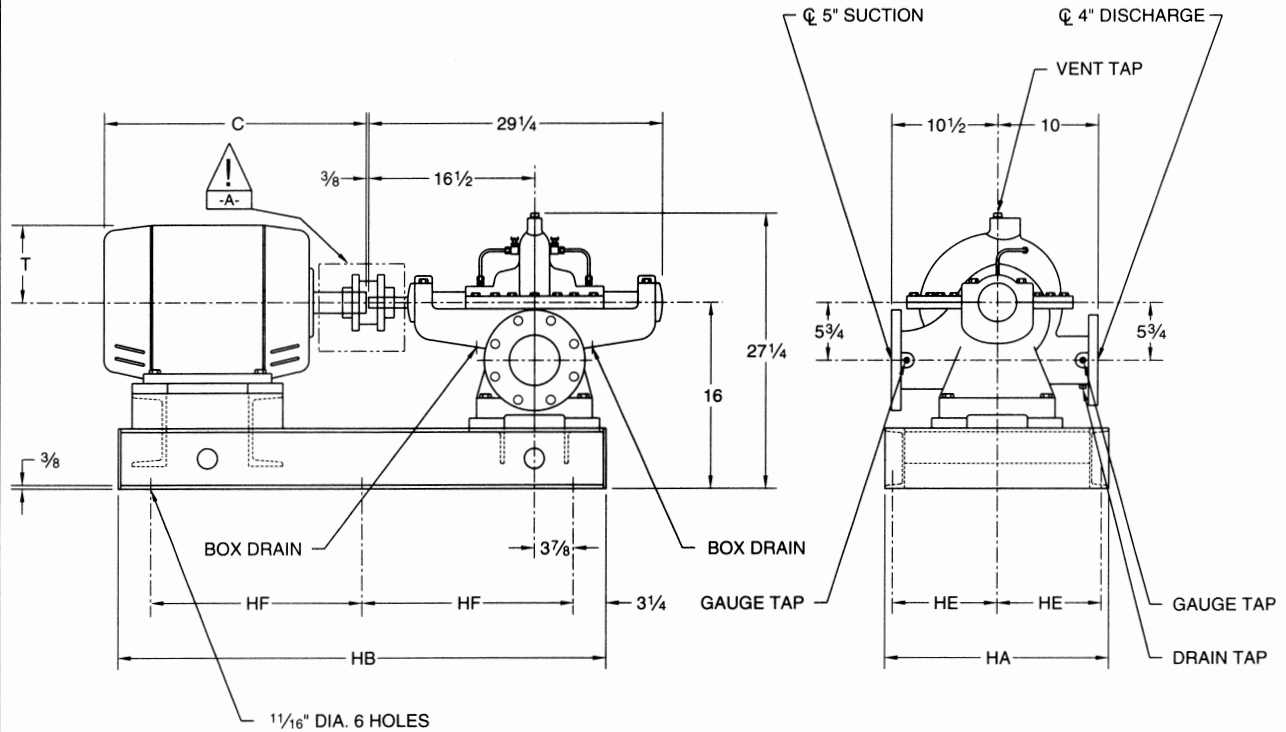
WARNING

DO NOT OPERATE THIS MACHINE WITHOUT PROTECTIVE GUARD IN PLACE. ANY OPERATION OF THIS MACHINE WITHOUT PROTECTIVE GUARD CAN RESULT IN SEVERE BODILY INJURY.

-A- SUPPLIED BY FMPC -B- SUPPLIED BY OTHERS

NOTES:


- (1) ALL FLANGES ARE STANDARD 125# ANSI DRILLING. OPTIONAL 250# ANSI FLANGES ARE AVAILABLE.
- (2) ALL DIMENSIONS ARE IN INCHES UNLESS NOTED.
- (3) ROTATION IS ALWAYS VIEWED FROM THE DRIVER END. FOR C.C.W. ROTATION, SUCTION AND DISCHARGE POSITIONS WILL BE ON OPPOSITE SIDES OF THAT SHOWN ABOVE AND DIMENSIONS IN THE END VIEW WILL BE REVERSED.
- (4) BASES ARE DESIGNED TO BE COMPLETELY FILLED WITH GROUT.
- (5) NOT FOR CONSTRUCTION, INSTALLATION, OR APPLICATION PURPOSES UNLESS CERTIFIED. DIMENSIONS SHOWN MAY VARY DUE TO NORMAL MANUFACTURING TOLERANCES.



CLOCKWISE ROTATION SHOWN (3)

UNIT DIMENSIONS						
MOTOR FRAME SIZE	BASE				MOTOR	
	HA	HB	HE	HF	C	T
184T	22 1/4	36 1/2	10 1/2	15	14 3/4	4 3/4
213T	22 1/4	42 1/2	10 1/2	18	16	5 1/8
215T	22 1/4	42 1/2	10 1/2	18	17 1/2	5 1/8
254T	22 1/4	42 1/2	10 1/2	18	20 5/8	6 3/8
256T	22 1/4	48 1/2	10 1/2	21	22 3/8	6 3/8
284TS	22 1/4	48 1/2	10 1/2	21	22 1/8	7

UNIT DIMENSIONS						
MOTOR FRAME SIZE	BASE				MOTOR	
	HA	HB	HE	HF	C	T
284T	22 1/4	48 1/2	10 1/2	21	23 1/2	7
286TS	22 1/4	48 1/2	10 1/2	21	23 5/8	7
286T	22 1/4	48 1/2	10 1/2	21	25	7
324TS	22 1/4	48 1/2	10 1/2	21	24 5/8	8
324T	22 1/4	48 1/2	10 1/2	21	26 1/8	8

CUSTOMER				P.O. NO.		 SETTING PLAN 4" 5822 OPTIONAL STRUCTURAL BASE	
JOB NAME				TAG NAME			
PUMP SIZE AND MODEL		GPM	TDH	RPM			ROTATION
MOTOR	HP	FRAME	PHASE	HERTZ	VOLTS		ENCLOSURE
CERTIFIED FOR			CERTIFIED BY		DATE	DWG NO 5820S047 REV NO 0	

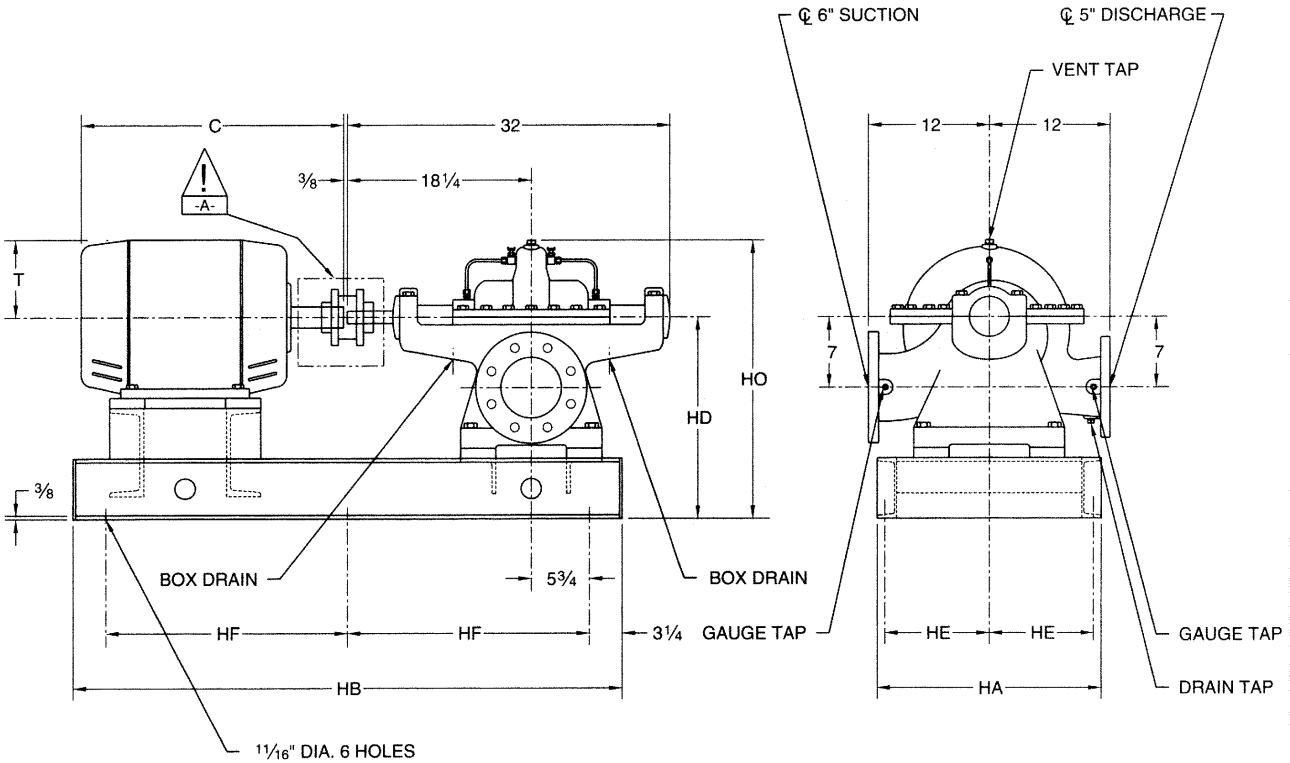
WARNING

DO NOT OPERATE THIS MACHINE WITHOUT PROTECTIVE GUARD IN PLACE. ANY OPERATION OF THIS MACHINE WITHOUT PROTECTIVE GUARD CAN RESULT IN SEVERE BODILY INJURY.

-A- SUPPLIED BY FMPC -B- SUPPLIED BY OTHERS

NOTES:

- (1) ALL FLANGES ARE STANDARD 125# ANSI DRILLING. OPTIONAL 250# ANSI FLANGES ARE AVAILABLE.
- (2) ALL DIMENSIONS ARE IN INCHES UNLESS NOTED.
- (3) ROTATION IS ALWAYS VIEWED FROM THE DRIVER END. FOR C.C.W. ROTATION, SUCTION AND DISCHARGE POSITIONS WILL BE ON OPPOSITE SIDES OF THAT SHOWN ABOVE AND DIMENSIONS IN THE END VIEW WILL BE REVERSED.
- (4) BASES ARE DESIGNED TO BE COMPLETELY FILLED WITH GROUT.
- (5) NOT FOR CONSTRUCTION, INSTALLATION, OR APPLICATION PURPOSES UNLESS CERTIFIED. DIMENSIONS SHOWN MAY VARY DUE TO NORMAL MANUFACTURING TOLERANCES.



CLOCKWISE ROTATION SHOWN (3)

UNIT DIMENSIONS								
MOTOR FRAME SIZE	BASE						MOTOR	
	HA	HB	HD	HE	HF	HO	C	T
184T	22 1/4	42 1/2	18	10 1/2	18	26 1/8	14 3/4	4 3/4
213T	22 1/4	42 1/2	18	10 1/2	18	26 1/8	16	5 1/8
215T	22 1/4	48 1/2	18	10 1/2	21	26 1/8	17 1/2	5 1/8
254T	22 1/4	48 1/2	18	10 1/2	21	26 1/8	20 5/8	6 3/8
256T	22 1/4	48 1/2	18	10 1/2	21	26 1/8	22 3/8	6 3/8
284TS	22 1/4	54 1/2	20	10 5/8	24	28 1/8	22 1/8	7

UNIT DIMENSIONS								
MOTOR FRAME SIZE	BASE						MOTOR	
	HA	HB	HD	HE	HF	HO	C	T
284T	22 1/4	54 1/2	20	10 5/8	24	28 1/8	23 1/2	7
286TS	22 1/4	54 1/2	20	10 5/8	24	28 1/8	23 5/8	7
286T	22 1/4	54 1/2	20	10 5/8	24	28 1/8	25	7
324TS	22 1/4	54 1/2	20	10 5/8	24	28 1/8	24 5/8	8
324T	22 1/4	54 1/2	20	10 5/8	24	28 1/8	26 1/8	8

CUSTOMER				P.O. NO.			
JOB NAME				TAG NAME			
PUMP SIZE AND MODEL		GPM	TDH	RPM	ROTATION		
MOTOR	HP	FRAME	PHASE	HERTZ	VOLTS	ENCLOSURE	
CERTIFIED FOR			CERTIFIED BY		DATE		
					DWG NO	5820S051	REV NO 0

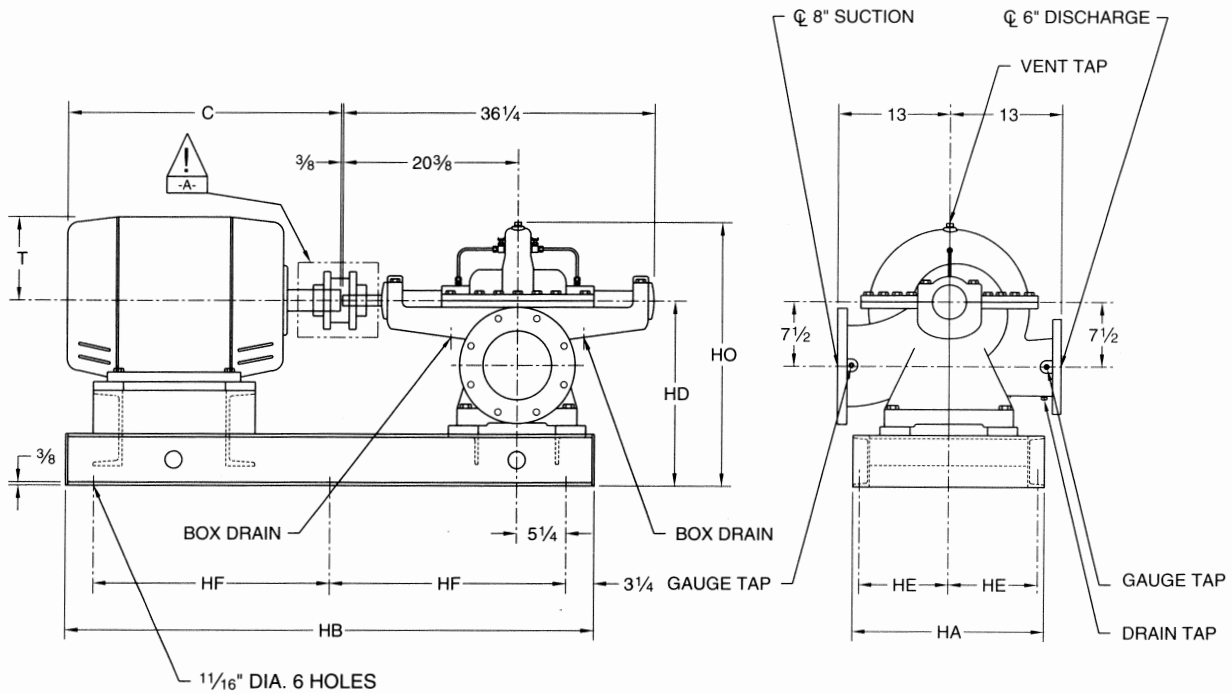
WARNING

DO NOT OPERATE THIS MACHINE WITHOUT PROTECTIVE GUARD IN PLACE. ANY OPERATION OF THIS MACHINE WITHOUT PROTECTIVE GUARD CAN RESULT IN SEVERE BODILY INJURY.

-A- SUPPLIED BY FMPC -B- SUPPLIED BY OTHERS

NOTES:

- (1) ALL FLANGES ARE STANDARD 125# ANSI DRILLING. OPTIONAL 250# ANSI FLANGES ARE AVAILABLE.
- (2) ALL DIMENSIONS ARE IN INCHES UNLESS NOTED.
- (3) ROTATION IS ALWAYS VIEWED FROM THE DRIVER END. FOR C.C.W. ROTATION, SUCTION AND DISCHARGE POSITIONS WILL BE ON OPPOSITE SIDES OF THAT SHOWN ABOVE AND DIMENSIONS IN THE END VIEW WILL BE REVERSED.
- (4) BASES ARE DESIGNED TO BE COMPLETELY FILLED WITH GROUT.
- (5) NOT FOR CONSTRUCTION, INSTALLATION, OR APPLICATION PURPOSES UNLESS CERTIFIED. DIMENSIONS SHOWN MAY VARY DUE TO NORMAL MANUFACTURING TOLERANCES.



CLOCKWISE ROTATION SHOWN (3)

MOTOR FRAME SIZE	UNIT DIMENSIONS BASE						MOTOR	
	HA	HB	HD	HE	HF	HO	C	T
215T	22 3/4	48 1/2	19 1/2	10 1/2	21	29 1/8	17 1/2	5 1/8
254T	22 1/4	48 1/2	19 1/2	10 1/2	21	29 1/8	20 5/8	6 3/8
256T	22 3/4	54 1/2	21 1/2	10 5/8	24	31 1/8	22 3/8	6 3/8
284TS	22 3/4	54 1/2	21 1/2	10 5/8	24	31 1/8	22 1/8	7
284T	22 3/4	54 1/2	21 1/2	10 5/8	24	31 1/8	23 1/2	7
286TS	22 3/4	54 1/2	21 1/2	10 5/8	24	31 1/8	23 5/8	7
286T	22 3/4	54 1/2	21 1/2	10 5/8	24	31 1/8	25	7
324TS	22 3/4	54 1/2	21 1/2	10 5/8	24	31 1/8	24 5/8	8

MOTOR FRAME SIZE	UNIT DIMENSIONS BASE						MOTOR	
	HA	HB	HD	HE	HF	HO	C	T
324T	22 3/4	54 1/2	21 1/2	10 5/8	24	31 1/8	26 1/8	8
326TS	22 3/4	54 1/2	21 1/2	10 5/8	24	31 1/8	26 1/8	8
326T	22 3/4	54 1/2	21 1/2	10 5/8	24	31 1/8	27 5/8	8
364TS	22 3/4	54 1/2	21 1/2	10 5/8	24	31 1/8	26 5/8	9 1/4
364T	22 3/4	54 1/2	21 1/2	10 5/8	24	31 1/8	28 3/4	9 1/4
365TS	22 3/4	60 1/2	21 1/2	10 5/8	27	31 1/8	27 5/8	9 1/4
365T	22 3/4	60 1/2	21 1/2	10 5/8	27	31 1/8	29 3/4	9 1/4

CUSTOMER				P.O. NO.		SETTING PLAN 6" 5822 OPTIONAL STRUCTURAL BASE	
JOB NAME				TAG NAME			
PUMP SIZE AND MODEL		GPM	TDH	RPM		ROTATION	
MOTOR	HP	FRAME	PHASE	HERTZ	VOLTS	ENCLOSURE	
CERTIFIED FOR			CERTIFIED BY		DATE		DWG NO 5820S055 REV NO 0

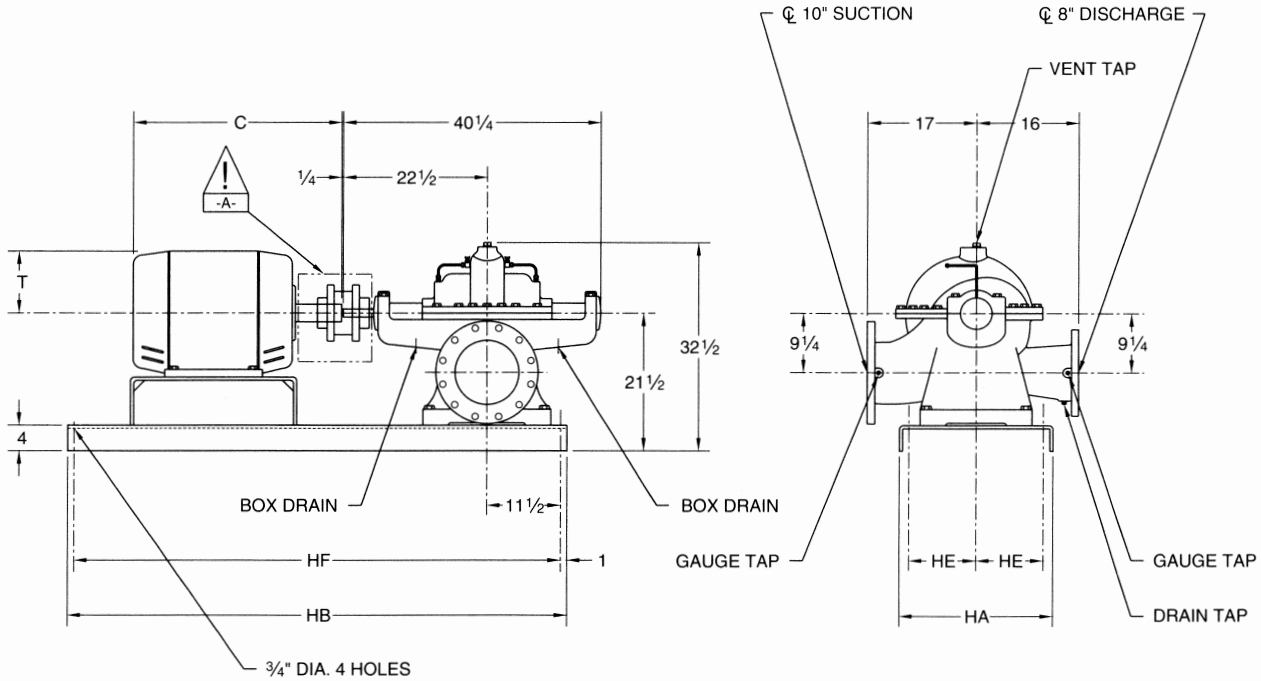
WARNING

DO NOT OPERATE THIS MACHINE WITHOUT PROTECTIVE GUARD IN PLACE. ANY OPERATION OF THIS MACHINE WITHOUT PROTECTIVE GUARD CAN RESULT IN SEVERE BODILY INJURY.

-A- SUPPLIED BY FMPC -B- SUPPLIED BY OTHERS

NOTES:

- (1) ALL FLANGES ARE STANDARD 125# ANSI DRILLING. OPTIONAL 250# ANSI FLANGES ARE AVAILABLE.
- (2) ALL DIMENSIONS ARE IN INCHES UNLESS NOTED.
- (3) ROTATION IS ALWAYS VIEWED FROM THE DRIVER END. FOR C.C.W. ROTATION, SUCTION AND DISCHARGE POSITIONS WILL BE ON OPPOSITE SIDES OF THAT SHOWN ABOVE AND DIMENSIONS IN THE END VIEW WILL BE REVERSED.
- (4) BASES ARE DESIGNED TO BE COMPLETELY FILLED WITH GROUT.
- (5) NOT FOR CONSTRUCTION, INSTALLATION, OR APPLICATION PURPOSES UNLESS CERTIFIED. DIMENSIONS SHOWN MAY VARY DUE TO NORMAL MANUFACTURING TOLERANCES.



CLOCKWISE ROTATION SHOWN (3)

MOTOR FRAME SIZE	BASE				MOTOR	
	HA	HB	HE	HF	C	T
286TS	20	60	8 1/2	58	23 5/8	7
286T	20	60	8 1/2	58	25	7
324TS	24	66	10 1/2	64	24 5/8	8
324T	24	66	10 1/2	64	26 1/8	8
326TS	24	66	10 1/2	64	26 1/8	8
326T	24	66	10 1/2	64	27 5/8	8
364TS	24	66	10 1/2	64	26 5/8	9 1/4

MOTOR FRAME SIZE	BASE				MOTOR	
	HA	HB	HE	HF	C	T
364T	24	66	10 1/2	64	28 3/4	9 1/4
365TS	24	66	10 1/2	64	27 5/8	9 1/4
365T	24	66	10 1/2	64	29 3/4	9 1/4
404TS	24	78	10 1/2	76	29 5/8	10 1/4
404T	24	78	10 1/2	76	32 5/8	10 1/4
405TS	24	78	10 1/2	76	31 1/8	10 1/4
405T	24	78	10 1/2	76	34 1/8	10 1/4

CUSTOMER				P.O. NO.		
JOB NAME				TAG NAME		
PUMP SIZE AND MODEL		GPM	TDH	RPM	ROTATION	
MOTOR	HP	FRAME	PHASE	HERTZ	VOLTS	ENCLOSURE
CERTIFIED FOR			CERTIFIED BY		DATE	SETTING PLAN 8" 5822 BENT FORM BASE
DWG NO. 5820S057 REV NO. 0						

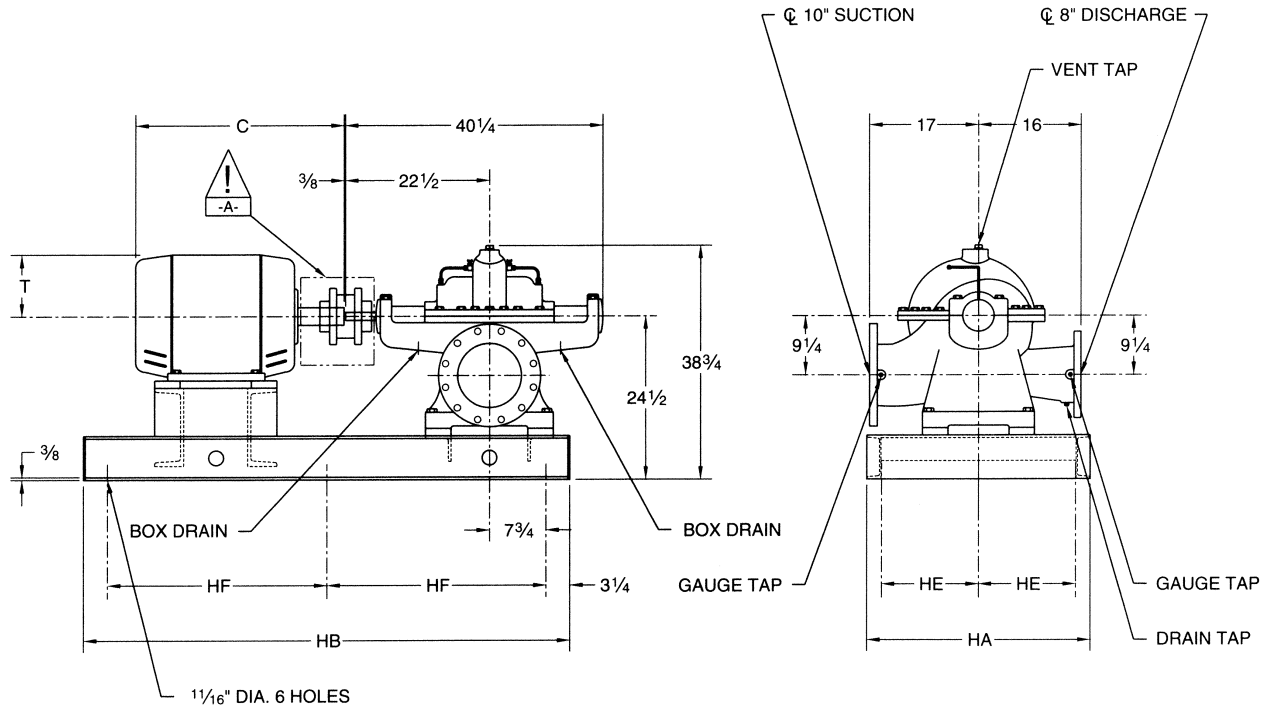
WARNING

DO NOT OPERATE THIS MACHINE WITHOUT PROTECTIVE GUARD IN PLACE. ANY OPERATION OF THIS MACHINE WITHOUT PROTECTIVE GUARD CAN RESULT IN SEVERE BODILY INJURY.

-A- SUPPLIED BY FMPC -B- SUPPLIED BY OTHERS

NOTES:

- (1) ALL FLANGES ARE STANDARD 125# ANSI DRILLING. OPTIONAL 250# ANSI FLANGES ARE AVAILABLE.
- (2) ALL DIMENSIONS ARE IN INCHES UNLESS NOTED.
- (3) ROTATION IS ALWAYS VIEWED FROM THE DRIVER END. FOR C.C.W. ROTATION, SUCTION AND DISCHARGE POSITIONS WILL BE ON OPPOSITE SIDES OF THAT SHOWN ABOVE AND DIMENSIONS IN THE END VIEW WILL BE REVERSED.
- (4) BASES ARE DESIGNED TO BE COMPLETELY FILLED WITH GROUT.
- (5) NOT FOR CONSTRUCTION, INSTALLATION, OR APPLICATION PURPOSES UNLESS CERTIFIED. DIMENSIONS SHOWN MAY VARY DUE TO NORMAL MANUFACTURING TOLERANCES.



CLOCKWISE ROTATION SHOWN (3)

UNIT DIMENSIONS						
MOTOR FRAME SIZE	BASE				MOTOR	
	HA	HB	HE	HF	C	T
286TS	22 3/4	60 1/2	10 5/8	27	23 5/8	7
286T	22 3/4	60 1/2	10 5/8	27	25	7
324TS	22 3/4	60 1/2	10 5/8	27	24 5/8	8
324T	22 3/4	60 1/2	10 5/8	27	26 1/8	8
326TS	30 1/2	66 1/2	14 1/2	30	26 1/8	8
326T	30 1/2	66 1/2	14 1/2	30	27 5/8	8
364TS	30 1/2	66 1/2	14 1/2	30	26 5/8	9 1/4

UNIT DIMENSIONS						
MOTOR FRAME SIZE	BASE				MOTOR	
	HA	HB	HE	HF	C	T
364T	30 1/2	66 1/2	14 1/2	30	28 3/4	9 1/4
365TS	30 1/2	66 1/2	14 1/2	30	27 5/8	9 1/4
365T	30 1/2	66 1/2	14 1/2	30	29 3/4	9 1/4
404TS	30 1/2	66 1/2	14 1/2	30	29 5/8	10 1/4
404T	30 1/2	66 1/2	14 1/2	30	32 5/8	10 1/4
405TS	30 1/2	66 1/2	14 1/2	30	31 1/8	10 1/4
405T	30 1/2	66 1/2	14 1/2	30	34 1/8	10 1/4

CUSTOMER				P.O. NO.		SETTING PLAN 8" 5822 OPTIONAL STRUCTURAL BASE	
JOB NAME				TAG NAME			
PUMP SIZE AND MODEL		GPM	TDH	RPM			ROTATION
MOTOR	HP	FRAME	PHASE	HERTZ	VOLTS		ENCLOSURE
CERTIFIED FOR			CERTIFIED BY		DATE		
DWG NO		5820S059				REV NO 0	

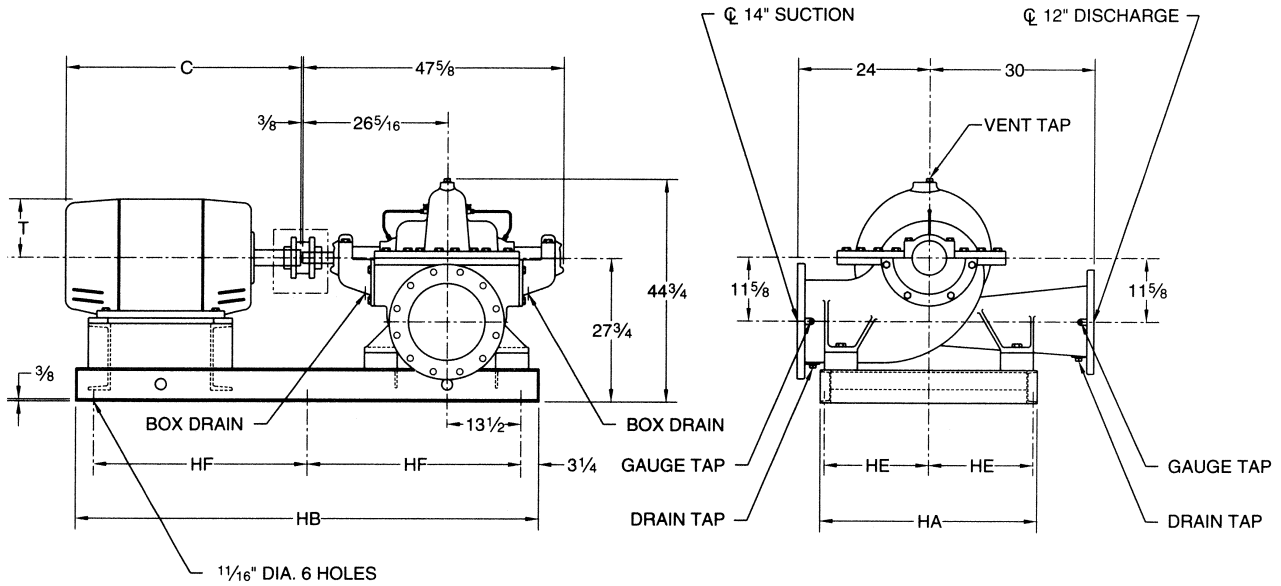
WARNING

DO NOT OPERATE THIS MACHINE WITHOUT PROTECTIVE GUARD IN PLACE. ANY OPERATION OF THIS MACHINE WITHOUT PROTECTIVE GUARD CAN RESULT IN SEVERE BODILY INJURY.

-A- SUPPLIED BY FMPC -B- SUPPLIED BY OTHERS

NOTES:

- (1) ALL FLANGES ARE STANDARD 125# ANSI DRILLING. OPTIONAL 250# ANSI FLANGES ARE AVAILABLE.
- (2) ALL DIMENSIONS ARE IN INCHES UNLESS NOTED.
- (3) ROTATION IS ALWAYS VIEWED FROM THE DRIVER END. FOR C.C.W. ROTATION, SUCTION AND DISCHARGE POSITIONS WILL BE ON OPPOSITE SIDES OF THAT SHOWN ABOVE AND DIMENSIONS IN THE END VIEW WILL BE REVERSED.
- (4) BASES ARE DESIGNED TO BE COMPLETELY FILLED WITH GROUT.
- (5) NOT FOR CONSTRUCTION, INSTALLATION, OR APPLICATION PURPOSES UNLESS CERTIFIED. DIMENSIONS SHOWN MAY VARY DUE TO NORMAL MANUFACTURING TOLERANCES.



CLOCKWISE ROTATION SHOWN (3)

UNIT DIMENSIONS							
MOTOR FRAME SIZE	BASE				MOTOR		
	HA	HB	HE	HF	C	T	
326TS	39 1/2	72 1/2	18 7/8	33	26 1/8	8	
326T	39 1/2	72 1/2	18 7/8	33	27 5/8	8	
364TS	39 1/2	72 1/2	18 7/8	33	26 5/8	9 1/4	
364T	39 1/2	72 1/2	18 7/8	33	28 3/4	9 1/4	
365TS	39 1/2	72 1/2	18 7/8	33	27 5/8	9 1/4	
365T	39 1/2	72 1/2	18 7/8	33	29 3/4	9 1/4	
404TS	39 1/2	72 1/2	18 7/8	33	29 5/8	10 1/4	
404T	39 1/2	72 1/2	18 7/8	33	32 5/8	10 1/4	

UNIT DIMENSIONS							
MOTOR FRAME SIZE	BASE				MOTOR		
	HA	HB	HE	HF	C	T	
405TS	39 1/2	84 1/2	18 7/8	39	31 1/8	10 1/4	
405T	39 1/2	84 1/2	18 7/8	39	34 1/8	10 1/4	
444TS	39 1/2	84 1/2	18 7/8	39	34 1/8	11 1/4	
444T	39 1/2	84 1/2	18 7/8	39	37 7/8	11 1/4	
445TS	39 1/2	84 1/2	18 7/8	39	36 1/8	11 1/4	
445T	39 1/2	84 1/2	18 7/8	39	39 7/8	11 1/4	
447TS	39 1/2	84 1/2	18 7/8	39	39 5/8	11 1/4	
447T	39 1/2	84 1/2	18 7/8	39	43 3/8	11 1/4	

CUSTOMER				P.O. NO.		
JOB NAME				TAG NAME		
PUMP SIZE AND MODEL		GPM	TDH	RPM	ROTATION	
MOTOR	HP	FRAME	PHASE	HERTZ	VOLTS	ENCLOSURE
CERTIFIED FOR			CERTIFIED BY		DATE	
					SETTING PLAN 12" 5822 STRUCTURAL BASE	DWG NO 5820S061 REV NO 0

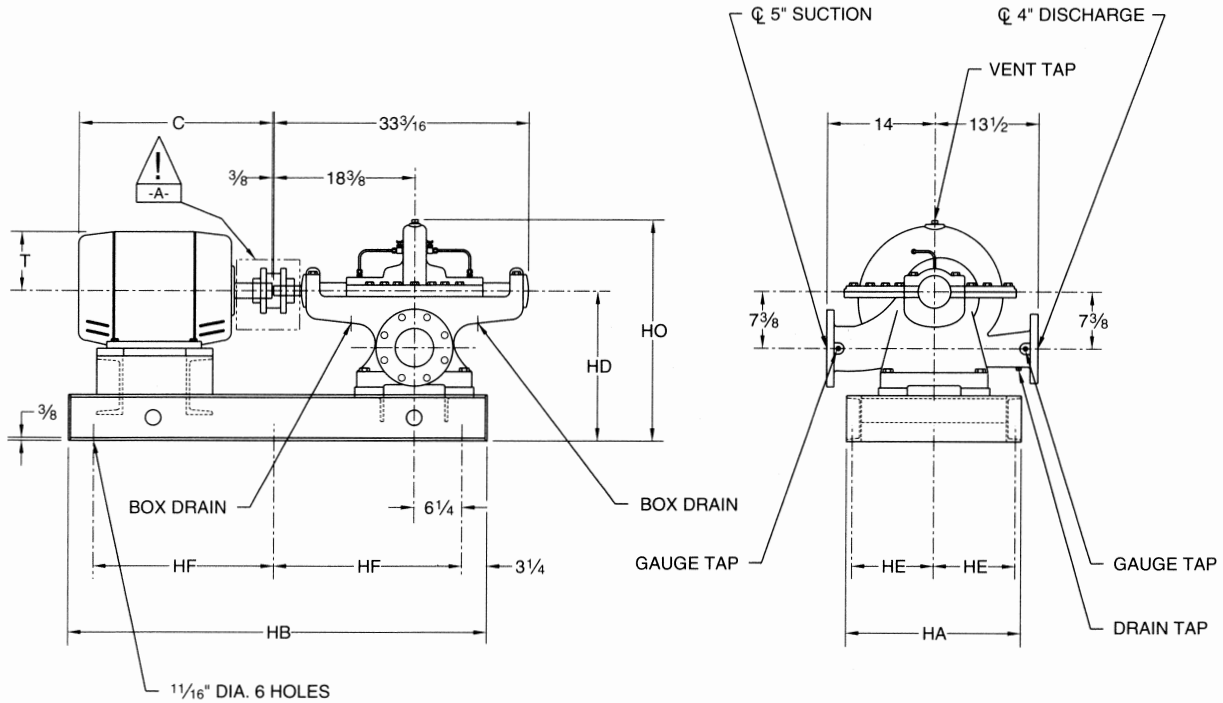
WARNING

DO NOT OPERATE THIS MACHINE WITHOUT PROTECTIVE GUARD IN PLACE. ANY OPERATION OF THIS MACHINE WITHOUT PROTECTIVE GUARD CAN RESULT IN SEVERE BODILY INJURY.

-A- SUPPLIED BY FMPC -B- SUPPLIED BY OTHERS

NOTES:

- (1) ALL FLANGES ARE STANDARD 125# ANSI DRILLING. OPTIONAL 250# ANSI FLANGES ARE AVAILABLE.
- (2) ALL DIMENSIONS ARE IN INCHES UNLESS NOTED.
- (3) ROTATION IS ALWAYS VIEWED FROM THE DRIVER END. FOR C.C.W. ROTATION, SUCTION AND DISCHARGE POSITIONS WILL BE ON OPPOSITE SIDES OF THAT SHOWN ABOVE AND DIMENSIONS IN THE END VIEW WILL BE REVERSED.
- (4) BASES ARE DESIGNED TO BE COMPLETELY FILLED WITH GROUT.
- (5) NOT FOR CONSTRUCTION, INSTALLATION, OR APPLICATION PURPOSES UNLESS CERTIFIED. DIMENSIONS SHOWN MAY VARY DUE TO NORMAL MANUFACTURING TOLERANCES.




CLOCKWISE ROTATION SHOWN (3)

MOTOR FRAME SIZE	UNIT DIMENSIONS BASE						MOTOR	
	HA	HB	HD	HE	HF	HO	C	T
213T	22 1/4	42 1/2	17 1/2	10 1/2	18	27 1/4	16	5 1/8
215T	22 1/4	48 1/2	17 1/2	10 1/2	21	27 1/4	17 1/2	5 1/8
254T	22 1/4	48 1/2	17 1/2	10 1/2	21	27 1/4	20 5/8	6 3/8
256T	22 3/4	54 1/2	19 1/2	10 5/8	24	29 1/4	22 3/8	6 3/8
284TS	22 3/4	54 1/2	19 1/2	10 5/8	24	29 1/4	22 1/8	7
284T	22 3/4	54 1/2	19 1/2	10 5/8	24	29 1/4	23 1/2	7
286TS	22 3/4	54 1/2	19 1/2	10 5/8	24	29 1/4	23 5/8	7
286T	22 3/4	54 1/2	19 1/2	10 5/8	24	29 1/4	25	7

MOTOR FRAME SIZE	UNIT DIMENSIONS BASE						MOTOR	
	HA	HB	HD	HE	HF	HO	C	T
324TS	22 3/4	54 1/2	19 1/2	10 5/8	24	29 1/4	24 5/8	8
324T	22 3/4	54 1/2	19 1/2	10 5/8	24	29 1/4	26 1/8	8
326TS	22 3/4	54 1/2	19 1/2	10 5/8	24	29 1/4	26 1/8	8
326T	22 3/4	54 1/2	19 1/2	10 5/8	24	29 1/4	27 5/8	8
364TS	22 3/4	54 1/2	19 1/2	10 5/8	24	29 1/4	26 5/8	9 1/4
364T	22 3/4	54 1/2	19 1/2	10 5/8	24	29 1/4	28 3/4	9 1/4
365TS	22 3/4	54 1/2	19 1/2	10 5/8	24	29 1/4	27 5/8	9 1/4
365T	22 3/4	54 1/2	19 1/2	10 5/8	24	29 1/4	29 3/4	9 1/4

CUSTOMER				P.O. NO.			
JOB NAME				TAG NAME			
PUMP SIZE AND MODEL		GPM	TDH	RPM	ROTATION		
MOTOR	HP	FRAME	PHASE	HERTZ	VOLTS	ENCLOSURE	
CERTIFIED FOR			CERTIFIED BY		DATE		
					DWG NO	5820S065	REV NO 0

SETTING PLAN
4" 5823
STRUCTURAL BASE



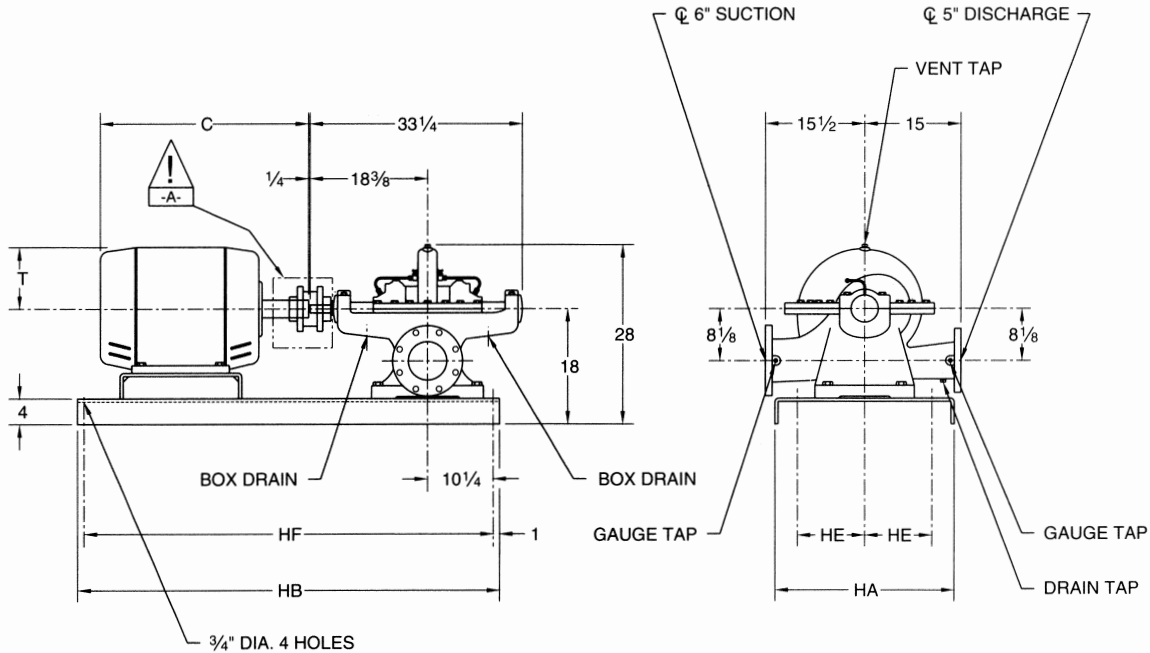
WARNING

DO NOT OPERATE THIS MACHINE WITHOUT PROTECTIVE GUARD IN PLACE. ANY OPERATION OF THIS MACHINE WITHOUT PROTECTIVE GUARD CAN RESULT IN SEVERE BODILY INJURY.

-A- SUPPLIED BY FMPC -B- SUPPLIED BY OTHERS

NOTES:


- (1) ALL FLANGES ARE STANDARD 125# ANSI DRILLING. OPTIONAL 250# ANSI FLANGES ARE AVAILABLE.
- (2) ALL DIMENSIONS ARE IN INCHES UNLESS NOTED.
- (3) ROTATION IS ALWAYS VIEWED FROM THE DRIVER END. FOR C.C.W. ROTATION, SUCTION AND DISCHARGE POSITIONS WILL BE ON OPPOSITE SIDES OF THAT SHOWN ABOVE AND DIMENSIONS IN THE END VIEW WILL BE REVERSED.
- (4) BASES ARE DESIGNED TO BE COMPLETELY FILLED WITH GROUT.
- (5) NOT FOR CONSTRUCTION, INSTALLATION, OR APPLICATION PURPOSES UNLESS CERTIFIED. DIMENSIONS SHOWN MAY VARY DUE TO NORMAL MANUFACTURING TOLERANCES.



CLOCKWISE ROTATION SHOWN (3)

UNIT DIMENSIONS						
MOTOR FRAME SIZE	BASE				MOTOR	
	HA	HB	HE	HF	C	T
215T	18	54	7 1/2	52	17 1/2	5 1/8
254T	18	54	7 1/2	52	20 5/8	6 3/8
256T	18	54	7 1/2	52	22 3/8	6 3/8
284TS	18	54	7 1/2	52	22 1/8	7
284T	18	54	7 1/2	52	23 1/2	7
286TS	18	54	7 1/2	52	23 3/8	7
286T	18	54	7 1/2	52	25	7
324TS	20	60	8 1/2	58	24 5/8	8
324T	20	60	8 1/2	58	26 1/8	8
326TS	20	60	8 1/2	58	26 1/8	8

UNIT DIMENSIONS						
MOTOR FRAME SIZE	BASE				MOTOR	
	HA	HB	HE	HF	C	T
326T	20	60	8 1/2	58	27 5/8	8
364TS	20	60	8 1/2	58	26 5/8	9 1/4
364T	20	60	8 1/2	58	28 3/4	9 1/4
365TS	20	60	8 1/2	58	27 5/8	9 1/4
365T	20	60	8 1/2	58	29 3/4	9 1/4
404TS	24	66	10 1/2	64	29 5/8	10 1/4
404T	24	66	10 1/2	64	32 3/8	10 1/4
405TS	24	66	10 1/2	64	31 1/8	10 1/4
405T	24	66	10 1/2	64	34 1/8	10 1/4

CUSTOMER				P.O. NO.		
JOB NAME				TAG NAME		
PUMP SIZE AND MODEL		GPM	TDH	RPM	ROTATION	
MOTOR	HP	FRAME	PHASE	HERTZ	VOLTS	ENCLOSURE
CERTIFIED FOR			CERTIFIED BY		DATE	
					DWG NO	5820S067
					REV NO	0

SETTING PLAN

5" 5823

BENT FORM BASE

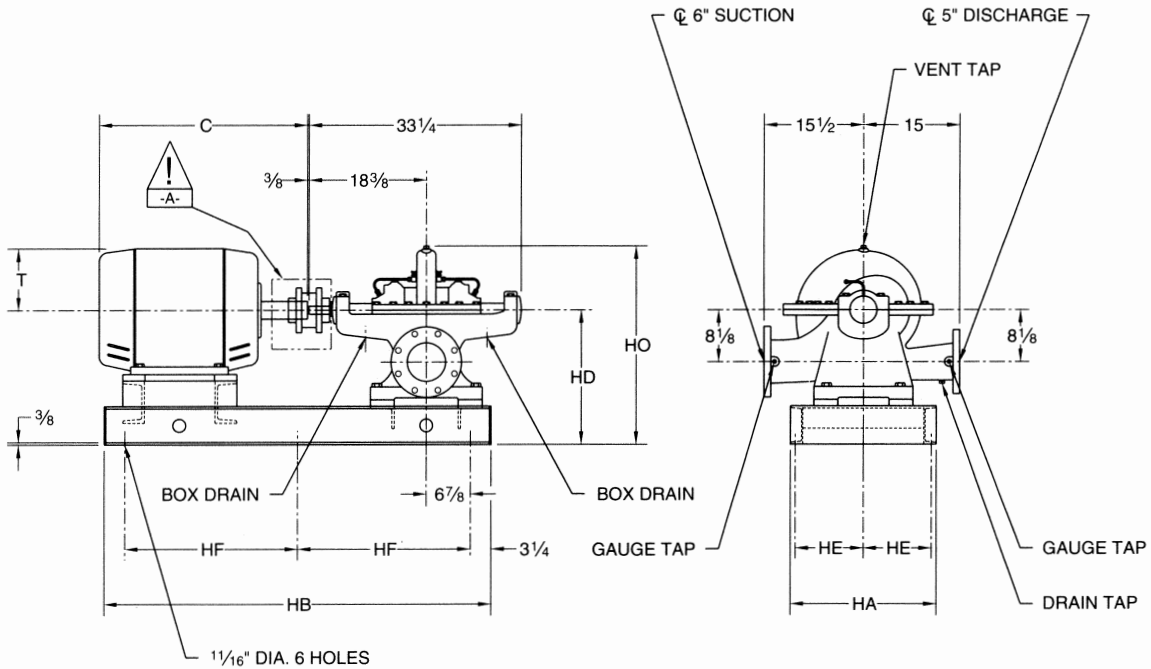
WARNING

DO NOT OPERATE THIS MACHINE WITHOUT PROTECTIVE GUARD IN PLACE. ANY OPERATION OF THIS MACHINE WITHOUT PROTECTIVE GUARD CAN RESULT IN SEVERE BODILY INJURY.

-A- SUPPLIED BY FMPC -B- SUPPLIED BY OTHERS

NOTES:

- (1) ALL FLANGES ARE STANDARD 125# ANSI DRILLING. OPTIONAL 250# ANSI FLANGES ARE AVAILABLE.
- (2) ALL DIMENSIONS ARE IN INCHES UNLESS NOTED.
- (3) ROTATION IS ALWAYS VIEWED FROM THE DRIVER END. FOR C.C.W. ROTATION, SUCTION AND DISCHARGE POSITIONS WILL BE ON OPPOSITE SIDES OF THAT SHOWN ABOVE AND DIMENSIONS IN THE END VIEW WILL BE REVERSED.
- (4) BASES ARE DESIGNED TO BE COMPLETELY FILLED WITH GROUT.
- (5) NOT FOR CONSTRUCTION, INSTALLATION, OR APPLICATION PURPOSES UNLESS CERTIFIED. DIMENSIONS SHOWN MAY VARY DUE TO NORMAL MANUFACTURING TOLERANCES.



CLOCKWISE ROTATION SHOWN (3)

UNIT DIMENSIONS								
MOTOR FRAME	BASE						MOTOR	
SIZE	HA	HB	HD	HE	HF	HO	C	T
215T	22 1/4	48 1/2	19	10 1/2	21	29 1/2	17 1/2	5 1/8
254T	22 1/4	48 1/2	19	10 1/2	21	29 1/2	20 5/8	6 3/8
256T	22 3/4	54 1/2	21	10 5/8	24	31 1/2	22 3/8	6 3/8
284TS	22 3/4	54 1/2	21	10 5/8	24	31 1/2	22 1/8	7
284T	22 3/4	54 1/2	21	10 5/8	24	31 1/2	23 1/2	7
286TS	22 3/4	54 1/2	21	10 5/8	24	31 1/2	23 5/8	7
286T	22 3/4	54 1/2	21	10 5/8	24	31 1/2	25	7
324TS	22 3/4	54 1/2	21	10 5/8	24	31 1/2	24 5/8	8
324T	22 3/4	54 1/2	21	10 5/8	24	31 1/2	26 1/8	8
326TS	22 3/4	54 1/2	21	10 5/8	24	31 1/2	26 1/8	8

UNIT DIMENSIONS								
MOTOR FRAME	BASE						MOTOR	
SIZE	HA	HB	HD	HE	HF	HO	C	T
326T	22 3/4	54 1/2	21	10 5/8	24	31 1/2	27 5/8	8
364TS	22 3/4	54 1/2	21	10 5/8	24	31 1/2	26 3/8	9 1/4
364T	22 3/4	54 1/2	21	10 5/8	24	31 1/2	28 3/4	9 1/4
365TS	22 3/4	60 1/2	21	10 5/8	27	31 1/2	27 5/8	9 1/4
365T	22 3/4	60 1/2	21	10 5/8	27	31 1/2	29 3/4	9 1/4
404TS	22 3/4	60 1/2	21	10 5/8	27	31 1/2	29 5/8	10 1/4
404T	22 3/4	60 1/2	21	10 5/8	27	31 1/2	32 5/8	10 1/4
405TS	22 3/4	60 1/2	21	10 5/8	27	31 1/2	31 1/8	10 1/4
405T	22 3/4	60 1/2	21	10 5/8	27	31 1/2	34 1/8	10 1/4

CUSTOMER				P.O. NO.		<p>Fairbanks Morse Pump Corporation</p> <p>SETTING PLAN 5" 5823 OPTIONAL STRUCTURAL BASE</p> <p>DWG NO 5820S069 REV NO 0</p>	
JOB NAME				TAG NAME			
PUMP SIZE AND MODEL		GPM	TDH	RPM			ROTATION
MOTOR	HP	FRAME	PHASE	HERTZ	VOLTS		ENCLOSURE
CERTIFIED FOR			CERTIFIED BY		DATE		

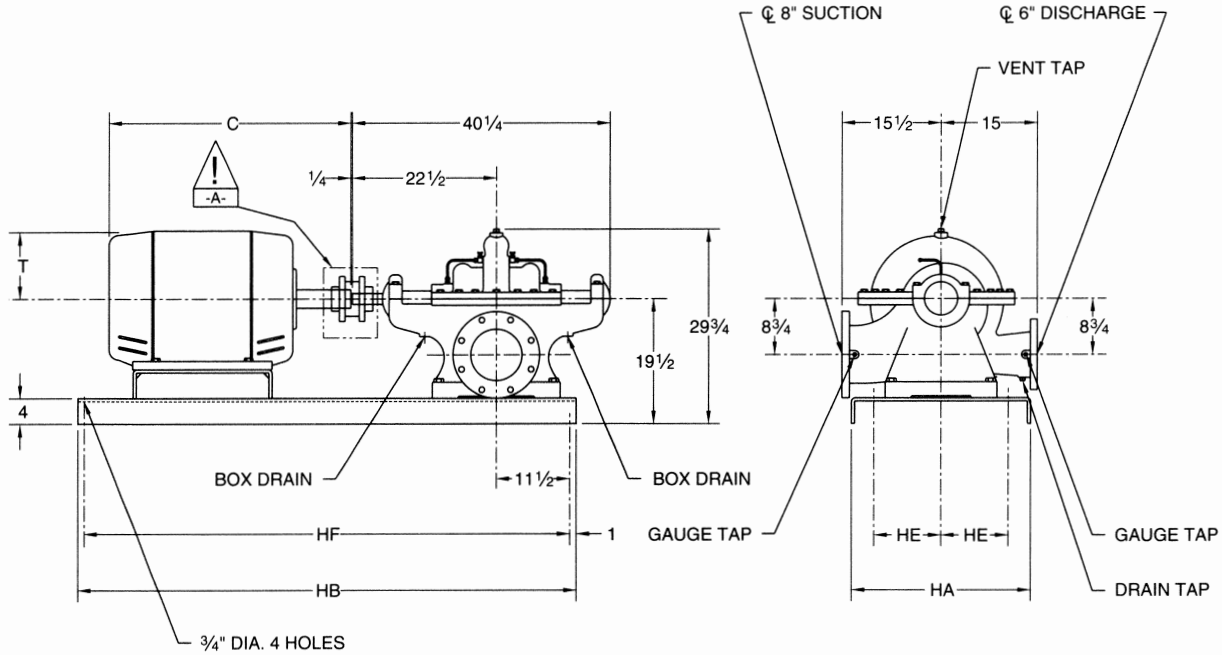
WARNING

DO NOT OPERATE THIS MACHINE WITHOUT PROTECTIVE GUARD IN PLACE. ANY OPERATION OF THIS MACHINE WITHOUT PROTECTIVE GUARD CAN RESULT IN SEVERE BODILY INJURY.

-A- SUPPLIED BY FMPC -B- SUPPLIED BY OTHERS

NOTES:

- (1) ALL FLANGES ARE STANDARD 125# ANSI DRILLING. OPTIONAL 250# ANSI FLANGES ARE AVAILABLE.
- (2) ALL DIMENSIONS ARE IN INCHES UNLESS NOTED.
- (3) ROTATION IS ALWAYS VIEWED FROM THE DRIVER END. FOR C.C.W. ROTATION, SUCTION AND DISCHARGE POSITIONS WILL BE ON OPPOSITE SIDES OF THAT SHOWN ABOVE AND DIMENSIONS IN THE END VIEW WILL BE REVERSED.
- (4) BASES ARE DESIGNED TO BE COMPLETELY FILLED WITH GROUT.
- (5) NOT FOR CONSTRUCTION, INSTALLATION, OR APPLICATION PURPOSES UNLESS CERTIFIED. DIMENSIONS SHOWN MAY VARY DUE TO NORMAL MANUFACTURING TOLERANCES.



CLOCKWISE ROTATION SHOWN (3)

MOTOR FRAME SIZE	BASE				MOTOR	
	HA	HB	HE	HF	C	T
254T	20	60	8 1/2	58	20 5/8	6 3/8
256T	20	60	8 1/2	58	22 3/8	6 3/8
284TS	20	60	8 1/2	58	22 1/8	7
284T	20	60	8 1/2	58	23 1/2	7
286TS	20	60	8 1/2	58	23 5/8	7
286T	20	60	8 1/2	58	25	7
324TS	24	66	10 1/2	64	24 5/8	8
324T	24	66	10 1/2	64	26 1/8	8
326TS	24	66	10 1/2	64	26 1/8	8
326T	24	66	10 1/2	64	27 5/8	8


MOTOR FRAME SIZE	BASE				MOTOR	
	HA	HB	HE	HF	C	T
364TS	24	66	10 1/2	64	26 5/8	9 1/4
364T	24	66	10 1/2	64	28 3/4	9 1/4
365TS	24	66	10 1/2	64	27 5/8	9 1/4
365T	24	66	10 1/2	64	29 3/4	9 1/4
404TS	24	78	10 1/2	76	29 5/8	10 1/4
404T	24	78	10 1/2	76	32 5/8	10 1/4
405TS	24	78	10 1/2	76	31 1/8	10 1/4
405T	24	78	10 1/2	76	34 1/8	10 1/4
444TS	24	78	10 1/2	76	34 1/8	11 1/4
444T	24	78	10 1/2	76	37 7/8	11 1/4

CUSTOMER				P.O. NO.		
JOB NAME				TAG NAME		
PUMP SIZE AND MODEL		GPM	TDH	RPM	ROTATION	
MOTOR	HP	FRAME	PHASE	HERTZ	VOLTS	ENCLOSURE
CERTIFIED FOR			CERTIFIED BY		DATE	
					DWG NO	5820S071
					REV NO	0

SETTING PLAN

6" 5823

BENT FORM BASE

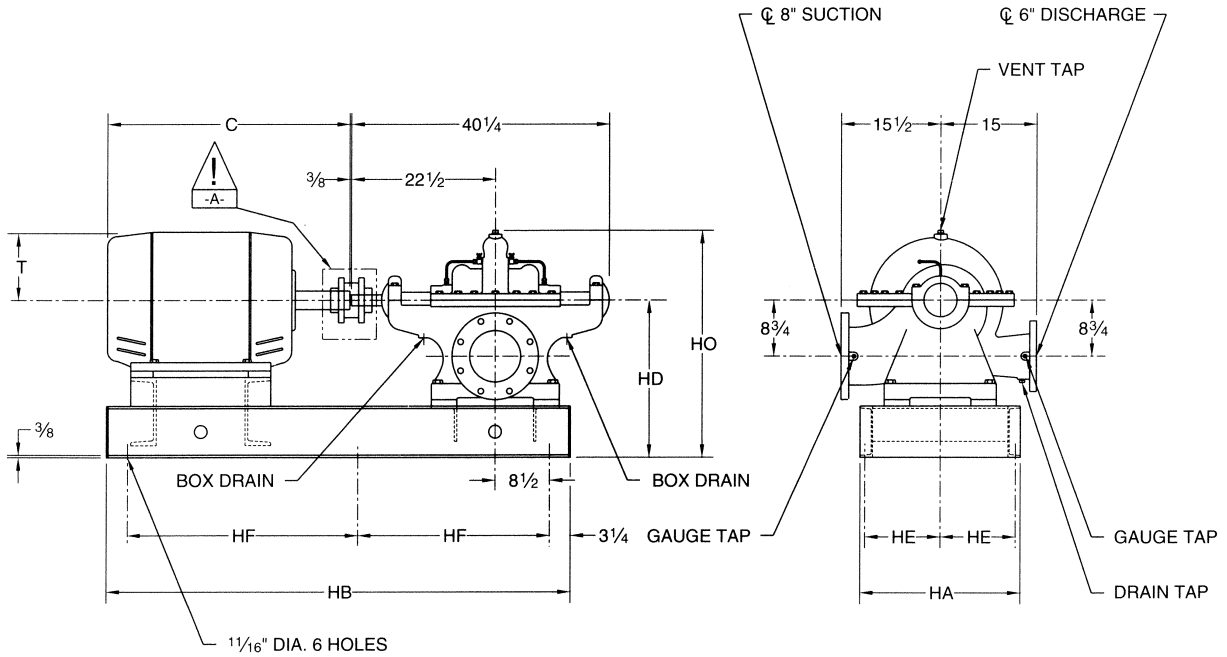


WARNING

DO NOT OPERATE THIS MACHINE WITHOUT PROTECTIVE GUARD IN PLACE. ANY OPERATION OF THIS MACHINE WITHOUT PROTECTIVE GUARD CAN RESULT IN SEVERE BODILY INJURY.

-A- SUPPLIED BY FMPC -B- SUPPLIED BY OTHERS

- NOTES:**
- (1) ALL FLANGES ARE STANDARD 125# ANSI DRILLING. OPTIONAL 250# ANSI FLANGES ARE AVAILABLE.
 - (2) ALL DIMENSIONS ARE IN INCHES UNLESS NOTED.
 - (3) ROTATION IS ALWAYS VIEWED FROM THE DRIVER END. FOR C.C.W. ROTATION, SUCTION AND DISCHARGE POSITIONS WILL BE ON OPPOSITE SIDES OF THAT SHOWN ABOVE AND DIMENSIONS IN THE END VIEW WILL BE REVERSED.
 - (4) BASES ARE DESIGNED TO BE COMPLETELY FILLED WITH GROUT.
 - (5) NOT FOR CONSTRUCTION, INSTALLATION, OR APPLICATION PURPOSES UNLESS CERTIFIED. DIMENSIONS SHOWN MAY VARY DUE TO NORMAL MANUFACTURING TOLERANCES.



CLOCKWISE ROTATION SHOWN (3)

UNIT DIMENSIONS								
MOTOR FRAME SIZE	BASE						MOTOR	
	HA	HB	HD	HE	HF	HO	C	T
254T	22 3/4	54 1/2	22 1/2	10 5/8	24	33 1/4	20 5/8	6 3/8
256T	22 3/4	60 1/2	22 1/2	10 5/8	27	33 1/4	22 3/8	6 3/8
284TS	22 3/4	60 1/2	22 1/2	10 5/8	27	33 1/4	22 1/8	7
284T	22 3/4	60 1/2	22 1/2	10 5/8	27	33 1/4	23 1/2	7
286TS	22 3/4	60 1/2	22 1/2	10 5/8	27	33 1/4	23 5/8	7
286T	22 3/4	60 1/2	22 1/2	10 5/8	27	33 1/4	25	7
324TS	22 3/4	60 1/2	22 1/2	10 5/8	27	33 1/4	24 5/8	8
324T	22 3/4	60 1/2	22 1/2	10 5/8	27	33 1/4	26 1/8	8
326TS	22 3/4	60 1/2	22 1/2	10 5/8	27	33 1/4	26 1/8	8
326T	22 3/4	60 1/2	22 1/2	10 5/8	27	33 1/4	27 5/8	8

UNIT DIMENSIONS								
MOTOR FRAME SIZE	BASE						MOTOR	
	HA	HB	HD	HE	HF	HO	C	T
364TS	22 3/4	60 1/2	22 1/2	10 5/8	27	33 1/4	26 5/8	9 1/4
364T	22 3/4	60 1/2	22 1/2	10 5/8	27	33 1/4	28 3/4	9 1/4
365TS	22 3/4	60 1/2	22 1/2	10 5/8	27	33 1/4	27 5/8	9 1/4
365T	22 3/4	60 1/2	22 1/2	10 5/8	27	33 1/4	29 3/4	9 1/4
404TS	30 1/2	66 1/2	22 1/2	14 1/2	30	33 1/4	29 5/8	10 1/4
404T	30 1/2	66 1/2	22 1/2	14 1/2	30	33 1/4	32 5/8	10 1/4
405TS	30 1/2	66 1/2	22 1/2	14 1/2	30	33 1/4	31 1/8	10 1/4
405T	30 1/2	66 1/2	22 1/2	14 1/2	30	33 1/4	34 1/8	10 1/4
444TS	30 1/2	66 1/2	22 1/2	14 1/2	30	33 1/4	34 1/8	11 1/4
444T	31 1/4	72 1/2	24 1/2	14 3/4	33	35 1/4	37 7/8	11 1/4

CUSTOMER				P.O. NO.	
JOB NAME				TAG NAME	
PUMP SIZE AND MODEL		GPM	TDH	ROTATION	
MOTOR	HP	FRAME	PHASE	HERTZ	VOLTS
CERTIFIED FOR			CERTIFIED BY		DATE
				ENCLOSURE	



SETTING PLAN
6" 5823
OPTIONAL
STRUCTURAL BASE

DWG NO **5820S073** REV NO **0**

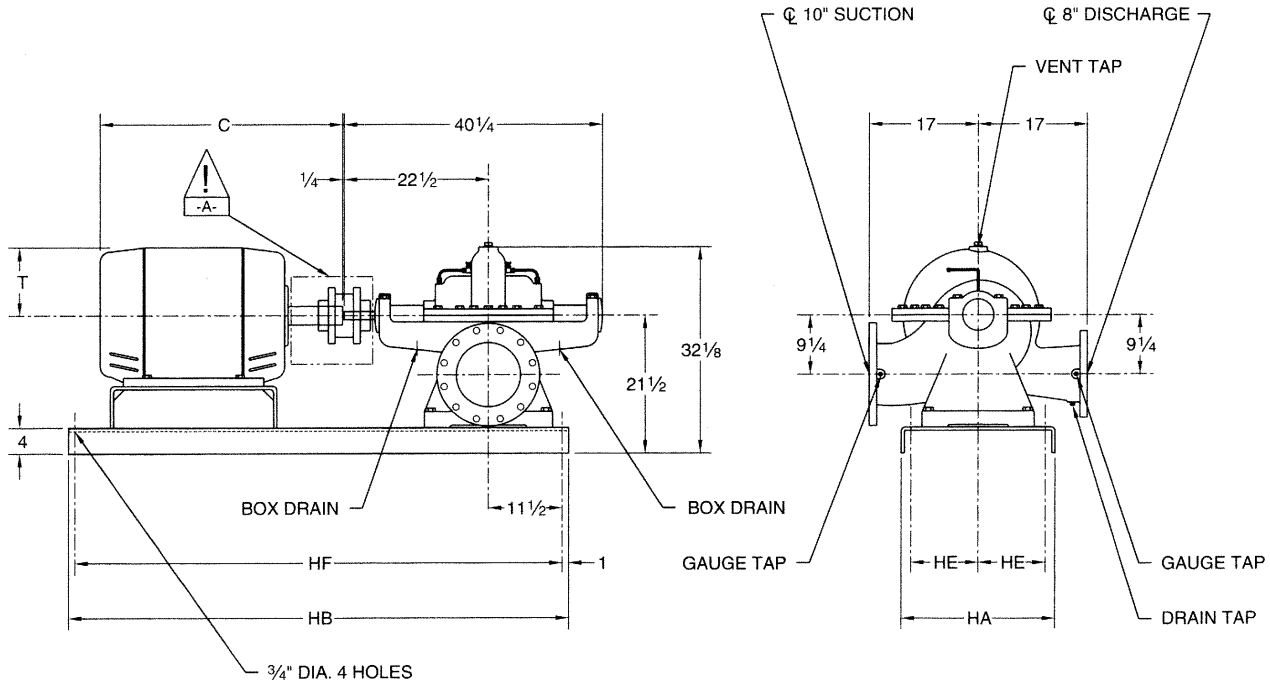
WARNING

DO NOT OPERATE THIS MACHINE WITHOUT PROTECTIVE GUARD IN PLACE. ANY OPERATION OF THIS MACHINE WITHOUT PROTECTIVE GUARD CAN RESULT IN SEVERE BODILY INJURY.

-A- SUPPLIED BY FMPC -B- SUPPLIED BY OTHERS

NOTES:

- (1) ALL FLANGES ARE STANDARD 125# ANSI DRILLING. OPTIONAL 250# ANSI FLANGES ARE AVAILABLE.
- (2) ALL DIMENSIONS ARE IN INCHES UNLESS NOTED.
- (3) ROTATION IS ALWAYS VIEWED FROM THE DRIVER END. FOR C.C.W. ROTATION, SUCTION AND DISCHARGE POSITIONS WILL BE ON OPPOSITE SIDES OF THAT SHOWN ABOVE AND DIMENSIONS IN THE END VIEW WILL BE REVERSED.
- (4) BASES ARE DESIGNED TO BE COMPLETELY FILLED WITH GROUT.
- (5) NOT FOR CONSTRUCTION, INSTALLATION, OR APPLICATION PURPOSES UNLESS CERTIFIED. DIMENSIONS SHOWN MAY VARY DUE TO NORMAL MANUFACTURING TOLERANCES.



CLOCKWISE ROTATION SHOWN (3)

UNIT DIMENSIONS						
MOTOR FRAME SIZE	BASE				MOTOR	
	HA	HB	HE	HF	C	T
254T	20	60	8 1/2	58	20 5/8	6 3/8
256T	20	60	8 1/2	58	22 3/8	6 3/8
286TS	20	60	8 1/2	58	23 5/8	7
286T	20	60	8 1/2	58	25	7
324TS	24	66	10 1/2	64	24 5/8	8
324T	24	66	10 1/2	64	26 1/8	8
326TS	24	66	10 1/2	64	26 1/8	8
326T	24	66	10 1/2	64	27 5/8	8
364TS	24	66	10 1/2	64	26 5/8	9 1/4

UNIT DIMENSIONS						
MOTOR FRAME SIZE	BASE				MOTOR	
	HA	HB	HE	HF	C	T
364T	24	66	10 1/2	64	28 3/4	9 1/4
365TS	24	66	10 1/2	64	27 5/8	9 1/4
365T	24	66	10 1/2	64	29 3/4	9 1/4
404TS	24	78	10 1/2	76	29 5/8	10 1/4
404T	24	78	10 1/2	76	32 5/8	10 1/4
405TS	24	78	10 1/2	76	31 1/8	10 1/4
405T	24	78	10 1/2	76	34 1/8	10 1/4
444TS	24	78	10 1/2	76	34 1/8	11 1/4
444T	24	78	10 1/2	76	37 7/8	11 1/4

CUSTOMER				P.O. NO.		<p>Fairbanks Morse Pump Corporation</p>
JOB NAME				TAG NAME		
PUMP SIZE AND MODEL		GPM	TDH	RPM	ROTATION	
MOTOR	HP	FRAME	PHASE	HERTZ	VOLTS	ENCLOSURE
CERTIFIED FOR			CERTIFIED BY		DATE	
					DWG NO.	5820S075
					REV NO.	0

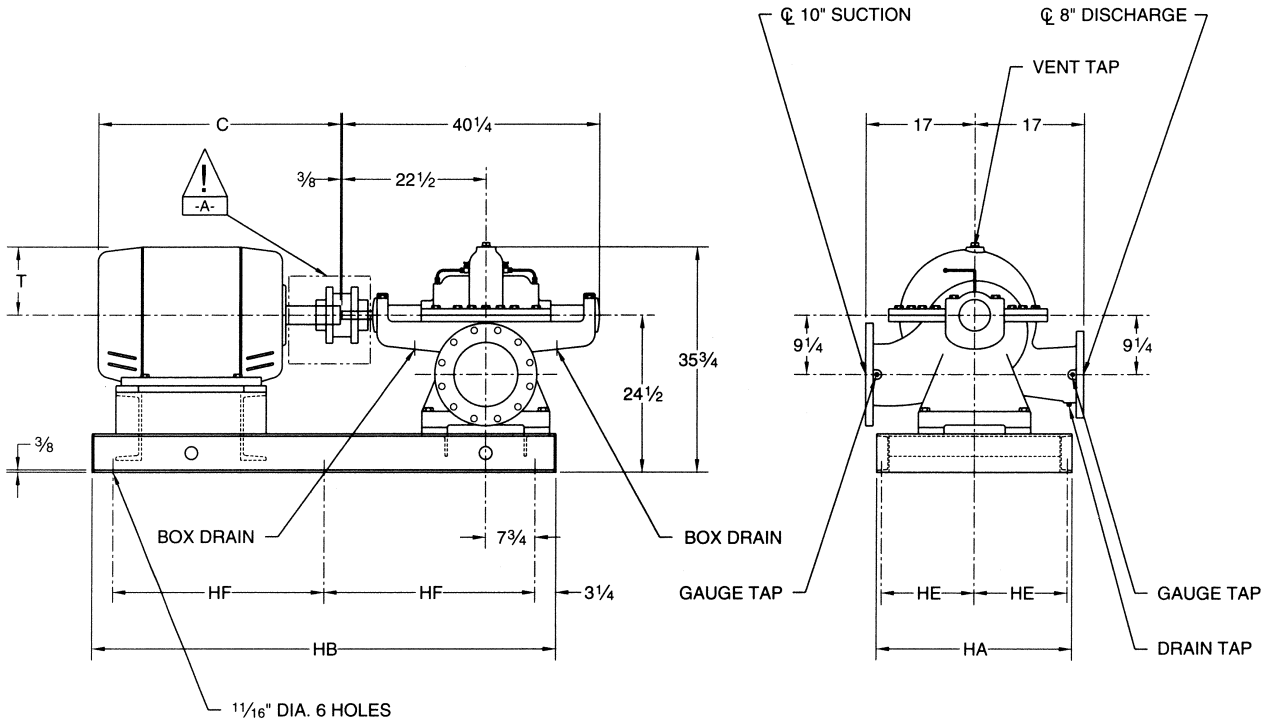
WARNING

DO NOT OPERATE THIS MACHINE WITHOUT PROTECTIVE GUARD IN PLACE. ANY OPERATION OF THIS MACHINE WITHOUT PROTECTIVE GUARD CAN RESULT IN SEVERE BODILY INJURY.

-A- SUPPLIED BY FMPC -B- SUPPLIED BY OTHERS

NOTES:

- (1) ALL FLANGES ARE STANDARD 125# ANSI DRILLING. OPTIONAL 250# ANSI FLANGES ARE AVAILABLE.
- (2) ALL DIMENSIONS ARE IN INCHES UNLESS NOTED.
- (3) ROTATION IS ALWAYS VIEWED FROM THE DRIVER END. FOR C.C.W. ROTATION, SUCTION AND DISCHARGE POSITIONS WILL BE ON OPPOSITE SIDES OF THAT SHOWN ABOVE AND DIMENSIONS IN THE END VIEW WILL BE REVERSED.
- (4) BASES ARE DESIGNED TO BE COMPLETELY FILLED WITH GROUT.
- (5) NOT FOR CONSTRUCTION, INSTALLATION, OR APPLICATION PURPOSES UNLESS CERTIFIED. DIMENSIONS SHOWN MAY VARY DUE TO NORMAL MANUFACTURING TOLERANCES.



CLOCKWISE ROTATION SHOWN (3)

UNIT DIMENSIONS						
MOTOR FRAME	BASE				MOTOR	
SIZE	HA	HB	HE	HF	C	T
254T	22 3/4	54 1/2	10 5/8	24	20 5/8	6 3/8
256T	22 3/4	54 1/2	10 5/8	24	22 3/8	6 3/8
284TS	22 3/4	60 1/2	10 5/8	27	22 1/8	7
284T	22 3/4	60 1/2	10 5/8	27	23 1/2	7
286TS	22 3/4	60 1/2	10 5/8	27	23 5/8	7
286T	22 3/4	60 1/2	10 5/8	27	25	7
324TS	22 3/4	60 1/2	10 5/8	27	24 5/8	8
324T	22 3/4	60 1/2	10 5/8	27	26 1/8	8
326TS	30 1/2	66 1/2	14 1/2	30	26 1/8	8
326T	30 1/2	66 1/2	14 1/2	30	27 5/8	8

UNIT DIMENSIONS						
MOTOR FRAME	BASE				MOTOR	
SIZE	HA	HB	HE	HF	C	T
364TS	30 1/2	66 1/2	14 1/2	30	26 5/8	9 1/4
364T	30 1/2	66 1/2	14 1/2	30	28 3/4	9 1/4
365TS	30 1/2	66 1/2	14 1/2	30	27 5/8	9 1/4
365T	30 1/2	66 1/2	14 1/2	30	29 3/4	9 1/4
404TS	30 1/2	66 1/2	14 1/2	30	29 5/8	10 1/4
404T	30 1/2	66 1/2	14 1/2	30	32 5/8	10 1/4
405TS	30 1/2	66 1/2	14 1/2	30	31 1/8	10 1/4
405T	30 1/2	66 1/2	14 1/2	30	34 1/8	10 1/4
444TS	30 1/2	66 1/2	14 1/2	30	34 1/8	11 1/4
444T	30 1/2	66 1/2	14 1/2	30	37 7/8	11 1/4

CUSTOMER				P.O. NO.		<p>SETTING PLAN 8" 5823 OPTIONAL STRUCTURAL BASE</p> <p>DWG NO 5820S077 REV NO 0</p>
JOB NAME				TAG NAME		
PUMP SIZE AND MODEL		GPM	TDH	RPM	ROTATION	
MOTOR	HP	FRAME	PHASE	HERTZ	VOLTS ENCLOSURE	
CERTIFIED FOR			CERTIFIED BY		DATE	

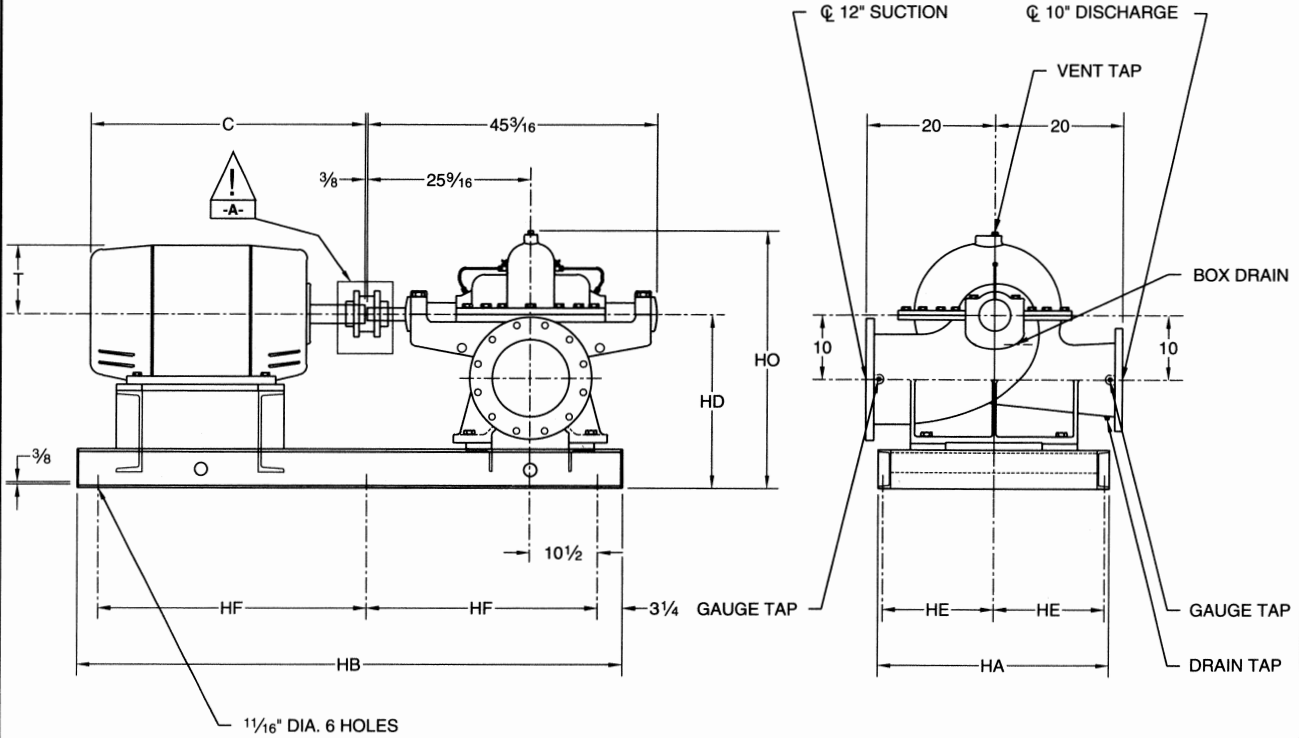
WARNING

DO NOT OPERATE THIS MACHINE WITHOUT PROTECTIVE GUARD IN PLACE. ANY OPERATION OF THIS MACHINE WITHOUT PROTECTIVE GUARD CAN RESULT IN SEVERE BODILY INJURY.

-A- SUPPLIED BY FMPC -B- SUPPLIED BY OTHERS

NOTES:

- (1) ALL FLANGES ARE STANDARD 125# ANSI DRILLING. OPTIONAL 250# ANSI FLANGES ARE AVAILABLE.
- (2) ALL DIMENSIONS ARE IN INCHES UNLESS NOTED.
- (3) ROTATION IS ALWAYS VIEWED FROM THE DRIVER END. FOR C.C.W. ROTATION, SUCTION AND DISCHARGE POSITIONS WILL BE ON OPPOSITE SIDES OF THAT SHOWN AND DIMENSIONS IN THE END VIEW WILL BE REVERSED.
- (4) BASES ARE DESIGNED TO BE COMPLETELY FILLED WITH GROUT.
- (5) NOT FOR CONSTRUCTION, INSTALLATION, OR APPLICATION PURPOSES UNLESS CERTIFIED. DIMENSIONS SHOWN MAY VARY DUE TO NORMAL MANUFACTURING TOLERANCES.



CLOCKWISE ROTATION SHOWN (3)

UNIT DIMENSIONS								
MOTOR FRAME SIZE	BASE					MOTOR		
	HA	HB	HD	HE	HF	HO	C	T
326TS	30 1/2	66 1/2	27	14 1/2	30	42 5/8	26 1/8	8
326T	30 1/2	66 1/2	27	14 1/2	30	42 5/8	27 5/8	8
364TS	30 1/2	66 1/2	27	14 1/2	30	42 5/8	26 5/8	9 1/4
364T	30 1/2	66 1/2	27	14 1/2	30	42 5/8	28 3/4	9 1/4
365TS	30 1/2	66 1/2	27	14 1/2	30	42 5/8	27 5/8	9 1/4
365T	30 1/2	66 1/2	27	14 1/2	30	42 5/8	29 3/4	9 1/4
404TS	31 1/4	72 1/2	29	14 3/4	33	44 5/8	29 5/8	10 1/4
404T	31 1/4	72 1/2	29	14 3/4	33	44 5/8	32 5/8	10 1/4

UNIT DIMENSIONS								
MOTOR FRAME SIZE	BASE					MOTOR		
	HA	HB	HD	HE	HF	HO	C	T
405TS	31 1/4	72 1/2	29	14 3/4	33	44 5/8	31 1/8	10 1/4
405T	31 1/4	72 1/2	29	14 3/4	33	44 5/8	34 1/8	10 1/4
444TS	31 1/4	72 1/2	29	14 3/4	33	44 5/8	34 1/8	11 1/4
444T	31 1/4	72 1/2	29	14 3/4	33	44 5/8	37 7/8	11 1/4
445TS	31 1/4	72 1/2	29	14 3/4	33	44 5/8	36 1/8	11 1/4
445T	36 3/4	84 1/2	29	17 1/2	39	44 5/8	39 7/8	11 1/4
447TS	36 3/4	84 1/2	29	17 1/2	39	44 5/8	39 5/8	11 1/4
447T	36 3/4	84 1/2	29	17 1/2	39	44 5/8	43 1/4	11 1/4

CUSTOMER				P.O. NO.	
JOB NAME				TAG NAME	
PUMP SIZE AND MODEL		GPM	TDH	RPM	ROTATION
MOTOR	HP	FRAME	PHASE	HERTZ	VOLTS
CERTIFIED FOR			CERTIFIED BY		DATE



SETTING PLAN
10" 5823
STRUCTURAL BASE

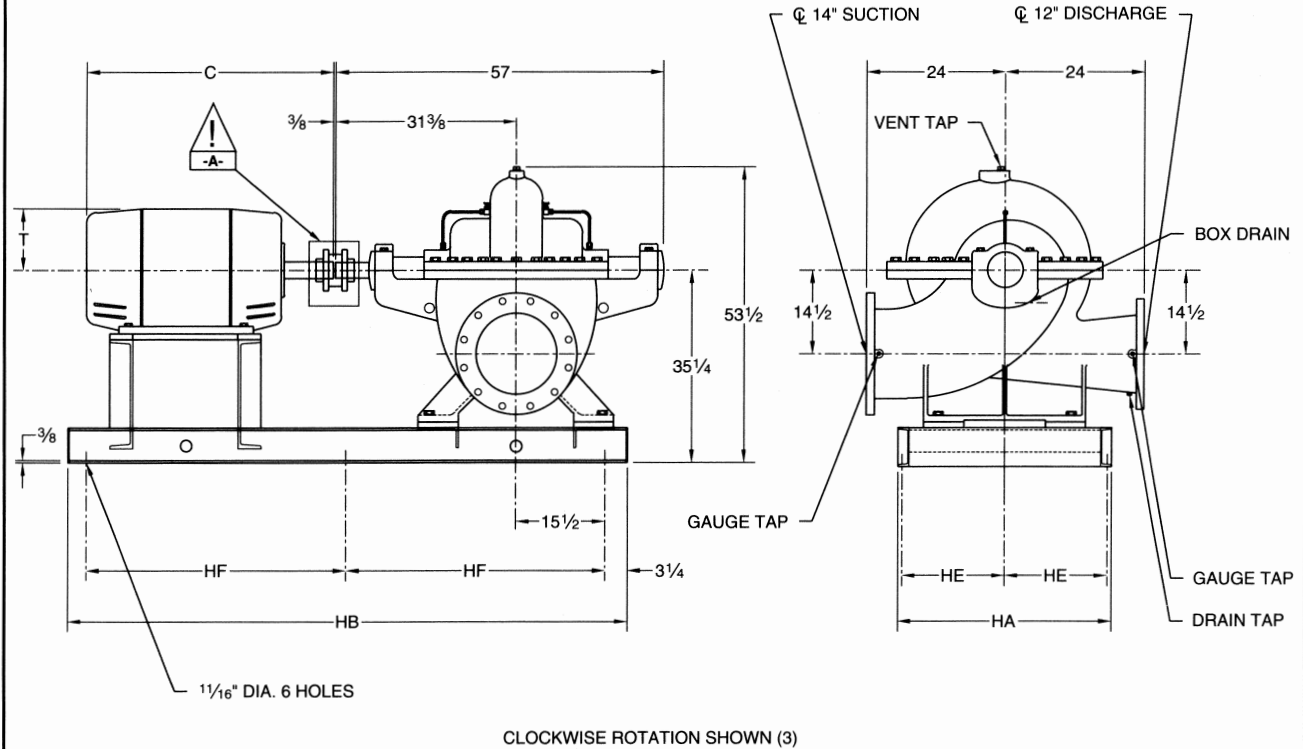
DWG NO. **5820S079** REV NO. **0**

WARNING

DO NOT OPERATE THIS MACHINE WITHOUT PROTECTIVE GUARD IN PLACE. ANY OPERATION OF THIS MACHINE WITHOUT PROTECTIVE GUARD CAN RESULT IN SEVERE BODILY INJURY.

-A- SUPPLIED BY FMPC -B- SUPPLIED BY OTHERS

- NOTES:**
- (1) ALL FLANGES ARE STANDARD 125# ANSI DRILLING. OPTIONAL 250# ANSI FLANGES ARE AVAILABLE.
 - (2) ALL DIMENSIONS ARE IN INCHES UNLESS NOTED.
 - (3) ROTATION IS ALWAYS VIEWED FROM THE DRIVER END. FOR C.C.W. ROTATION, SUCTION AND DISCHARGE POSITIONS WILL BE ON OPPOSITE SIDES OF THAT SHOWN AND DIMENSIONS IN THE END VIEW WILL BE REVERSED.
 - (4) BASES ARE DESIGNED TO BE COMPLETELY FILLED WITH GROUT.
 - (5) NOT FOR CONSTRUCTION, INSTALLATION, OR APPLICATION PURPOSES UNLESS CERTIFIED. DIMENSIONS SHOWN MAY VARY DUE TO NORMAL MANUFACTURING TOLERANCES.




MOTOR FRAME SIZE	UNIT DIMENSIONS					
	BASE			MOTOR		
	HA	HB	HE	HF	C	T
404TS	36 3/4	84 1/2	17 1/2	39	29 5/8	10 1/4
404T	36 3/4	84 1/2	17 1/2	39	32 5/8	10 1/4
405TS	36 3/4	84 1/2	17 1/2	39	31 1/8	10 1/4
405T	36 3/4	84 1/2	17 1/2	39	34 1/8	10 1/4
444TS	36 3/4	84 1/2	17 1/2	39	34 1/8	11 1/4
444T	36 3/4	84 1/2	17 1/2	39	37 7/8	11 1/4
445TS	36 3/4	96 1/2	17 1/2	45	36 1/8	11 1/4

MOTOR FRAME SIZE	UNIT DIMENSIONS					
	BASE			MOTOR		
	HA	HB	HE	HF	C	T
445T	36 3/4	96 1/2	17 1/2	45	39 7/8	11 1/4
447TS	36 3/4	96 1/2	17 1/2	45	39 5/8	11 1/4
447T	36 3/4	96 1/2	17 1/2	45	43 1/4	11 1/4
449TS	36 3/4	96 1/2	17 1/2	45	44 5/8	11 1/4
449T	36 3/4	96 1/2	17 1/2	45	48 1/8	11 1/4

CONSULT FACTORY FOR LARGER MOTORS

CUSTOMER				P.O. NO.				
JOB NAME				TAG NAME				
PUMP SIZE AND MODEL		GPM	TDH	RPM	ROTATION			
MOTOR	HP	FRAME	PHASE	HERTZ	VOLTS	ENCLOSURE		
CERTIFIED FOR			CERTIFIED BY		DATE			
					DWG NO	5820S081	REV NO	1

SETTING PLAN
12" 5823
STRUCTURAL BASE



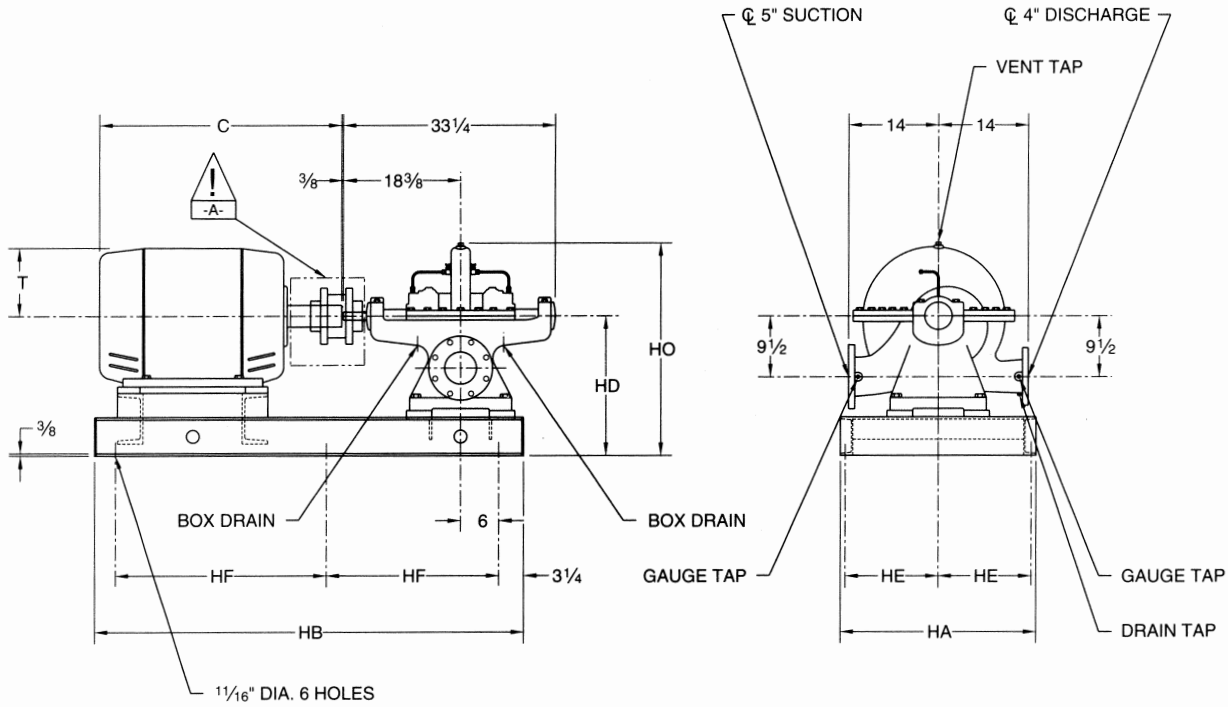
WARNING

DO NOT OPERATE THIS MACHINE WITHOUT PROTECTIVE GUARD IN PLACE. ANY OPERATION OF THIS MACHINE WITHOUT PROTECTIVE GUARD CAN RESULT IN SEVERE BODILY INJURY.

-A- SUPPLIED BY FMPC -B- SUPPLIED BY OTHERS

NOTES:

- (1) ALL FLANGES ARE STANDARD 125# ANSI DRILLING. OPTIONAL 250# ANSI FLANGES ARE AVAILABLE.
- (2) ALL DIMENSIONS ARE IN INCHES UNLESS NOTED.
- (3) ROTATION IS ALWAYS VIEWED FROM THE DRIVER END. FOR C.C.W. ROTATION, SUCTION AND DISCHARGE POSITIONS WILL BE ON OPPOSITE SIDES OF THAT SHOWN ABOVE AND DIMENSIONS IN THE END VIEW WILL BE REVERSED.
- (4) BASES ARE DESIGNED TO BE COMPLETELY FILLED WITH GROUT.
- (5) NOT FOR CONSTRUCTION, INSTALLATION, OR APPLICATION PURPOSES UNLESS CERTIFIED. DIMENSIONS SHOWN MAY VARY DUE TO NORMAL MANUFACTURING TOLERANCES.



CLOCKWISE ROTATION SHOWN (3)

MOTOR FRAME	UNIT DIMENSIONS						MOTOR	
	BASE						C	T
SIZE	HA	HB	HD	HE	HF	HO	C	T
254T	22 1/4	48 1/2	19 3/4	10 1/2	21	31 1/4	20 5/8	6 3/8
256T	22 1/4	48 1/2	19 3/4	10 1/2	21	31 1/4	22 3/8	6 3/8
284TS	22 3/4	54 1/2	21 3/4	10 5/8	24	33 1/4	22 1/8	7
284T	22 3/4	54 1/2	21 3/4	10 5/8	24	33 1/4	23 1/2	7
286TS	22 3/4	54 1/2	21 3/4	10 5/8	24	33 1/4	23 5/8	7
286T	22 3/4	54 1/2	21 3/4	10 5/8	24	33 1/4	25	7
324TS	22 3/4	54 1/2	21 3/4	10 5/8	24	33 1/4	24 5/8	8
324T	22 3/4	54 1/2	21 3/4	10 5/8	24	33 1/4	26 1/8	8
326TS	22 3/4	54 1/2	21 3/4	10 5/8	24	33 1/4	26 1/8	8
326T	22 3/4	54 1/2	21 3/4	10 5/8	24	33 1/4	27 5/8	8

MOTOR FRAME	UNIT DIMENSIONS						MOTOR	
	BASE						C	T
SIZE	HA	HB	HD	HE	HF	HO	C	T
364TS	22 3/4	54 1/2	21 3/4	10 5/8	24	33 1/4	26 5/8	9 1/4
364T	22 3/4	54 1/2	21 3/4	10 5/8	24	33 1/4	28 3/4	9 1/4
365TS	22 3/4	54 1/2	21 3/4	10 5/8	24	33 1/4	27 5/8	9 1/4
365T	22 3/4	54 1/2	21 3/4	10 5/8	24	33 1/4	29 3/4	9 1/4
404TS	30 1/2	60 1/2	21 3/4	14 1/2	27	33 1/4	29 5/8	10 1/4
404T	30 1/2	60 1/2	21 3/4	14 1/2	27	33 1/4	32 5/8	10 1/4
405TS	30 1/2	60 1/2	21 3/4	14 1/2	27	33 1/4	31 1/8	10 1/4
405T	30 1/2	60 1/2	21 3/4	14 1/2	27	33 1/4	34 1/8	10 1/4
444TS	30 1/2	60 1/2	21 3/4	14 1/2	27	33 1/4	34 1/8	11 1/4
444T	30 1/2	60 1/2	21 3/4	14 1/2	27	33 1/4	37 7/8	11 1/4

CUSTOMER				P.O. NO.	
JOB NAME				TAG NAME	
PUMP SIZE AND MODEL		GPM	TDH	ROTATION	
MOTOR	HP	FRAME	PHASE	HERTZ	ENCLOSURE
CERTIFIED FOR			CERTIFIED BY		DATE



SETTING PLAN
4" 5824
STRUCTURAL BASE

DWG NO **5820S085** REV NO **0**

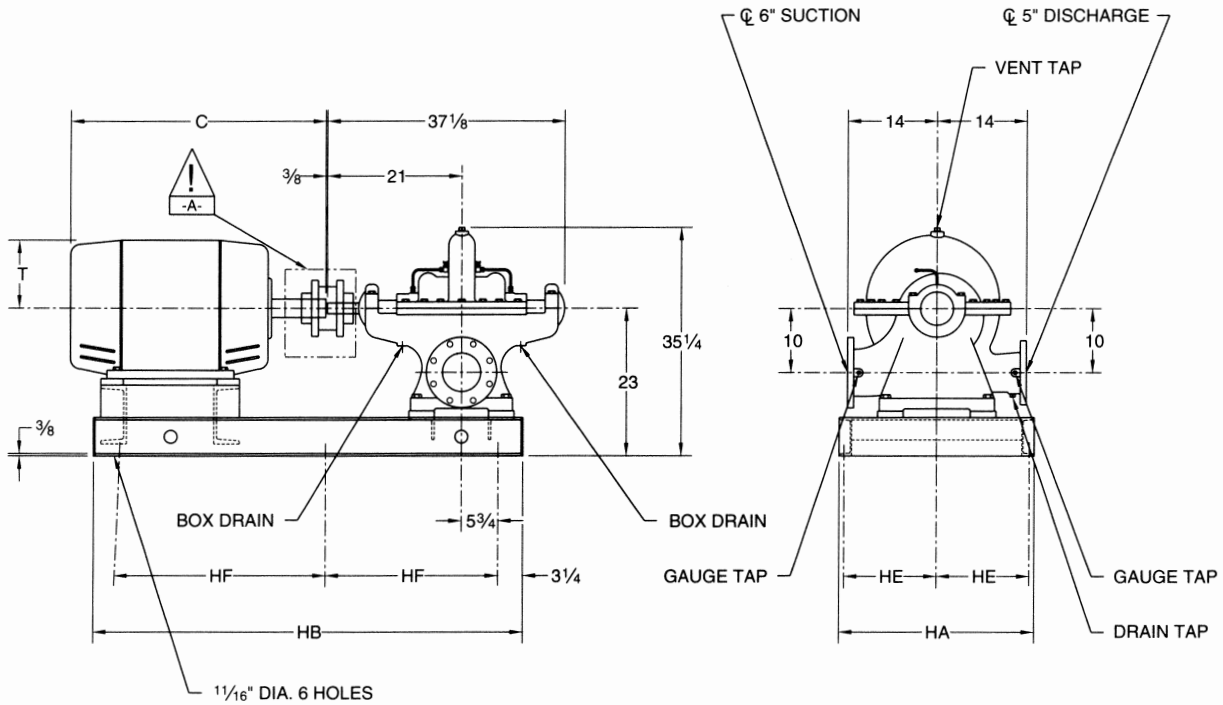
WARNING

DO NOT OPERATE THIS MACHINE WITHOUT PROTECTIVE GUARD IN PLACE. ANY OPERATION OF THIS MACHINE WITHOUT PROTECTIVE GUARD CAN RESULT IN SEVERE BODILY INJURY.

-A- SUPPLIED BY FMPC -B- SUPPLIED BY OTHERS

NOTES:

- (1) ALL FLANGES ARE STANDARD 125# ANSI DRILLING. OPTIONAL 250# ANSI FLANGES ARE AVAILABLE.
- (2) ALL DIMENSIONS ARE IN INCHES UNLESS NOTED.
- (3) ROTATION IS ALWAYS VIEWED FROM THE DRIVER END. FOR C.C.W. ROTATION, SUCTION AND DISCHARGE POSITIONS WILL BE ON OPPOSITE SIDES OF THAT SHOWN ABOVE AND DIMENSIONS IN THE END VIEW WILL BE REVERSED.
- (4) BASES ARE DESIGNED TO BE COMPLETELY FILLED WITH GROUT.
- (5) NOT FOR CONSTRUCTION, INSTALLATION, OR APPLICATION PURPOSES UNLESS CERTIFIED. DIMENSIONS SHOWN MAY VARY DUE TO NORMAL MANUFACTURING TOLERANCES.



CLOCKWISE ROTATION SHOWN (3)

MOTOR FRAME SIZE	BASE				MOTOR	
	HA	HB	HE	HF	C	T
256T	22 3/4	54 1/2	10 5/8	24	22 3/8	6 3/8
284TS	22 3/4	54 1/2	10 5/8	24	22 1/8	7
284T	22 3/4	54 1/2	10 5/8	24	23 1/2	7
286TS	22 3/4	54 1/2	10 5/8	24	23 5/8	7
286T	22 3/4	54 1/2	10 5/8	24	25	7
324TS	22 3/4	54 1/2	10 5/8	24	24 5/8	8
324T	22 3/4	54 1/2	10 5/8	24	26 1/8	8
326TS	22 3/4	60 1/2	10 5/8	27	26 1/8	8
326T	22 3/4	60 1/2	10 5/8	27	27 5/8	8
364TS	22 3/4	60 1/2	10 5/8	27	26 5/8	9 1/4
364T	22 3/4	60 1/2	10 5/8	27	28 3/4	9 1/4

MOTOR FRAME SIZE	BASE				MOTOR	
	HA	HB	HE	HF	C	T
365TS	22 3/4	60 1/2	10 5/8	27	27 5/8	9 1/4
365T	22 3/4	60 1/2	10 5/8	27	29 3/4	9 1/4
404TS	30 1/2	60 1/2	14 1/2	27	29 5/8	10 1/4
404T	30 1/2	60 1/2	14 1/2	27	32 5/8	10 1/4
405TS	30 1/2	60 1/2	14 1/2	27	31 1/8	10 1/4
405T	30 1/2	60 1/2	14 1/2	27	34 1/8	10 1/4
444TS	30 1/2	66 1/2	14 1/2	27	34 1/8	11 1/4
444T	30 1/2	66 1/2	14 1/2	30	37 7/8	11 1/4
445TS	30 1/2	66 1/2	14 1/2	30	36 1/8	11 1/4
445T	30 1/2	66 1/2	14 1/2	30	39 7/8	11 1/4

CUSTOMER				P.O. NO.		
JOB NAME				TAG NAME		
PUMP SIZE AND MODEL		GPM	TDH	RPM	ROTATION	
MOTOR	HP	FRAME	PHASE	HERTZ	VOLTS	ENCLOSURE
CERTIFIED FOR			CERTIFIED BY		DATE	
					DWG NO	5820S089
					REV NO	0

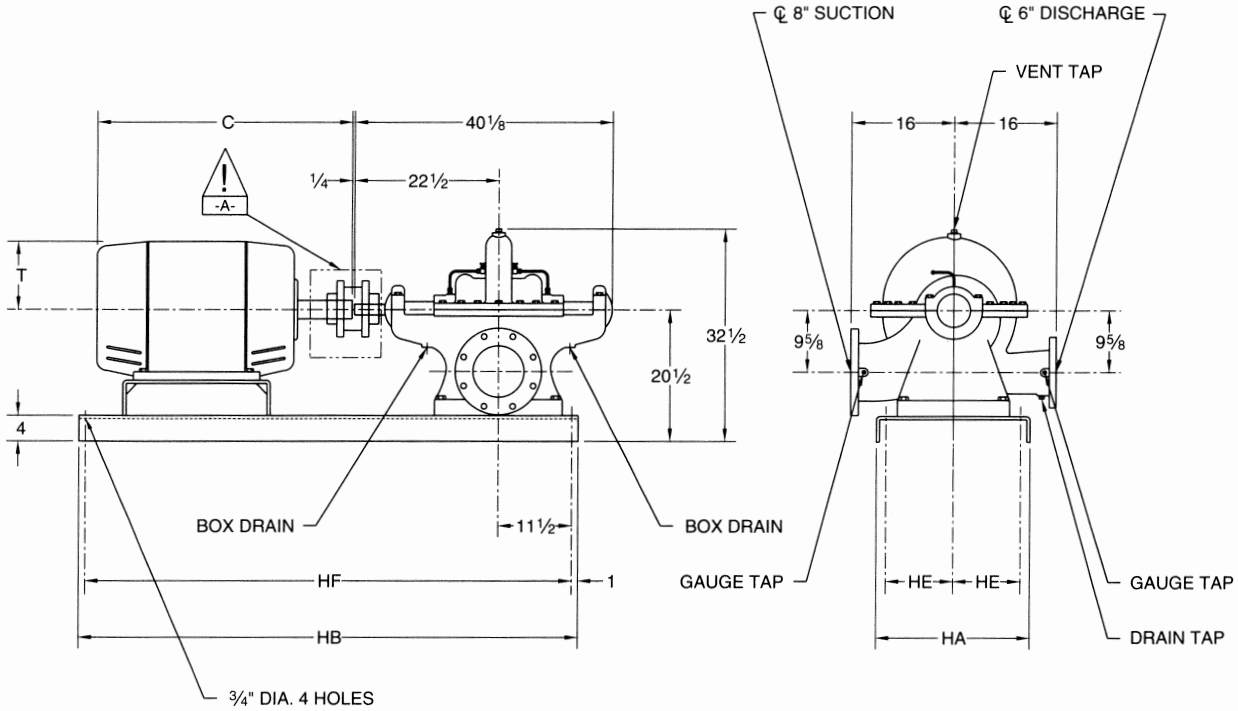
SETTING PLAN
5" 5824
STRUCTURAL BASE

WARNING

DO NOT OPERATE THIS MACHINE WITHOUT PROTECTIVE GUARD IN PLACE. ANY OPERATION OF THIS MACHINE WITHOUT PROTECTIVE GUARD CAN RESULT IN SEVERE BODILY INJURY.

-A- SUPPLIED BY FMPC -B- SUPPLIED BY OTHERS

- NOTES:
- (1) ALL FLANGES ARE STANDARD 125# ANSI DRILLING. OPTIONAL 250# ANSI FLANGES ARE AVAILABLE.
 - (2) ALL DIMENSIONS ARE IN INCHES UNLESS NOTED.
 - (3) ROTATION IS ALWAYS VIEWED FROM THE DRIVER END. FOR C.C.W. ROTATION, SUCTION AND DISCHARGE POSITIONS WILL BE ON OPPOSITE SIDES OF THAT SHOWN ABOVE AND DIMENSIONS IN THE END VIEW WILL BE REVERSED.
 - (4) BASES ARE DESIGNED TO BE COMPLETELY FILLED WITH GROUT.
 - (5) NOT FOR CONSTRUCTION, INSTALLATION, OR APPLICATION PURPOSES UNLESS CERTIFIED. DIMENSIONS SHOWN MAY VARY DUE TO NORMAL MANUFACTURING TOLERANCES.



CLOCKWISE ROTATION SHOWN (3)

MOTOR FRAME SIZE	UNIT DIMENSIONS BASE				MOTOR	
	HA	HB	HE	HF	C	T
284TS	20	60	8 1/2	58	22 1/8	7
284T	20	60	8 1/2	58	23 1/2	7
286TS	20	60	8 1/2	58	23 5/8	7
286T	20	60	8 1/2	58	25	7
324TS	24	66	10 1/2	64	24 5/8	8
324T	24	66	10 1/2	64	26 1/8	8
326TS	24	66	10 1/2	64	26 1/8	8
326T	24	66	10 1/2	64	27 5/8	8
364TS	24	66	10 1/2	64	26 5/8	9 1/4
364T	24	66	10 1/2	64	28 3/4	9 1/4

MOTOR FRAME SIZE	UNIT DIMENSIONS BASE				MOTOR	
	HA	HB	HE	HF	C	T
365TS	24	66	10 1/2	64	27 5/8	9 1/4
365T	24	66	10 1/2	64	29 3/4	9 1/4
404TS	24	78	10 1/2	76	29 5/8	10 1/4
404T	24	78	10 1/2	76	32 5/8	10 1/4
405TS	24	78	10 1/2	76	31 1/8	10 1/4
405T	24	78	10 1/2	76	34 1/8	10 1/4
444TS	24	78	10 1/2	76	34 1/8	11 1/4
444T	24	78	10 1/2	76	37 7/8	11 1/4
445TS	24	78	10 1/2	76	36 1/8	11 1/4
445T	24	78	10 1/2	76	39 7/8	11 1/4

CUSTOMER				P.O. NO.	
JOB NAME				TAG NAME	
PUMP SIZE AND MODEL		GPM	TDH	RPM	ROTATION
MOTOR	HP	FRAME	PHASE	HERTZ	VOLTS
CERTIFIED FOR			CERTIFIED BY		DATE
					ENCLOSURE



SETTING PLAN
6" 5824
BENT FORM BASE

DWG NO **5820S091** REV NO **0**

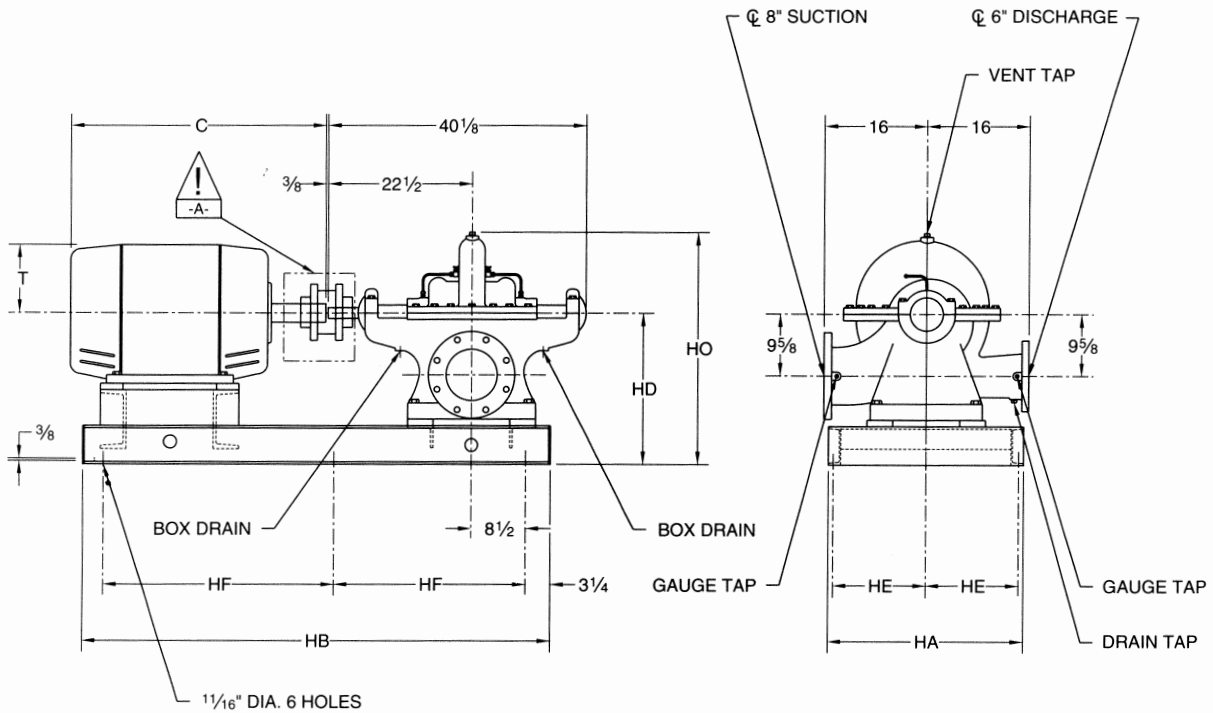
! WARNING

DO NOT OPERATE THIS MACHINE WITHOUT PROTECTIVE GUARD IN PLACE. ANY OPERATION OF THIS MACHINE WITHOUT PROTECTIVE GUARD CAN RESULT IN SEVERE BODILY INJURY.

-A- SUPPLIED BY FMPC -B- SUPPLIED BY OTHERS

NOTES:

- (1) ALL FLANGES ARE STANDARD 125# ANSI DRILLING. OPTIONAL 250# ANSI FLANGES ARE AVAILABLE.
- (2) ALL DIMENSIONS ARE IN INCHES UNLESS NOTED.
- (3) ROTATION IS ALWAYS VIEWED FROM THE DRIVER END. FOR C.C.W. ROTATION, SUCTION AND DISCHARGE POSITIONS WILL BE ON OPPOSITE SIDES OF THAT SHOWN ABOVE AND DIMENSIONS IN THE END VIEW WILL BE REVERSED.
- (4) BASES ARE DESIGNED TO BE COMPLETELY FILLED WITH GROUT.
- (5) NOT FOR CONSTRUCTION, INSTALLATION, OR APPLICATION PURPOSES UNLESS CERTIFIED. DIMENSIONS SHOWN MAY VARY DUE TO NORMAL MANUFACTURING TOLERANCES.



CLOCKWISE ROTATION SHOWN (3)

MOTOR FRAME SIZE	UNIT DIMENSIONS BASE						MOTOR	
	HA	HB	HD	HE	HF	HO	C	T
284TS	22 3/4	60 1/2	23 1/2	10 5/8	27	36	22 1/8	7
284T	22 3/4	60 1/2	23 1/2	10 5/8	27	36	23 1/2	7
286TS	22 3/4	60 1/2	23 1/2	10 5/8	27	36	23 5/8	7
286T	22 3/4	60 1/2	23 1/2	10 5/8	27	36	25	7
324TS	22 3/4	60 1/2	23 1/2	10 5/8	27	36	24 5/8	8
324T	22 3/4	60 1/2	23 1/2	10 5/8	27	36	26 1/8	8
326TS	22 3/4	60 1/2	23 1/2	10 5/8	27	36	26 1/8	8
326T	22 3/4	60 1/2	23 1/2	10 5/8	27	36	27 5/8	8
364TS	22 3/4	60 1/2	23 1/2	10 5/8	27	36	26 5/8	9 1/4
364T	22 3/4	60 1/2	23 1/2	10 5/8	27	36	28 3/4	9 1/4

MOTOR FRAME SIZE	UNIT DIMENSIONS BASE						MOTOR	
	HA	HB	HD	HE	HF	HO	C	T
365TS	22 3/4	66 1/2	23 1/2	10 5/8	30	36	27 5/8	9 1/4
365T	22 3/4	66 1/2	23 1/2	10 5/8	30	36	29 3/4	9 1/4
404TS	30 1/2	66 1/2	23 1/2	14 1/2	30	36	29 5/8	10 1/4
404T	30 1/2	66 1/2	23 1/2	14 1/2	30	36	32 5/8	10 1/4
405TS	31 1/4	72 1/2	25 1/2	14 3/4	33	38	31 1/8	10 1/4
405T	31 1/4	72 1/2	25 1/2	14 3/4	33	38	34 1/8	10 1/4
444TS	31 1/4	72 1/2	25 1/2	14 3/4	33	38	34 1/8	11 1/4
444T	31 1/4	72 1/2	25 1/2	14 3/4	33	38	37 7/8	11 1/4
445TS	31 1/4	72 1/2	25 1/2	14 3/4	33	38	36 1/8	11 1/4
445T	31 1/4	72 1/2	25 1/2	14 3/4	33	38	39 7/8	11 1/4

CUSTOMER				P.O. NO.		<p>SETTING PLAN 6" 5824 OPTIONAL STRUCTURAL BASE</p>	
JOB NAME				TAG NAME			
PUMP SIZE AND MODEL		GPM	TDH	RPM	ROTATION		
MOTOR	HP	FRAME	PHASE	HERTZ	VOLTS	ENCLOSURE	
CERTIFIED FOR			CERTIFIED BY		DATE		
					DWG NO	5820S093	REV NO 0

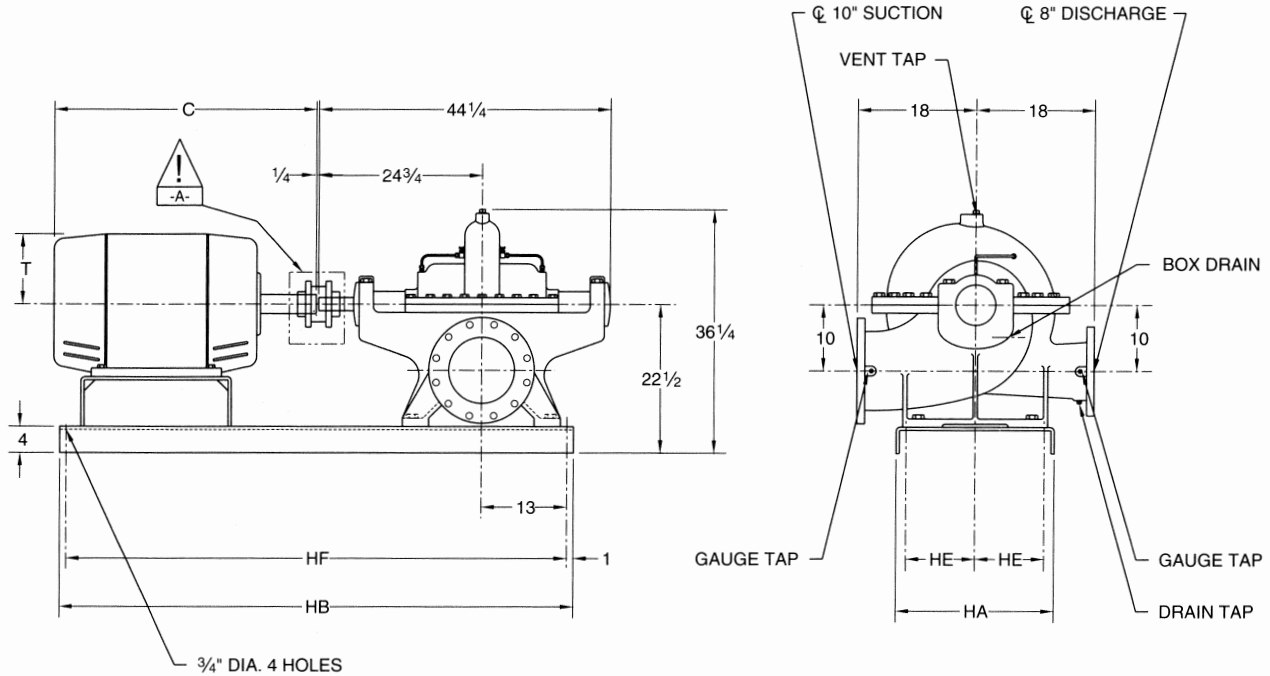
WARNING

DO NOT OPERATE THIS MACHINE WITHOUT PROTECTIVE GUARD IN PLACE. ANY OPERATION OF THIS MACHINE WITHOUT PROTECTIVE GUARD CAN RESULT IN SEVERE BODILY INJURY.

-A- SUPPLIED BY FMPC -B- SUPPLIED BY OTHERS

NOTES:

- (1) ALL FLANGES ARE STANDARD 125# ANSI DRILLING. OPTIONAL 250# ANSI FLANGES ARE AVAILABLE.
- (2) ALL DIMENSIONS ARE IN INCHES UNLESS NOTED.
- (3) ROTATION IS ALWAYS VIEWED FROM THE DRIVER END. FOR C.C.W. ROTATION, SUCTION AND DISCHARGE POSITIONS WILL BE ON OPPOSITE SIDES OF THAT SHOWN ABOVE AND DIMENSIONS IN THE END VIEW WILL BE REVERSED.
- (4) BASES ARE DESIGNED TO BE COMPLETELY FILLED WITH GROUT.
- (5) FOR MOTOR FRAMES LARGER THAN 445 SEE STRUCTURAL STEEL BASE SETTING PLAN.
- (6) NOT FOR CONSTRUCTION, INSTALLATION, OR APPLICATION PURPOSES UNLESS CERTIFIED. DIMENSIONS SHOWN MAY VARY DUE TO NORMAL MANUFACTURING TOLERANCES.



CLOCKWISE ROTATION SHOWN (3)

MOTOR FRAME SIZE	UNIT DIMENSIONS BASE				MOTOR	
	HA	HB	HE	HF	C	T
286TS	24	66	10 1/2	64	23 5/8	7
286T	24	66	10 1/2	64	25	7
324TS	24	66	10 1/2	64	24 5/8	8
324T	24	66	10 1/2	64	26 1/8	8
326TS	24	66	10 1/2	64	26 1/8	8
326T	24	66	10 1/2	64	27 5/8	8
364TS	24	78	10 1/2	76	26 5/8	9 1/4
364T	24	78	10 1/2	76	28 3/4	9 1/4
365TS	24	78	10 1/2	76	27 5/8	9 1/4

MOTOR FRAME SIZE	UNIT DIMENSIONS BASE				MOTOR	
	HA	HB	HE	HF	C	T
365T	24	78	10 1/2	76	29 3/4	9 1/4
404TS	24	78	10 1/2	76	29 5/8	10 1/4
404T	24	78	10 1/2	76	32 5/8	10 1/4
405TS	24	78	10 1/2	76	31 1/8	10 1/4
405T	24	78	10 1/2	76	34 1/8	10 1/4
444TS	24	78	10 1/2	76	34 1/8	11 1/4
444T	24	78	10 1/2	76	37 7/8	11 1/4
445TS	24	78	10 1/2	76	36 1/8	11 1/4
445T	24	78	10 1/2	76	39 7/8	11 1/4

CUSTOMER				P.O. NO.	
JOB NAME				TAG NAME	
PUMP SIZE AND MODEL		GPM	TDH	RPM	ROTATION
MOTOR	HP	FRAME	PHASE	HERTZ	VOLTS
ENCLOSURE		CERTIFIED BY		DATE	

Fairbanks Morse
Pump Corporation

SETTING PLAN
8" 5824
BENT FORM BASE

DWG NO **5820S095** REV NO **0**

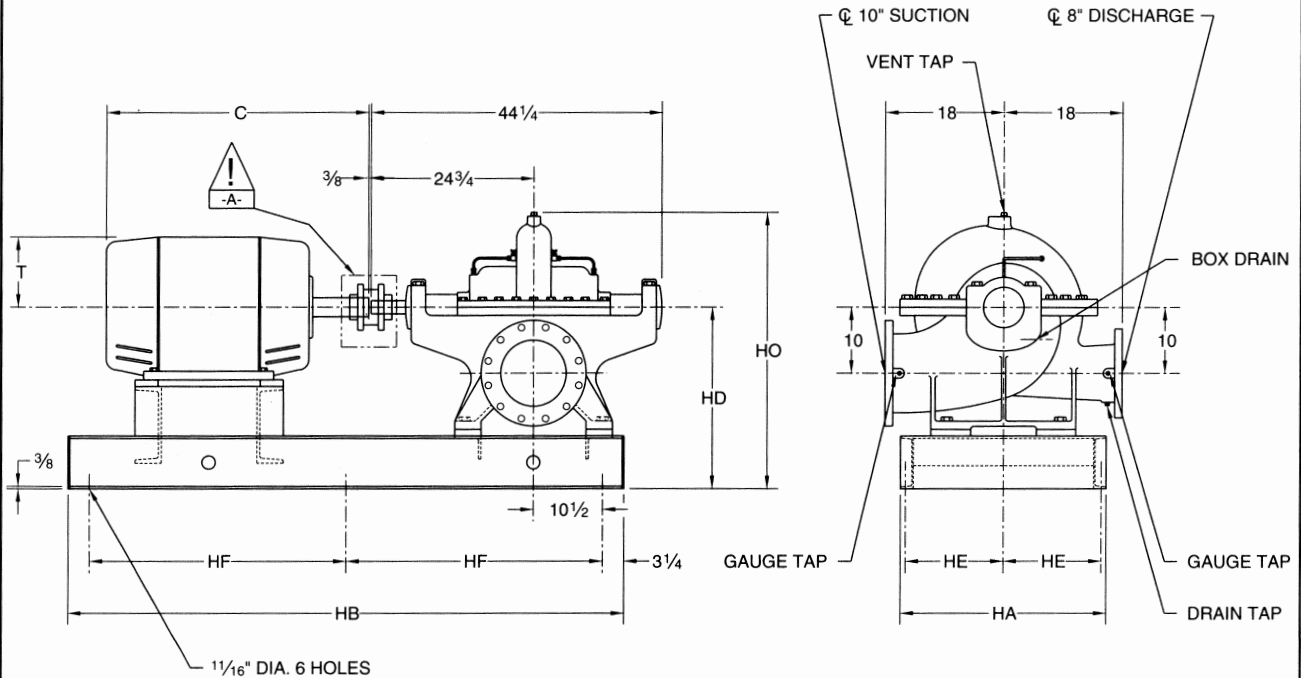
WARNING

DO NOT OPERATE THIS MACHINE WITHOUT PROTECTIVE GUARD IN PLACE. ANY OPERATION OF THIS MACHINE WITHOUT PROTECTIVE GUARD CAN RESULT IN SEVERE BODILY INJURY.

-A- SUPPLIED BY FMPC -B- SUPPLIED BY OTHERS

NOTES:

- (1) ALL FLANGES ARE STANDARD 125# ANSI DRILLING. OPTIONAL 250# ANSI FLANGES ARE AVAILABLE.
- (2) ALL DIMENSIONS ARE IN INCHES UNLESS NOTED.
- (3) ROTATION IS ALWAYS VIEWED FROM THE DRIVER END. FOR C.C.W. ROTATION, SUCTION AND DISCHARGE POSITIONS WILL BE ON OPPOSITE SIDES OF THAT SHOWN ABOVE AND DIMENSIONS IN THE END VIEW WILL BE REVERSED.
- (4) BASES ARE DESIGNED TO BE COMPLETELY FILLED WITH GROUT.
- (5) STRUCTURAL STEEL BASES ARE STANDARD FOR MOTOR FRAMES ABOVE 445T.
- (6) NOT FOR CONSTRUCTION, INSTALLATION, OR APPLICATION PURPOSES UNLESS CERTIFIED. DIMENSIONS SHOWN MAY VARY DUE TO NORMAL MANUFACTURING TOLERANCES.



CLOCKWISE ROTATION SHOWN (3)

MOTOR FRAME	UNIT DIMENSIONS							
	BASE				MOTOR			
SIZE	HA	HB	HD	HE	HF	HO	C	T
286TS	30 1/2	66 1/2	25 1/2	14 1/2	30	42 1/2	23 5/8	7
286T	30 1/2	66 1/2	25 1/2	14 1/2	30	42 1/2	25	7
324TS	30 1/2	66 1/2	25 1/2	14 1/2	30	42 1/2	24 5/8	8
324T	30 1/2	66 1/2	25 1/2	14 1/2	30	42 1/2	26 1/8	8
326TS	30 1/2	66 1/2	25 1/2	14 1/2	30	42 1/2	26 1/8	8
326T	30 1/2	66 1/2	25 1/2	14 1/2	30	42 1/2	27 5/8	8
364TS	30 1/2	66 1/2	25 1/2	14 1/2	30	42 1/2	26 5/8	9 1/4
364T	30 1/2	66 1/2	25 1/2	14 1/2	30	42 1/2	28 3/4	9 1/4
365TS	30 1/2	66 1/2	25 1/2	14 1/2	30	42 1/2	27 5/8	9 1/4
365T	30 1/2	66 1/2	25 1/2	14 1/2	30	42 1/2	29 3/4	9 1/4
404TS	31 1/4	72 1/2	27 1/2	14 3/4	33	44 1/2	29 5/8	10 1/4

MOTOR FRAME	UNIT DIMENSIONS							
	BASE				MOTOR			
SIZE	HA	HB	HD	HE	HF	HO	C	T
404T	31 1/4	72 1/2	27 1/2	14 3/4	33	44 1/2	32 5/8	10 1/4
405TS	31 1/4	72 1/2	27 1/2	14 3/4	33	44 1/2	31 1/8	10 1/4
405T	31 1/4	72 1/2	27 1/2	14 3/4	33	44 1/2	34 1/8	10 1/4
444TS	31 1/4	72 1/2	27 1/2	14 3/4	33	44 1/2	34 1/8	11 1/4
444T	31 1/4	72 1/2	27 1/2	14 3/4	33	44 1/2	37 7/8	11 1/4
445TS	31 1/4	72 1/2	27 1/2	14 3/4	33	44 1/2	36 1/8	11 1/4
445T	31 1/4	84 1/2	27 1/2	14 3/4	39	44 1/2	39 7/8	11 1/4
447TS(5)	31 1/4	84 1/2	27 1/2	14 3/4	39	44 1/2	39 5/8	11 1/4
447T(5)	31 1/4	84 1/2	27 1/2	14 3/4	39	44 1/2	43 3/8	11 1/4
449TS(5)	31 1/4	84 1/2	27 1/2	14 3/4	39	44 1/2	44 5/8	11 1/4
449T(5)	31 1/4	84 1/2	27 1/2	14 3/4	39	44 1/2	48 1/4	11 1/4

CUSTOMER				P.O. NO.		
JOB NAME				TAG NAME		
PUMP SIZE AND MODEL		GPM	TDH	RPM	ROTATION	
MOTOR	HP	FRAME	PHASE	HERTZ	VOLTS	ENCLOSURE
CERTIFIED FOR			CERTIFIED BY		DATE	
SETTING PLAN 8" 5824 OPTIONAL STRUCTURAL BASE					DWG NO 5820S097	REV NO 0

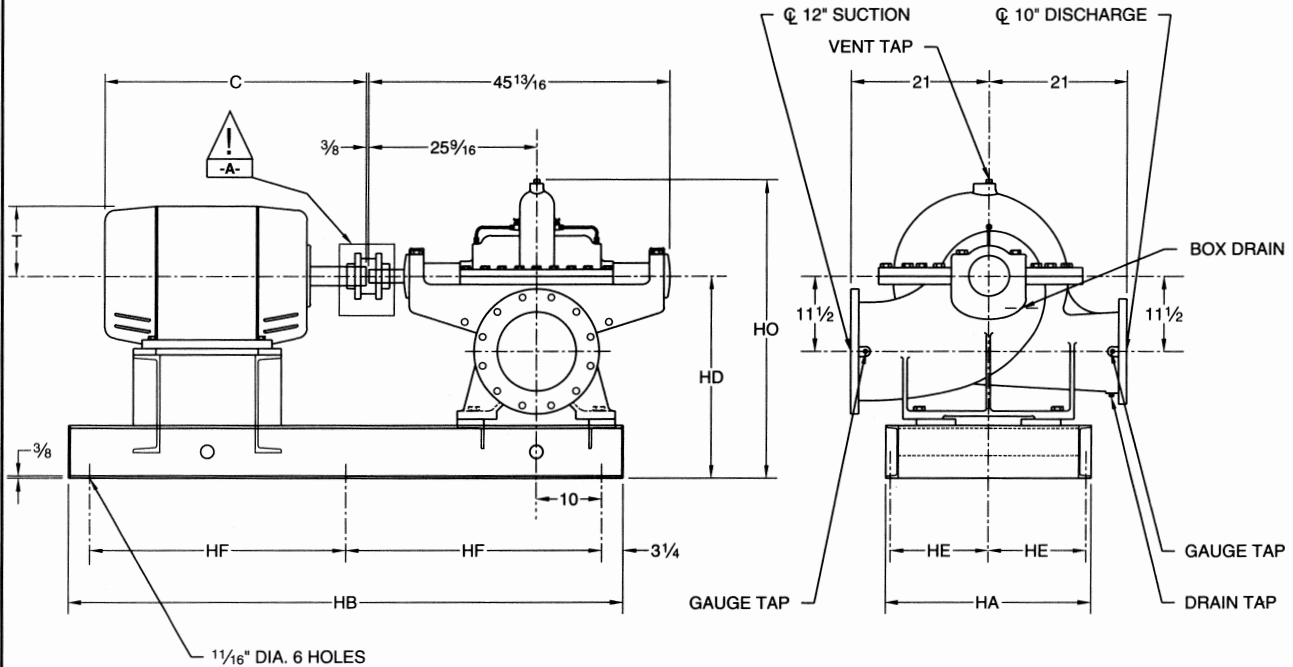
WARNING

DO NOT OPERATE THIS MACHINE WITHOUT PROTECTIVE GUARD IN PLACE. ANY OPERATION OF THIS MACHINE WITHOUT PROTECTIVE GUARD CAN RESULT IN SEVERE BODILY INJURY.

-A- SUPPLIED BY FMPC -B- SUPPLIED BY OTHERS

NOTES:

- (1) ALL FLANGES ARE STANDARD 125# ANSI DRILLING. OPTIONAL 250# ANSI FLANGES ARE AVAILABLE.
- (2) ALL DIMENSIONS ARE IN INCHES UNLESS NOTED.
- (3) ROTATION IS ALWAYS VIEWED FROM THE DRIVER END. FOR C.C.W. ROTATION, SUCTION AND DISCHARGE POSITIONS WILL BE ON OPPOSITE SIDES OF THAT SHOWN AND DIMENSIONS IN THE END VIEW WILL BE REVERSED.
- (4) BASES ARE DESIGNED TO BE COMPLETELY FILLED WITH GROUT.
- (5) STRUCTURAL STEEL BASES ARE STANDARD FOR MOTOR FRAMES ABOVE 445T.
- (6) NOT FOR CONSTRUCTION, INSTALLATION, OR APPLICATION PURPOSES UNLESS CERTIFIED. DIMENSIONS SHOWN MAY VARY DUE TO NORMAL MANUFACTURING TOLERANCES.



CLOCKWISE ROTATION SHOWN (3)

UNIT DIMENSIONS								
MOTOR FRAME SIZE	BASE						MOTOR	
	HA	HB	HD	HE	HF	HO	C	T
326TS	30 1/2	66 1/2	28 3/4	14 1/2	30	43 1/4	26 1/8	8
326T	30 1/2	66 1/2	28 3/4	14 1/2	30	43 1/4	27 5/8	8
364TS	30 1/2	66 1/2	28 3/4	14 1/2	30	43 1/4	26 5/8	9 1/4
364T	30 1/2	66 1/2	28 3/4	14 1/2	30	43 1/4	28 3/4	9 1/4
365TS	30 1/2	66 1/2	28 3/4	14 1/2	30	43 1/4	27 5/8	9 1/4
365T	30 1/2	66 1/2	28 3/4	14 1/2	30	43 1/4	29 3/4	9 1/4
404TS	31 1/4	72 1/2	30 3/4	14 3/4	33	45 1/4	29 5/8	10 1/4
404T	31 1/4	72 1/2	30 3/4	14 3/4	33	45 1/4	32 5/8	10 1/4
405TS	31 1/4	72 1/2	30 3/4	14 3/4	33	45 1/4	31 1/8	10 1/4


UNIT DIMENSIONS								
MOTOR FRAME SIZE	BASE						MOTOR	
	HA	HB	HD	HE	HF	HO	C	T
405T	31 1/4	72 1/2	30 3/4	14 3/4	33	45 1/4	34 1/8	10 1/4
444TS	31 1/4	72 1/2	30 3/4	14 3/4	33	45 1/4	34 1/8	11 1/4
444T	31 1/4	72 1/2	30 3/4	14 3/4	33	45 1/4	37 7/8	11 1/4
445TS	31 1/4	84 1/2	30 3/4	14 3/4	39	45 1/4	36 1/8	11 1/4
445T	31 1/4	84 1/2	30 3/4	14 3/4	39	45 1/4	39 7/8	11 1/4
447TS(5)	31 1/4	84 1/2	30 3/4	14 3/4	39	45 1/4	39 5/8	11 1/4
447T(5)	31 1/4	84 1/2	30 3/4	14 3/4	39	45 1/4	43 3/8	11 1/4
449TS(5)	31 1/4	84 1/2	30 3/4	14 3/4	39	45 1/4	44 5/8	11 1/4
449T(5)	31 1/4	84 1/2	30 3/4	14 3/4	39	45 1/4	48 1/4	11 1/4

CUSTOMER				P.O. NO.	
JOB NAME				TAG NAME	
PUMP SIZE AND MODEL		GPM	TDH	ROTATION	
MOTOR	HP	FRAME	PHASE	HERTZ	VOLTS
CERTIFIED FOR			CERTIFIED BY		DATE



SETTING PLAN
10" 5824
STRUCTURAL BASE

DWG NO **5820S099** REV NO **0**



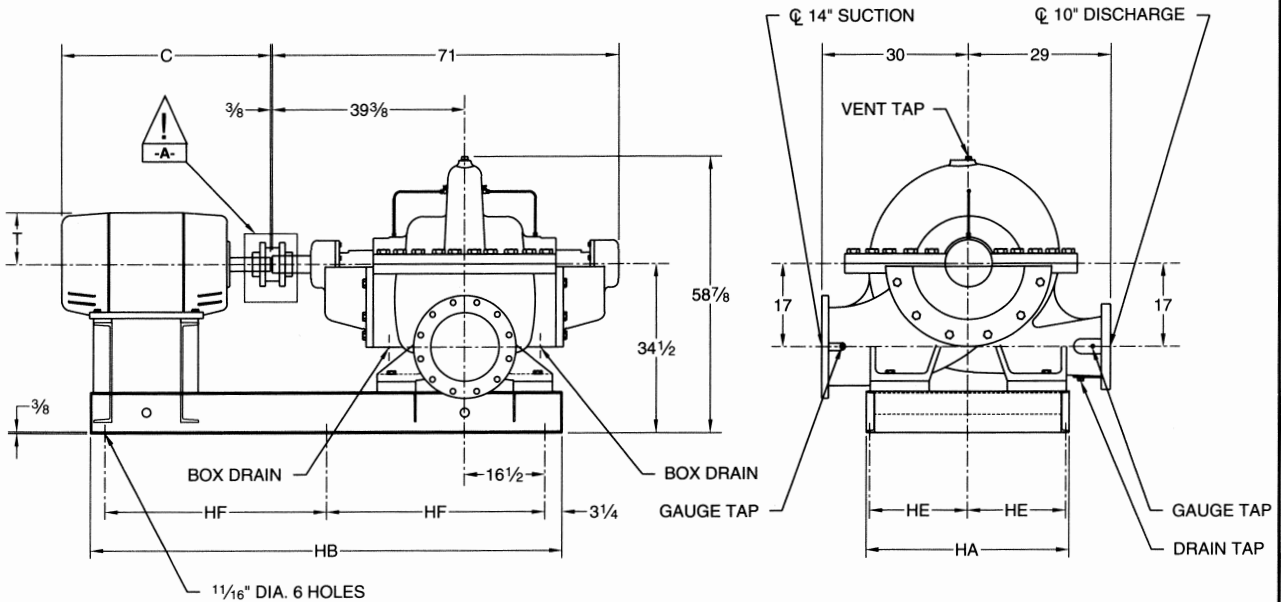
WARNING

DO NOT OPERATE THIS MACHINE WITHOUT PROTECTIVE GUARD IN PLACE. ANY OPERATION OF THIS MACHINE WITHOUT PROTECTIVE GUARD CAN RESULT IN SEVERE BODILY INJURY.

-A- SUPPLIED BY FMPC -B- SUPPLIED BY OTHERS

NOTES:

- (1) DISCHARGE FLANGES ARE STANDARD 250# ANSI DRILLING.
- (2) SUCTION FLANGES ARE STANDARD 125# ANSI DRILLING. OPTIONAL 250# ANSI FLANGES ARE AVAILABLE.
- (3) ALL DIMENSIONS ARE IN INCHES UNLESS NOTED.
- (4) ROTATION IS ALWAYS VIEWED FROM THE DRIVER END. FOR C.C.W. ROTATION, SUCTION AND DISCHARGE POSITIONS WILL BE ON OPPOSITE SIDES OF THAT SHOWN AND DIMENSIONS IN THE END VIEW WILL BE REVERSED.
- (5) DISCHARGE FLANGES ARE STANDARD 250# ANSI DRILLING.
- (6) BASES ARE DESIGNED TO BE COMPLETELY FILLED WITH GROUT.
- (7) NOT FOR CONSTRUCTION, INSTALLATION, OR APPLICATION PURPOSES UNLESS CERTIFIED. DIMENSIONS SHOWN MAY VARY DUE TO NORMAL MANUFACTURING TOLERANCES.




CLOCKWISE ROTATION SHOWN (3)

UNIT DIMENSIONS						
MOTOR FRAME SIZE	BASE				MOTOR	
	HA	HB	HE	HF	C	T
444TS	41 1/2	96 1/2	19 7/8	45	34 1/8	11 1/4
444T	41 1/2	96 1/2	19 7/8	45	37 7/8	11 1/4
445TS	41 1/2	96 1/2	19 7/8	45	36 1/8	11 1/4
445T	41 1/2	96 1/2	19 7/8	45	39 7/8	11 1/4
447TS	41 1/2	96 1/2	19 7/8	45	39 5/8	11 1/4

UNIT DIMENSIONS						
MOTOR FRAME SIZE	BASE				MOTOR	
	HA	HB	HE	HF	C	T
447T	41 1/2	96 1/2	19 7/8	45	43 1/4	11 1/4
449TS	41 1/2	96 1/2	19 7/8	45	44 5/8	11 1/4
449T	41 1/2	96 1/2	19 7/8	45	48 1/8	11 1/4

CONSULT FACTORY FOR LARGER MOTORS

CUSTOMER				P.O. NO.		
JOB NAME				TAG NAME		
PUMP SIZE AND MODEL		GPM	TDH	RPM	ROTATION	
MOTOR	HP	FRAME	PHASE	HERTZ	VOLTS	ENCLOSURE
CERTIFIED FOR			CERTIFIED BY		DATE	
					DWG NO	5820S101
					REV NO	1



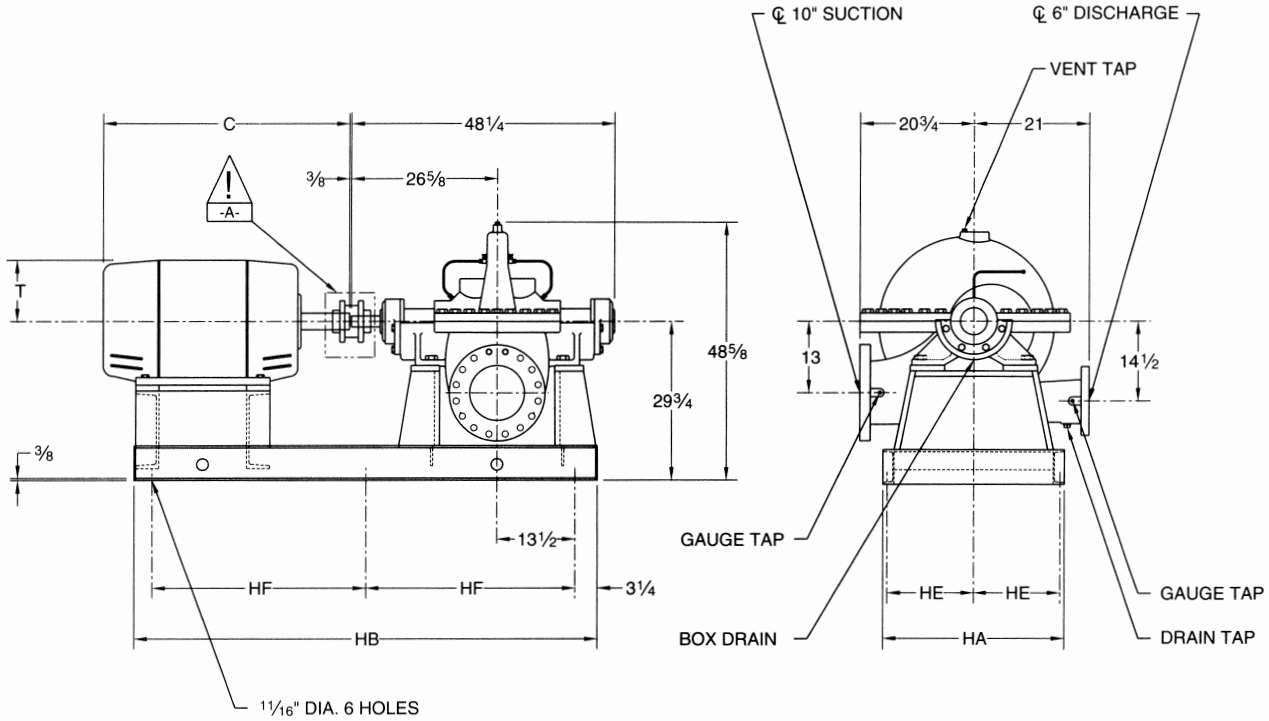
WARNING

DO NOT OPERATE THIS MACHINE WITHOUT PROTECTIVE GUARD IN PLACE. ANY OPERATION OF THIS MACHINE WITHOUT PROTECTIVE GUARD CAN RESULT IN SEVERE BODILY INJURY.

-A- SUPPLIED BY FMPC -B- SUPPLIED BY OTHERS

NOTES:

- (1) ALL FLANGES ARE 250# ANSI DRILLING UNLESS NOTED.
- (2) ALL DIMENSIONS ARE IN INCHES UNLESS NOTED.
- (3) ROTATION IS ALWAYS VIEWED FROM THE DRIVER END. FOR C.C.W. ROTATION, SUCTION AND DISCHARGE POSITIONS WILL BE ON OPPOSITE SIDES OF THAT SHOWN ABOVE AND DIMENSIONS IN THE END VIEW WILL BE REVERSED. BASES ARE DESIGNED TO BE COMPLETELY FILLED WITH GROUT.
- (4) NOT FOR CONSTRUCTION, INSTALLATION, OR APPLICATION PURPOSES UNLESS CERTIFIED. DIMENSIONS SHOWN MAY VARY DUE TO NORMAL MANUFACTURING TOLERANCES.



CLOCKWISE ROTATION SHOWN (3)

MOTOR FRAME SIZE	BASE				MOTOR	
	HA	HB	HE	HF	C	T
286TS	31 1/4	72 1/2	14 3/4	33	23 5/8	7
286T	31 1/4	72 1/2	14 3/4	33	25	7
324TS	31 1/4	72 1/2	14 3/4	33	24 5/8	7
324T	31 1/4	72 1/2	14 3/4	33	26 1/8	7
326TS	31 1/4	72 1/2	14 3/4	33	26 1/8	8
326T	31 1/4	72 1/2	14 3/4	33	27 5/8	8
364TS	31 1/4	72 1/2	14 3/4	33	26 5/8	9 1/4
364T	31 1/4	72 1/2	14 3/4	33	28 3/4	9 1/4
365TS	31 1/4	72 1/2	14 3/4	33	27 5/8	9 1/4
365T	31 1/4	72 1/2	14 3/4	33	29 3/4	9 1/4
404TS	31 1/4	72 1/2	14 3/4	33	29 5/8	10 1/4
404T	31 1/4	72 1/2	14 3/4	33	32 5/8	10 1/4

MOTOR FRAME SIZE	BASE				MOTOR	
	HA	HB	HE	HF	C	T
405TS	31 1/4	84 1/2	14 3/4	39	31 1/8	10 1/4
405T	31 1/4	84 1/2	14 3/4	39	34 1/8	10 1/4
444TS	31 1/4	84 1/2	14 3/4	39	34 1/8	11 1/4
444T	31 1/4	84 1/2	14 3/4	39	37 7/8	11 1/4
445TS	31 1/4	84 1/2	14 3/4	39	36 1/8	11 1/4
445T	31 1/4	84 1/2	14 3/4	39	39 7/8	11 1/4
447TS	31 1/4	84 1/2	14 3/4	39	39 5/8	11 1/4
447T	31 1/4	84 1/2	14 3/4	39	43 1/4	11 1/4
449TS	31 1/4	84 1/2	14 3/4	39	44 5/8	11 1/4
449T	31 1/4	84 1/2	14 3/4	39	48 1/8	11 1/4

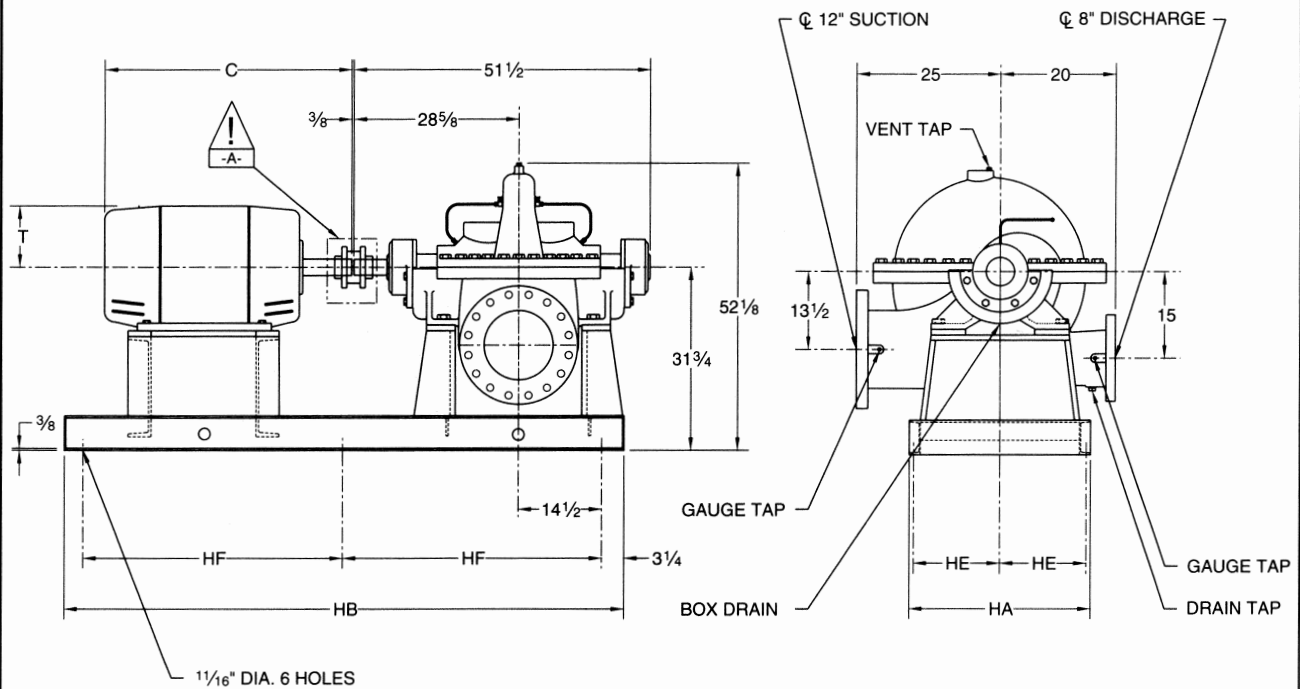
CONSULT FACTORY FOR LARGER MOTORS

CUSTOMER				P.O. NO.	
JOB NAME				TAG NAME	
PUMP SIZE AND MODEL		GPM	TDH	RPM	ROTATION
MOTOR	HP	FRAME	PHASE	HERTZ	VOLTS
CERTIFIED FOR			CERTIFIED BY		DATE
					SETTING PLAN 6" 5826 STRUCTURAL BASE
					DWG NO. 5820S103

WARNING
DO NOT OPERATE THIS MACHINE WITHOUT PROTECTIVE GUARD IN PLACE. ANY OPERATION OF THIS MACHINE WITHOUT PROTECTIVE GUARD CAN RESULT IN SEVERE BODILY INJURY.
-A- SUPPLIED BY FMPC -B- SUPPLIED BY OTHERS

NOTES:

- (1) ALL FLANGES ARE 250# ANSI DRILLING UNLESS NOTED.
- (2) ALL DIMENSIONS ARE IN INCHES UNLESS NOTED.
- (3) ROTATION IS ALWAYS VIEWED FROM THE DRIVER END. FOR C.C.W. ROTATION, SUCTION AND DISCHARGE POSITIONS WILL BE ON OPPOSITE SIDES OF THAT SHOWN ABOVE AND DIMENSIONS IN THE END VIEW WILL BE REVERSED.
- (4) BASES ARE DESIGNED TO BE COMPLETELY FILLED WITH GROUT.
- (5) NOT FOR CONSTRUCTION, INSTALLATION, OR APPLICATION PURPOSES UNLESS CERTIFIED. DIMENSIONS SHOWN MAY VARY DUE TO NORMAL MANUFACTURING TOLERANCES.



CLOCKWISE ROTATION SHOWN (3)

MOTOR FRAME SIZE	UNIT DIMENSIONS BASE				MOTOR	
	HA	HB	HE	HF	C	T
326TS	31 1/4	72 1/2	14 3/4	33	26 1/8	8
326T	31 1/4	72 1/2	14 3/4	33	27 5/8	8
364TS	31 1/4	72 1/2	14 3/4	33	26 5/8	9 1/4
364T	31 1/4	72 1/2	14 3/4	33	28 3/4	9 1/4
365TS	31 1/4	84 1/2	14 3/4	39	27 5/8	9 1/4
365T	31 1/4	84 1/2	14 3/4	39	29 3/4	9 1/4
404TS	31 1/4	84 1/2	14 3/4	39	29 5/8	10 1/4
404T	31 1/4	84 1/2	14 3/4	39	32 5/8	10 1/4
405TS	31 1/4	84 1/2	14 3/4	39	31 1/8	10 1/4
405T	31 1/4	84 1/2	14 3/4	39	34 1/8	10 1/4

MOTOR FRAME SIZE	UNIT DIMENSIONS BASE				MOTOR	
	HA	HB	HE	HF	C	T
444TS	31 1/4	84 1/2	14 3/4	39	34 1/8	11 1/4
444T	31 1/4	84 1/2	14 3/4	39	37 7/8	11 1/4
445TS	31 1/4	84 1/2	14 3/4	39	36 1/8	11 1/4
445T	31 1/4	84 1/2	14 3/4	39	39 7/8	11 1/4
447TS	31 1/4	84 1/2	14 3/4	39	39 5/8	11 1/4
447T	31 1/4	96 1/2	14 3/4	45	43 1/4	11 1/4
449TS	31 1/4	96 1/2	14 3/4	45	44 5/8	11 1/4
449T	31 1/4	96 1/2	14 3/4	45	48 1/8	11 1/4

CONSULT FACTORY FOR LARGER MOTORS

CUSTOMER				P.O. NO.		
JOB NAME				TAG NAME		
PUMP SIZE AND MODEL		GPM	TDH	RPM	ROTATION	
MOTOR	HP	FRAME	PHASE	HERTZ	VOLTS	ENCLOSURE
CERTIFIED FOR			CERTIFIED BY		DATE	
					DWG NO	5820S105
					REV NO	0

SETTING PLAN
8" 5826
STRUCTURAL BASE

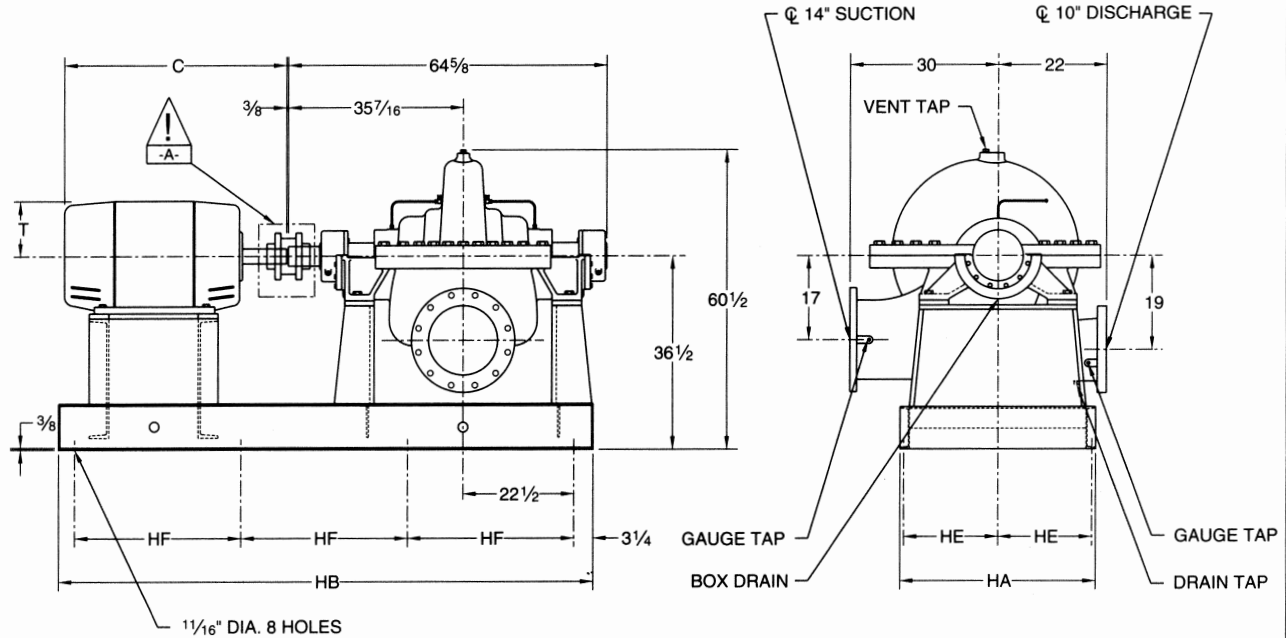
WARNING

DO NOT OPERATE THIS MACHINE WITHOUT PROTECTIVE GUARD IN PLACE. ANY OPERATION OF THIS MACHINE WITHOUT PROTECTIVE GUARD CAN RESULT IN SEVERE BODILY INJURY.

-A- SUPPLIED BY FMPC -B- SUPPLIED BY OTHERS

NOTES:

- (1) ALL FLANGES ARE 250# ANSI DRILLING UNLESS NOTED.
- (2) ALL DIMENSIONS ARE IN INCHES UNLESS NOTED.
- (3) ROTATION IS ALWAYS VIEWED FROM THE DRIVER END. FOR C.C.W. ROTATION, SUCTION AND DISCHARGE POSITIONS WILL BE ON OPPOSITE SIDES OF THAT SHOWN ABOVE AND DIMENSIONS IN THE END VIEW WILL BE REVERSED.
- (4) SUCTION FLANGE IS 125# ANSI DRILLING.
- (5) BASES ARE DESIGNED TO BE COMPLETELY FILLED WITH GROUT.
- (6) NOT FOR CONSTRUCTION, INSTALLATION, OR APPLICATION PURPOSES UNLESS CERTIFIED. DIMENSIONS SHOWN MAY VARY DUE TO NORMAL MANUFACTURING TOLERANCES.



CLOCKWISE ROTATION SHOWN (3)

UNIT DIMENSIONS						
MOTOR FRAME	BASE				MOTOR	
SIZE	HA	HB	HE	HF	C	T
447TS	39 1/2	108 1/2	18 7/8	34	39 5/8	11 1/4
447T	39 1/2	108 1/2	18 7/8	34	43 1/4	11 1/4
449TS	39 1/2	108 1/2	18 7/8	34	44 5/8	11 1/4
449T	39 1/2	108 1/2	18 7/8	34	48 1/8	11 1/4

UNIT DIMENSIONS						
MOTOR FRAME	BASE				MOTOR	
SIZE	HA	HB	HE	HF	C	T
CONSULT FACTORY FOR LARGER MOTORS						

CUSTOMER				P.O. NO.		
JOB NAME				TAG NAME		
PUMP SIZE AND MODEL		GPM	TDH	RPM	ROTATION	
MOTOR	HP	FRAME	PHASE	HERTZ	VOLTS	ENCLOSURE
CERTIFIED FOR			CERTIFIED BY		DATE	SETTING PLAN 10" 5826 STRUCTURAL BASE
DWG NO 5820S107 REV NO 0						

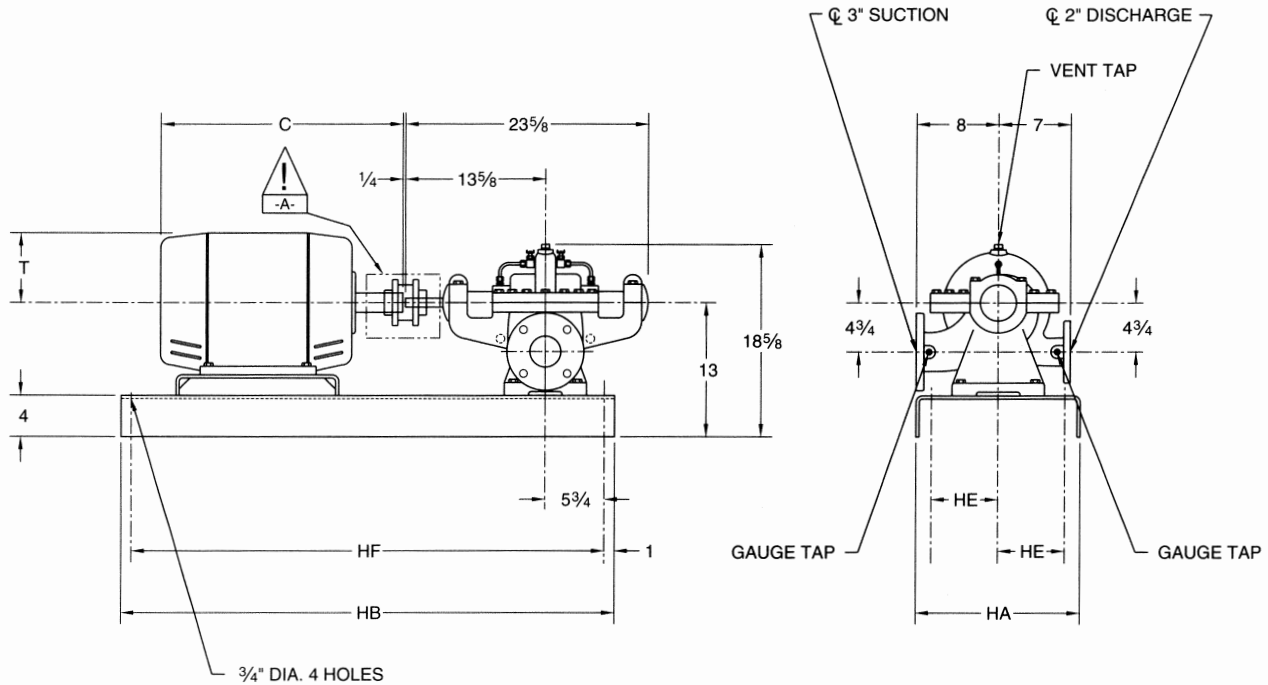
WARNING

DO NOT OPERATE THIS MACHINE WITHOUT PROTECTIVE GUARD IN PLACE. ANY OPERATION OF THIS MACHINE WITHOUT PROTECTIVE GUARD CAN RESULT IN SEVERE BODILY INJURY.

-A- SUPPLIED BY FMPC -B- SUPPLIED BY OTHERS

NOTES:

- (1) ALL FLANGES ARE STANDARD 125# ANSI DRILLING. OPTIONAL 250# ANSI FLANGES ARE AVAILABLE.
- (2) ALL DIMENSIONS ARE IN INCHES UNLESS NOTED.
- (3) ROTATION IS ALWAYS VIEWED FROM THE DRIVER END. FOR C.C.W. ROTATION, SUCTION AND DISCHARGE POSITIONS WILL BE ON OPPOSITE SIDES OF THAT SHOWN ABOVE AND DIMENSIONS IN THE END VIEW WILL BE REVERSED.
- (4) BASES ARE DESIGNED TO BE COMPLETELY FILLED WITH GROUT.
- (5) NOT FOR CONSTRUCTION, INSTALLATION, OR APPLICATION PURPOSES UNLESS CERTIFIED. DIMENSIONS SHOWN MAY VARY DUE TO NORMAL MANUFACTURING TOLERANCES.




CLOCKWISE ROTATION SHOWN (3)

UNIT DIMENSIONS						
MOTOR FRAME SIZE	BASE			MOTOR		
	HA	HB	HE	HF	C	T
143T	16	42	6 1/2	40	11 5/8	3 5/8
145T	16	42	6 1/2	40	12 5/8	3 5/8
182T	16	42	6 1/2	40	13 3/4	4 3/4
184T	16	42	6 1/2	40	14 3/4	4 3/4
213T	16	42	6 1/2	40	16	5 1/8

UNIT DIMENSIONS						
MOTOR FRAME SIZE	BASE			MOTOR		
	HA	HB	HE	HF	C	T
215T	16	42	6 1/2	40	17 1/2	5 1/8
254T	16	48	6 1/2	46	20 5/8	6 3/8
256T	16	48	6 1/2	46	22 3/8	6 3/8
284TS	16	48	6 1/2	46	22 1/8	7
284T	16	48	6 1/2	46	23 1/2	7

CUSTOMER				P.O. NO.		
JOB NAME				TAG NAME		
PUMP SIZE AND MODEL		GPM	TDH	RPM	ROTATION	
MOTOR	HP	FRAME	PHASE	HERTZ	VOLTS	ENCLOSURE
CERTIFIED FOR			CERTIFIED BY		DATE	
					DWG NO	5870S021
					REV NO	0

SETTING PLAN
2" 5874A
BENT FORM BASE



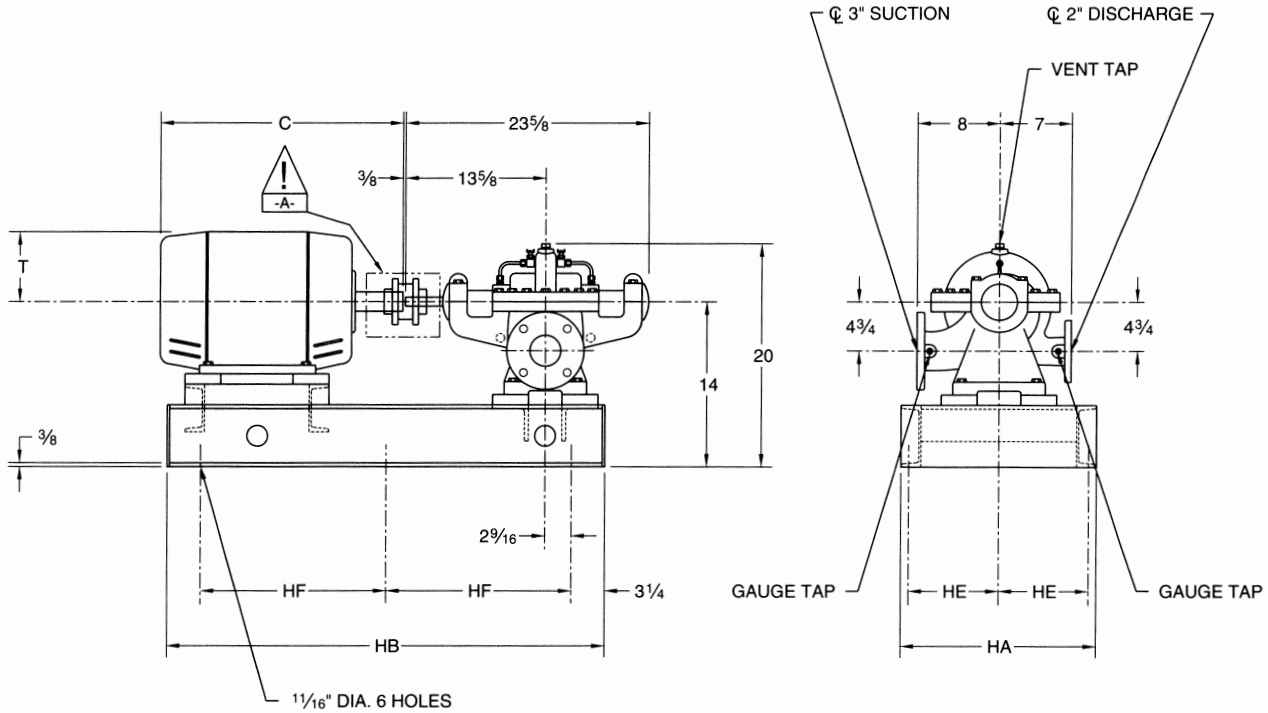
WARNING

DO NOT OPERATE THIS MACHINE WITHOUT PROTECTIVE GUARD IN PLACE. ANY OPERATION OF THIS MACHINE WITHOUT PROTECTIVE GUARD CAN RESULT IN SEVERE BODILY INJURY.

-A- SUPPLIED BY FMPC -B- SUPPLIED BY OTHERS

NOTES:


- (1) ALL FLANGES ARE STANDARD 125# ANSI DRILLING. OPTIONAL 250# ANSI FLANGES ARE AVAILABLE.
- (2) ALL DIMENSIONS ARE IN INCHES UNLESS NOTED.
- (3) ROTATION IS ALWAYS VIEWED FROM THE DRIVER END. FOR C.C.W. ROTATION, SUCTION AND DISCHARGE POSITIONS WILL BE ON OPPOSITE SIDES OF THAT SHOWN ABOVE AND DIMENSIONS IN THE END VIEW WILL BE REVERSED.
- (4) BASES ARE DESIGNED TO BE COMPLETELY FILLED WITH GROUT.
- (5) NOT FOR CONSTRUCTION, INSTALLATION, OR APPLICATION PURPOSES UNLESS CERTIFIED. DIMENSIONS SHOWN MAY VARY DUE TO NORMAL MANUFACTURING TOLERANCES.



CLOCKWISE ROTATION SHOWN (3)

UNIT DIMENSIONS						
MOTOR FRAME SIZE	BASE				MOTOR	
	HA	HB	HE	HF	C	T
143T	22 1/4	36 1/2	10 1/2	15	11 5/8	3 5/8
145T	22 1/4	36 1/2	10 1/2	15	12 5/8	3 5/8
182T	22 1/4	36 1/2	10 1/2	15	13 3/4	4 3/4
184T	22 1/4	36 1/2	10 1/2	15	14 3/4	4 3/4
213T	22 1/4	36 1/2	10 1/2	15	16	5 1/8

UNIT DIMENSIONS						
MOTOR FRAME SIZE	BASE				MOTOR	
	HA	HB	HE	HF	C	T
215T	22 1/4	36 1/2	10 1/2	15	17 1/2	5 1/8
254T	22 1/4	42 1/2	10 1/2	18	20 5/8	6 3/8
256T	22 1/4	42 1/2	10 1/2	18	22 3/8	6 3/8
284TS	22 1/4	42 1/2	10 1/2	18	22 1/8	7
284T	22 1/4	42 1/2	10 1/2	18	23 1/2	7

CUSTOMER				P.O. NO.		
JOB NAME				TAG NAME		
PUMP SIZE AND MODEL		GPM	TDH	RPM	ROTATION	
MOTOR	HP	FRAME	PHASE	HERTZ	VOLTS	ENCLOSURE
CERTIFIED FOR			CERTIFIED BY		DATE	
					DWG NO	REV NO
					5870S023	0

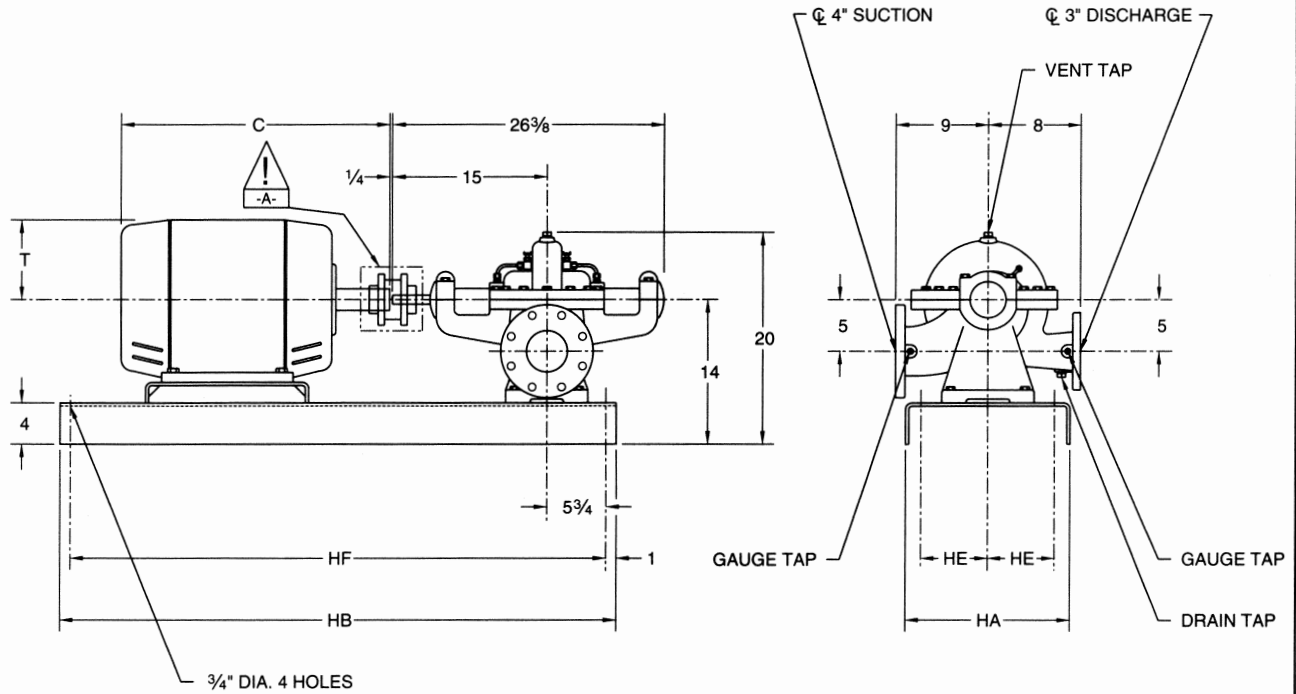
WARNING

DO NOT OPERATE THIS MACHINE WITHOUT PROTECTIVE GUARD IN PLACE. ANY OPERATION OF THIS MACHINE WITHOUT PROTECTIVE GUARD CAN RESULT IN SEVERE BODILY INJURY.

-A- SUPPLIED BY FMPC -B- SUPPLIED BY OTHERS

NOTES:

- (1) ALL FLANGES ARE STANDARD 125# ANSI DRILLING. OPTIONAL 250# ANSI FLANGES ARE AVAILABLE.
- (2) ALL DIMENSIONS ARE IN INCHES UNLESS NOTED.
- (3) ROTATION IS ALWAYS VIEWED FROM THE DRIVER END. FOR C.C.W. ROTATION, SUCTION AND DISCHARGE POSITIONS WILL BE ON OPPOSITE SIDES OF THAT SHOWN ABOVE AND DIMENSIONS IN THE END VIEW WILL BE REVERSED.
- (4) BASES ARE DESIGNED TO BE COMPLETELY FILLED WITH GROUT.
- (5) NOT FOR CONSTRUCTION, INSTALLATION, OR APPLICATION PURPOSES UNLESS CERTIFIED. DIMENSIONS SHOWN MAY VARY DUE TO NORMAL MANUFACTURING TOLERANCES.




CLOCKWISE ROTATION SHOWN (3)

MOTOR FRAME SIZE	BASE				MOTOR	
	HA	HB	HE	HF	C	T
145T	16	42	6 1/2	40	12 5/8	3 5/8
182T	16	42	6 1/2	40	13 3/4	4 3/4
184T	16	42	6 1/2	40	14 3/4	4 3/4
213T	16	42	6 1/2	40	16	5 1/8
215T	16	42	6 1/2	40	17 1/2	5 1/8
254T	16	48	6 1/2	46	20 5/8	6 3/8
256T	16	48	6 1/2	46	22 3/8	6 3/8

MOTOR FRAME SIZE	BASE				MOTOR	
	HA	HB	HE	HF	C	T
284TS	16	48	6 1/2	46	22 1/8	7
284T	16	48	6 1/2	46	23 1/2	7
286TS	16	48	6 1/2	46	23 5/8	7
286T	16	48	6 1/2	46	25	7
324TS	18	54	7 1/2	52	24 5/8	8
324T	18	54	7 1/2	52	26 1/8	8

CUSTOMER				P.O. NO.			
JOB NAME				TAG NAME			
PUMP SIZE AND MODEL		GPM	TDH	RPM	ROTATION		
MOTOR	HP	FRAME	PHASE	HERTZ	VOLTS	ENCLOSURE	
CERTIFIED FOR			CERTIFIED BY		DATE		
					DWG NO	5870S025	REV NO 0

SETTING PLAN
3" 5874A
BENT FORM BASE



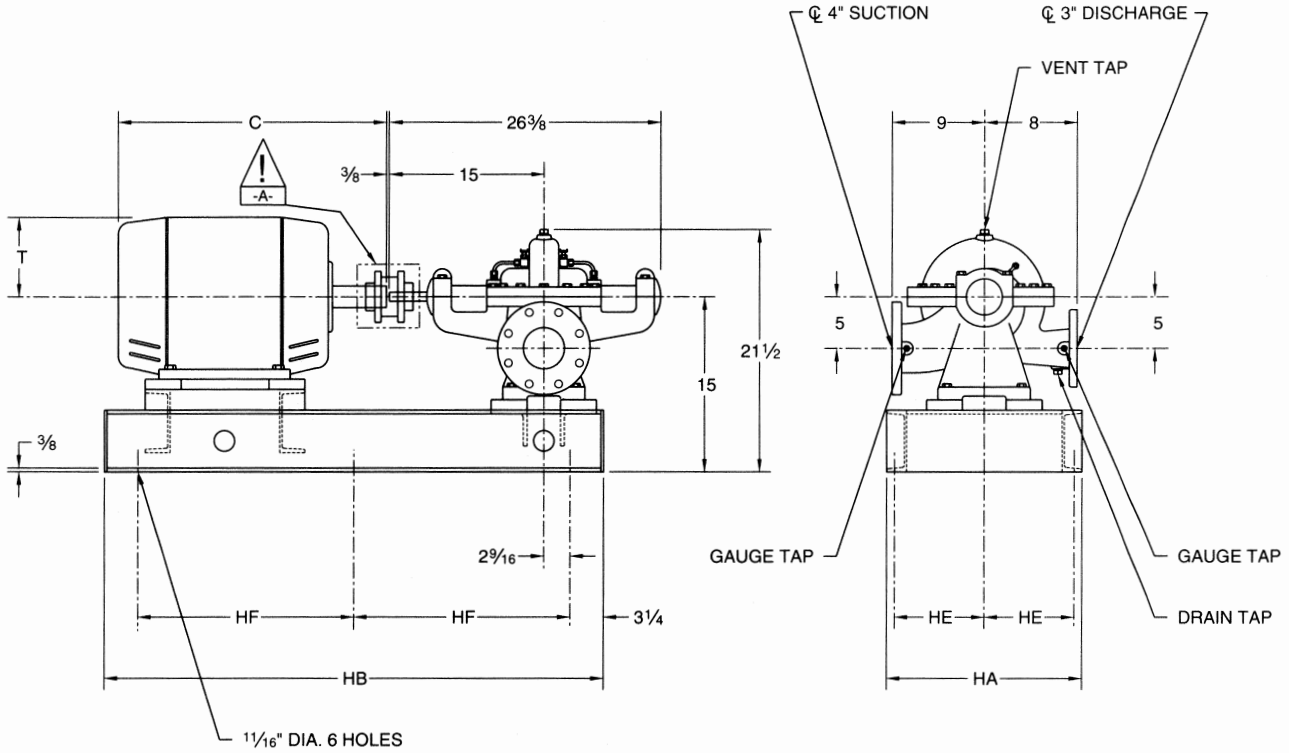
WARNING

DO NOT OPERATE THIS MACHINE WITHOUT PROTECTIVE GUARD IN PLACE. ANY OPERATION OF THIS MACHINE WITHOUT PROTECTIVE GUARD CAN RESULT IN SEVERE BODILY INJURY.

-A- SUPPLIED BY FMPC -B- SUPPLIED BY OTHERS

NOTES:


- (1) ALL FLANGES ARE STANDARD 125# ANSI DRILLING. OPTIONAL 250# ANSI FLANGES ARE AVAILABLE.
- (2) ALL DIMENSIONS ARE IN INCHES UNLESS NOTED.
- (3) ROTATION IS ALWAYS VIEWED FROM THE DRIVER END. FOR C.C.W. ROTATION, SUCTION AND DISCHARGE POSITIONS WILL BE ON OPPOSITE SIDES OF THAT SHOWN ABOVE AND DIMENSIONS IN THE END VIEW WILL BE REVERSED.
- (4) BASES ARE DESIGNED TO BE COMPLETELY FILLED WITH GROUT.
- (5) NOT FOR CONSTRUCTION, INSTALLATION, OR APPLICATION PURPOSES UNLESS CERTIFIED. DIMENSIONS SHOWN MAY VARY DUE TO NORMAL MANUFACTURING TOLERANCES.



CLOCKWISE ROTATION SHOWN (3)

MOTOR FRAME SIZE	BASE				MOTOR	
	HA	HB	HE	HF	C	T
145T	22 1/4	36 1/2	10 1/2	15	12 5/8	3 3/8
182T	22 1/4	36 1/2	10 1/2	15	13 3/4	4 3/4
184T	22 1/4	36 1/2	10 1/2	15	14 3/4	4 3/4
213T	22 1/4	36 1/2	10 1/2	15	16	5 1/8
215T	22 1/4	42 1/2	10 1/2	18	17 1/2	5 1/8
254T	22 1/4	42 1/2	10 1/2	18	20 5/8	6 3/8
256T	22 1/4	42 1/2	10 1/2	18	22 3/8	6 3/8

MOTOR FRAME SIZE	BASE				MOTOR	
	HA	HB	HE	HF	C	T
284TS	22 1/4	42 1/2	10 1/2	18	22 1/8	7
284T	22 1/4	42 1/2	10 1/2	18	23 1/2	7
286TS	22 1/4	48 1/2	10 1/2	21	23 3/8	7
286T	22 1/4	48 1/2	10 1/2	21	25	7
324TS	22 1/4	48 1/2	10 1/2	21	24 5/8	8
324T	22 1/4	48 1/2	10 1/2	21	26 1/8	8

CUSTOMER				P.O. NO.		
JOB NAME				TAG NAME		
PUMP SIZE AND MODEL		GPM	TDH	RPM	ROTATION	
MOTOR	HP	FRAME	PHASE	HERTZ	VOLTS	ENCLOSURE
CERTIFIED FOR			CERTIFIED BY		DATE	
					SETTING PLAN 3" 5874A OPTIONAL STRUCTURAL BASE	DWG NO 5870S027 REV NO 0

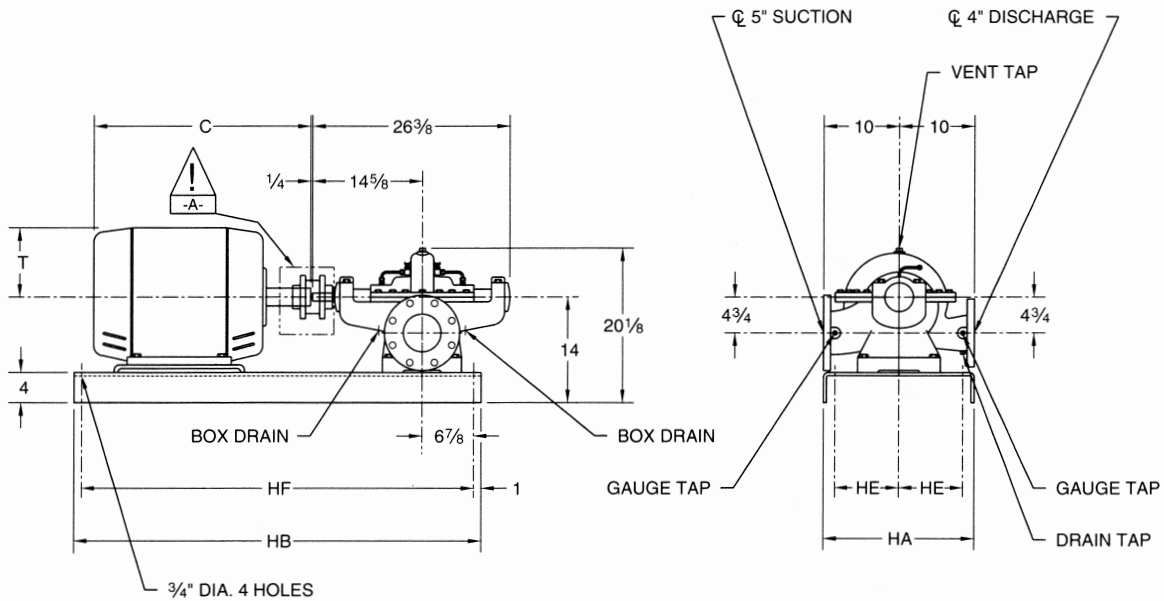
WARNING

DO NOT OPERATE THIS MACHINE WITHOUT PROTECTIVE GUARD IN PLACE. ANY OPERATION OF THIS MACHINE WITHOUT PROTECTIVE GUARD CAN RESULT IN SEVERE BODILY INJURY.

-A- SUPPLIED BY FMPC -B- SUPPLIED BY OTHERS

NOTES:

- (1) ALL FLANGES ARE STANDARD 125# ANSI DRILLING. OPTIONAL 250# ANSI FLANGES ARE AVAILABLE.
- (2) ALL DIMENSIONS ARE IN INCHES UNLESS NOTED.
- (3) ROTATION IS ALWAYS VIEWED FROM THE DRIVER END. FOR C.C.W. ROTATION, SUCTION AND DISCHARGE POSITIONS WILL BE ON OPPOSITE SIDES OF THAT SHOWN ABOVE AND DIMENSIONS IN THE END VIEW WILL BE REVERSED.
- (4) BASES ARE DESIGNED TO BE COMPLETELY FILLED WITH GROUT.
- (5) NOT FOR CONSTRUCTION, INSTALLATION, OR APPLICATION PURPOSES UNLESS CERTIFIED. DIMENSIONS SHOWN MAY VARY DUE TO NORMAL MANUFACTURING TOLERANCES.



CLOCKWISE ROTATION SHOWN (3)

UNIT DIMENSIONS						
MOTOR FRAME	BASE				MOTOR	
SIZE	HA	HB	HE	HF	C	T
145T	16	42	6 1/2	40	12 5/8	3 5/8
182T	16	42	6 1/2	40	13 3/4	4 3/4
184T	16	42	6 1/2	40	14 3/4	4 3/4
213T	16	42	6 1/2	40	16	5 1/8
215T	16	42	6 1/2	40	17 1/2	5 1/8
254T	16	48	6 1/2	46	20 5/8	6 3/8
256T	16	48	6 1/2	46	22 3/8	6 3/8
284TS	16	48	6 1/2	46	22 1/8	7
284T	16	48	6 1/2	46	23 1/2	7

UNIT DIMENSIONS						
MOTOR FRAME	BASE				MOTOR	
SIZE	HA	HB	HE	HF	C	T
286TS	16	48	6 1/2	46	23 3/8	7
286T	16	48	6 1/2	46	25	7
324TS	18	54	7 1/2	52	24 3/8	8
324T	18	54	7 1/2	52	26 1/8	8
326TS	18	54	7 1/2	52	26 1/8	8
326T	18	54	7 1/2	52	27 5/8	8
364TS	20	54	8 1/2	52	26 5/8	9 1/4
364T	20	54	8 1/2	52	28 3/4	9 1/4

CUSTOMER				P.O. NO.		
JOB NAME				TAG NAME		
PUMP SIZE AND MODEL		GPM	TDH	RPM	ROTATION	
MOTOR	HP	FRAME	PHASE	HERTZ	VOLTS	ENCLOSURE
CERTIFIED FOR			CERTIFIED BY		DATE	
					DWG NO	5870S029
					REV NO	0

SETTING PLAN
4" 5874A
BENT FORM BASE

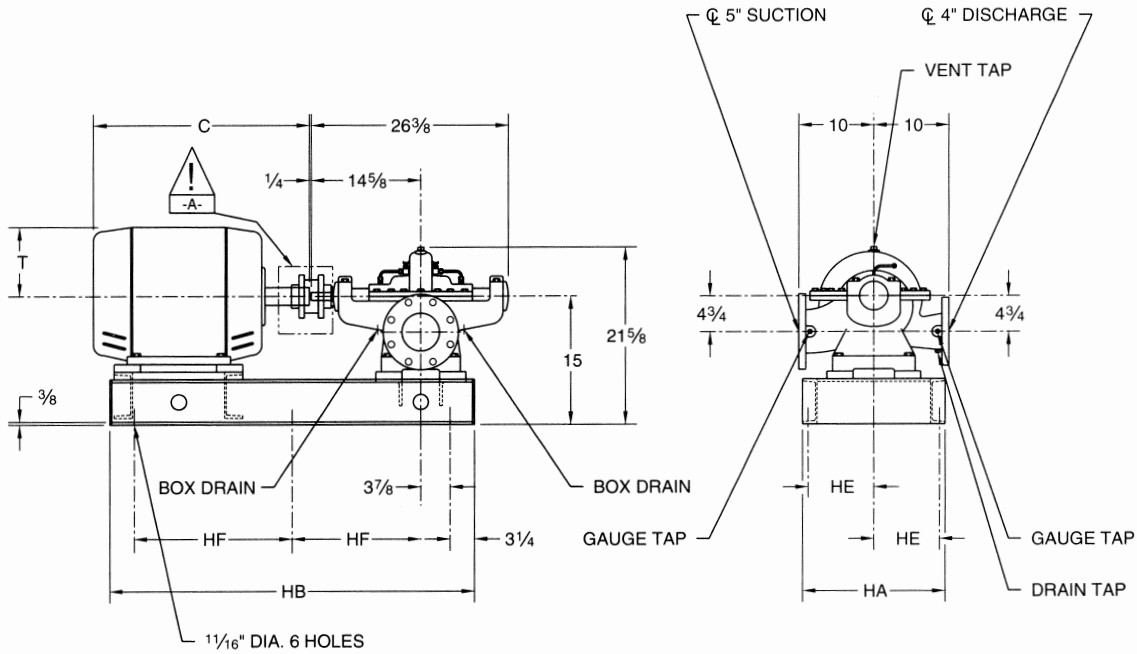
WARNING

DO NOT OPERATE THIS MACHINE WITHOUT PROTECTIVE GUARD IN PLACE. ANY OPERATION OF THIS MACHINE WITHOUT PROTECTIVE GUARD CAN RESULT IN SEVERE BODILY INJURY.

-A- SUPPLIED BY FMPC -B- SUPPLIED BY OTHERS

NOTES:

- (1) ALL FLANGES ARE STANDARD 125# ANSI DRILLING. OPTIONAL 250# ANSI FLANGES ARE AVAILABLE.
- (2) ALL DIMENSIONS ARE IN INCHES UNLESS NOTED.
- (3) ROTATION IS ALWAYS VIEWED FROM THE DRIVER END. FOR C.C.W. ROTATION, SUCTION AND DISCHARGE POSITIONS WILL BE ON OPPOSITE SIDES OF THAT SHOWN ABOVE AND DIMENSIONS IN THE END VIEW WILL BE REVERSED.
- (4) BASES ARE DESIGNED TO BE COMPLETELY FILLED WITH GROUT.
- (5) NOT FOR CONSTRUCTION, INSTALLATION, OR APPLICATION PURPOSES UNLESS CERTIFIED. DIMENSIONS SHOWN MAY VARY DUE TO NORMAL MANUFACTURING TOLERANCES.



CLOCKWISE ROTATION SHOWN (3)

UNIT DIMENSIONS						
MOTOR FRAME SIZE	BASE				MOTOR	
	HA	HB	HE	HF	C	T
145T	22 1/4	36 1/2	10 1/2	15	12 5/8	3 5/8
182T	22 1/4	36 1/2	10 1/2	15	13 3/4	4 3/4
184T	22 1/4	36 1/2	10 1/2	15	14 3/4	4 3/4
213T	22 1/4	36 1/2	10 1/2	15	16	5 1/8
215T	22 1/4	42 1/2	10 1/2	18	17 1/2	5 1/8
254T	22 1/4	42 1/2	10 1/2	18	20 5/8	6 3/8
256T	22 1/4	42 1/2	10 1/2	18	22 3/8	6 3/8
284TS	22 1/4	42 1/2	10 1/2	18	22 1/8	7
284T	22 1/4	42 1/2	10 1/2	18	23 1/2	7

UNIT DIMENSIONS						
MOTOR FRAME SIZE	BASE				MOTOR	
	HA	HB	HE	HF	C	T
286TS	22 1/4	48 1/2	10 1/2	21	23 5/8	7
286T	22 1/4	48 1/2	10 1/2	21	25	7
324TS	22 1/4	48 1/2	10 1/2	21	24 5/8	8
324T	22 1/4	48 1/2	10 1/2	21	26 1/8	8
326TS	22 1/4	48 1/2	10 1/2	21	26 1/8	8
326T	22 1/4	48 1/2	10 1/2	21	27 5/8	8
364TS	22 1/4	48 1/2	10 1/2	21	26 5/8	9 1/4
364T	22 1/4	48 1/2	10 1/2	21	28 3/4	9 1/4

CUSTOMER				P.O. NO.	
JOB NAME				TAG NAME	
PUMP SIZE AND MODEL		GPM	TDH	RPM	ROTATION
MOTOR	HP	FRAME	PHASE	HERTZ	VOLTS
ENCLOSURE		CERTIFIED FOR		CERTIFIED BY	DATE

SETTING PLAN
4" 5874A
OPTIONAL
STRUCTURAL BASE

DWG NO. **5870S031** REV NO. **0**

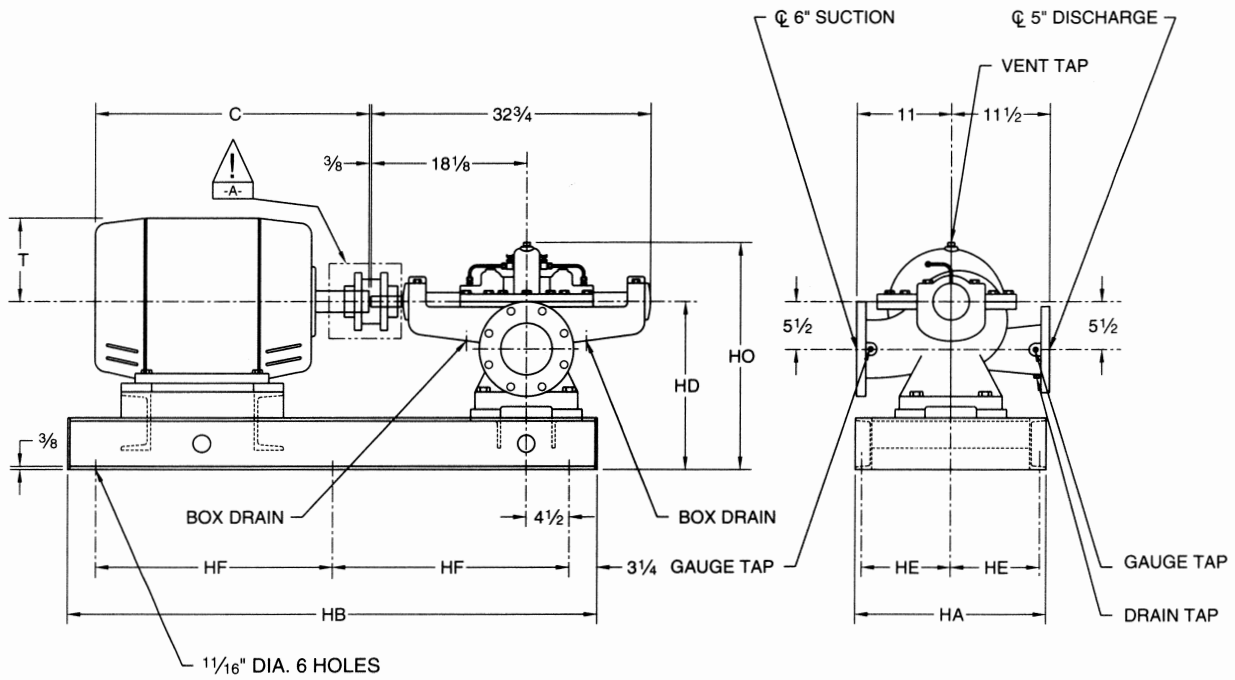
WARNING

DO NOT OPERATE THIS MACHINE WITHOUT PROTECTIVE GUARD IN PLACE. ANY OPERATION OF THIS MACHINE WITHOUT PROTECTIVE GUARD CAN RESULT IN SEVERE BODILY INJURY.

-A- SUPPLIED BY FMPC -B- SUPPLIED BY OTHERS

NOTES:

- (1) ALL FLANGES ARE STANDARD 125# ANSI DRILLING. OPTIONAL 250# ANSI FLANGES ARE AVAILABLE.
- (2) ALL DIMENSIONS ARE IN INCHES UNLESS NOTED.
- (3) ROTATION IS ALWAYS VIEWED FROM THE DRIVER END. FOR C.C.W. ROTATION, SUCTION AND DISCHARGE POSITIONS WILL BE ON OPPOSITE SIDES OF THAT SHOWN ABOVE AND DIMENSIONS IN THE END VIEW WILL BE REVERSED.
- (4) BASES ARE DESIGNED TO BE COMPLETELY FILLED WITH GROUT.
- (5) NOT FOR CONSTRUCTION, INSTALLATION, OR APPLICATION PURPOSES UNLESS CERTIFIED. DIMENSIONS SHOWN MAY VARY DUE TO NORMAL MANUFACTURING TOLERANCES.




CLOCKWISE ROTATION SHOWN (3)

MOTOR FRAME	UNIT DIMENSIONS							C	T
	HA	HB	HD	HE	HF	HO			
184T	22 1/4	42 1/2	17 1/2	10 1/2	18	24 1/2	14 3/4	4 3/4	
213T	22 1/4	42 1/2	17 1/2	10 1/2	18	24 1/2	16	5 1/8	
215T	22 1/4	42 1/2	17 1/2	10 1/2	18	24 1/2	17 1/2	5 1/8	
254T	22 1/4	48 1/2	17 1/2	10 1/2	21	24 1/2	20 5/8	6 3/8	
256T	22 1/4	48 1/2	17 1/2	10 1/2	21	24 1/2	22 3/8	6 3/8	
284TS	22 1/4	48 1/2	17 1/2	10 1/2	21	24 1/2	22 1/8	7	
284T	22 1/4	48 1/2	17 1/2	10 1/2	21	24 1/2	23 1/2	7	
286TS	22 1/4	48 1/2	17 1/2	10 1/2	21	24 1/2	23 3/8	7	
286T	22 1/4	48 1/2	17 1/2	10 1/2	21	24 1/2	25	7	

MOTOR FRAME	UNIT DIMENSIONS							C	T
	HA	HB	HD	HE	HF	HO			
324TS	22 1/4	48 1/2	17 1/2	10 1/2	21	24 1/2	24 5/8	8	
324T	22 1/4	54 1/2	17 1/2	10 1/2	21	24 1/2	26 1/8	8	
326TS	22 3/4	54 1/2	19 1/2	10 5/8	24	26 1/2	26 1/8	8	
326T	22 3/4	54 1/2	19 1/2	10 5/8	24	26 1/2	27 5/8	8	
364TS	22 3/4	54 1/2	19 1/2	10 5/8	24	26 1/2	26 3/8	9 1/4	
364T	22 3/4	54 1/2	19 1/2	10 5/8	24	26 1/2	28 3/4	9 1/4	
365TS	22 3/4	54 1/2	19 1/2	10 5/8	24	26 1/2	27 5/8	9 1/4	
365T	22 3/4	54 1/2	19 1/2	10 5/8	24	26 1/2	29 3/4	9 1/4	

CUSTOMER				P.O. NO.			
JOB NAME				TAG NAME			
PUMP SIZE AND MODEL		GPM	TDH	RPM	ROTATION		
MOTOR	HP	FRAME	PHASE	HERTZ	VOLTS	ENCLOSURE	
CERTIFIED FOR			CERTIFIED BY		DATE		DWG NO 5870S035 REV NO 0



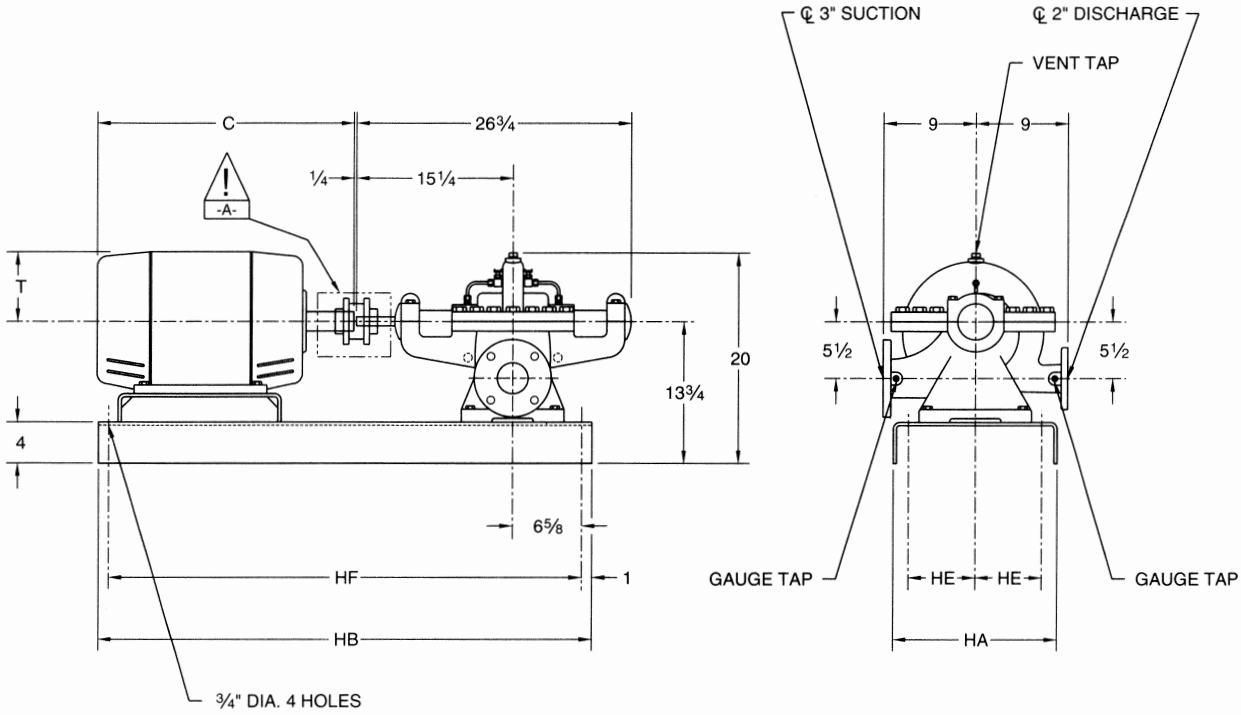
WARNING

DO NOT OPERATE THIS MACHINE WITHOUT PROTECTIVE GUARD IN PLACE. ANY OPERATION OF THIS MACHINE WITHOUT PROTECTIVE GUARD CAN RESULT IN SEVERE BODILY INJURY.

-A- SUPPLIED BY FMPC -B- SUPPLIED BY OTHERS

NOTES:


- (1) ALL FLANGES ARE STANDARD 125# ANSI DRILLING. OPTIONAL 250# ANSI FLANGES ARE AVAILABLE.
- (2) ALL DIMENSIONS ARE IN INCHES UNLESS NOTED.
- (3) ROTATION IS ALWAYS VIEWED FROM THE DRIVER END. FOR C.C.W. ROTATION, SUCTION AND DISCHARGE POSITIONS WILL BE ON OPPOSITE SIDES OF THAT SHOWN ABOVE AND DIMENSIONS IN THE END VIEW WILL BE REVERSED.
- (4) BASES ARE DESIGNED TO BE COMPLETELY FILLED WITH GROUT.
- (5) NOT FOR CONSTRUCTION, INSTALLATION, OR APPLICATION PURPOSES UNLESS CERTIFIED. DIMENSIONS SHOWN MAY VARY DUE TO NORMAL MANUFACTURING TOLERANCES.



CLOCKWISE ROTATION SHOWN (3)

UNIT DIMENSIONS						
MOTOR FRAME SIZE	BASE			MOTOR		
	HA	HB	HE	HF	C	T
215T	16	42	6 1/2	40	17 1/2	5 1/8
254T	16	48	6 1/2	46	20 5/8	6 3/8
256T	16	48	6 1/2	46	22 3/8	6 3/8
284TS	16	48	6 1/2	46	22 1/8	7

UNIT DIMENSIONS						
MOTOR FRAME SIZE	BASE			MOTOR		
	HA	HB	HE	HF	C	T
284T	16	48	6 1/2	46	23 1/2	7
286TS	16	48	6 1/2	46	23 3/8	7
286T	16	48	6 1/2	46	25	7

CUSTOMER				P.O. NO.				
JOB NAME				TAG NAME				
PUMP SIZE AND MODEL		GPM	TDH	RPM	ROTATION			
MOTOR	HP	FRAME	PHASE	HERTZ	VOLTS	ENCLOSURE		
CERTIFIED FOR			CERTIFIED BY		DATE			
					DWG NO	5870S037	REV NO	0

SETTING PLAN
2" 5876A
BENT FORM BASE

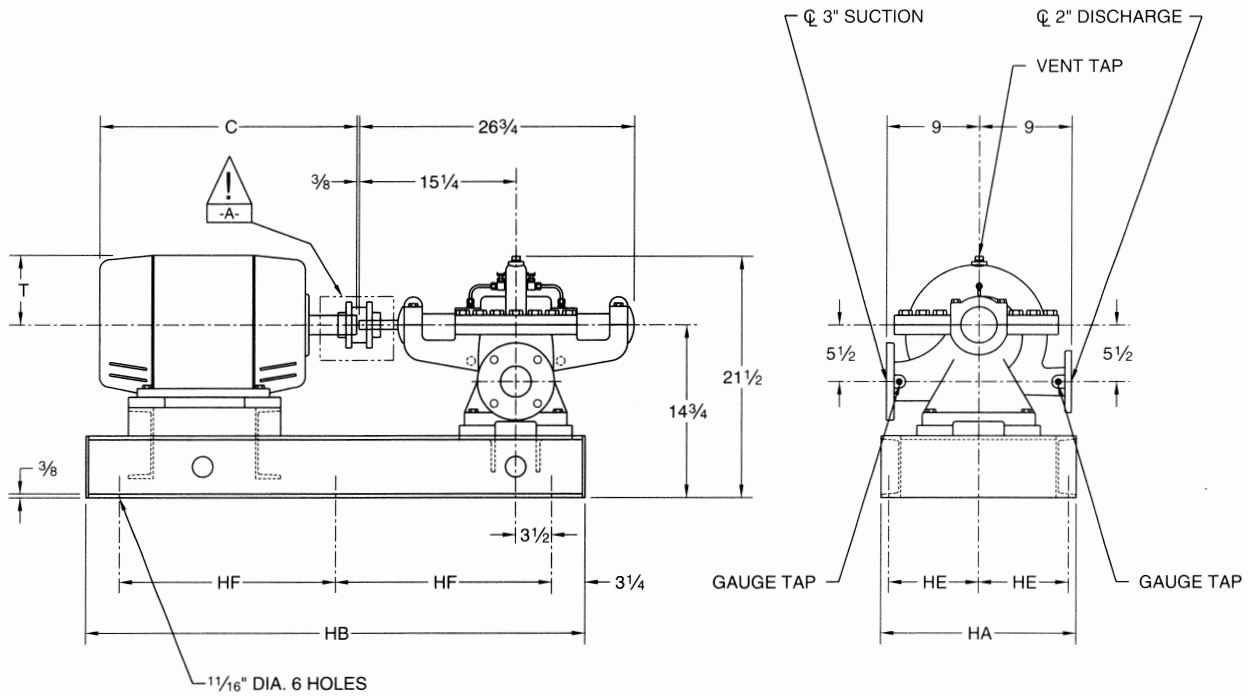
WARNING

DO NOT OPERATE THIS MACHINE WITHOUT PROTECTIVE GUARD IN PLACE. ANY OPERATION OF THIS MACHINE WITHOUT PROTECTIVE GUARD CAN RESULT IN SEVERE BODILY INJURY.

-A- SUPPLIED BY FMPC -B- SUPPLIED BY OTHERS

NOTES:

- (1) ALL FLANGES ARE STANDARD 125# ANSI DRILLING. OPTIONAL 250# ANSI FLANGES ARE AVAILABLE.
- (2) ALL DIMENSIONS ARE IN INCHES UNLESS NOTED.
- (3) ROTATION IS ALWAYS VIEWED FROM THE DRIVER END. FOR C.C.W. ROTATION, SUCTION AND DISCHARGE POSITIONS WILL BE ON OPPOSITE SIDES OF THAT SHOWN ABOVE AND DIMENSIONS IN THE END VIEW WILL BE REVERSED.
- (4) BASES ARE DESIGNED TO BE COMPLETELY FILLED WITH GROUT.
- (5) NOT FOR CONSTRUCTION, INSTALLATION, OR APPLICATION PURPOSES UNLESS CERTIFIED. DIMENSIONS SHOWN MAY VARY DUE TO NORMAL MANUFACTURING TOLERANCES.




CLOCKWISE ROTATION SHOWN (3)

MOTOR FRAME SIZE	UNIT DIMENSIONS BASE				MOTOR	
	HA	HB	HE	HF	C	T
215T	22 1/4	42 1/2	10 1/2	18	17 1/2	5 1/8
254T	22 1/4	42 1/2	10 1/2	18	20 5/8	6 3/8
256T	22 1/4	48 1/2	10 1/2	21	22 3/8	6 3/8
284TS	22 1/4	48 1/2	10 1/2	21	22 1/8	7

MOTOR FRAME SIZE	UNIT DIMENSIONS BASE				MOTOR	
	HA	HB	HE	HF	C	T
284T	22 1/4	48 1/2	10 1/2	21	23 1/2	7
286TS	22 1/4	48 1/2	10 1/2	21	23 5/8	7
286T	22 1/4	48 1/2	10 1/2	21	25	7

CUSTOMER				P.O. NO.		<p>SETTING PLAN 2" 5876A OPTIONAL STRUCTURAL BASE</p>
JOB NAME				TAG NAME		
PUMP SIZE AND MODEL		GPM	TDH	RPM	ROTATION	
MOTOR	HP	FRAME	PHASE	HERTZ	VOLTS	
CERTIFIED FOR			CERTIFIED BY		DATE	DWG NO 5870S039 REV NO 0



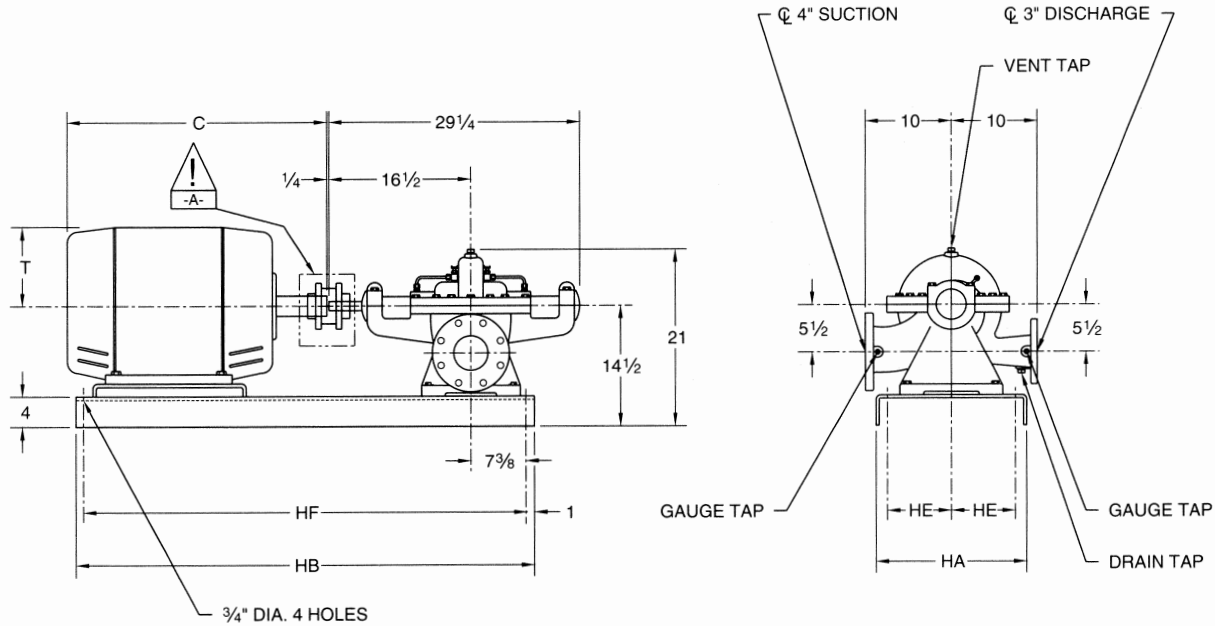
WARNING

DO NOT OPERATE THIS MACHINE WITHOUT PROTECTIVE GUARD IN PLACE. ANY OPERATION OF THIS MACHINE WITHOUT PROTECTIVE GUARD CAN RESULT IN SEVERE BODILY INJURY.

-A- SUPPLIED BY FMPC -B- SUPPLIED BY OTHERS

NOTES:


- (1) ALL FLANGES ARE STANDARD 125# ANSI DRILLING. OPTIONAL 250# ANSI FLANGES ARE AVAILABLE.
- (2) ALL DIMENSIONS ARE IN INCHES UNLESS NOTED.
- (3) ROTATION IS ALWAYS VIEWED FROM THE DRIVER END. FOR C.C.W. ROTATION, SUCTION AND DISCHARGE POSITIONS WILL BE ON OPPOSITE SIDES OF THAT SHOWN ABOVE AND DIMENSIONS IN THE END VIEW WILL BE REVERSED.
- (4) BASES ARE DESIGNED TO BE COMPLETELY FILLED WITH GROUT.
- (5) NOT FOR CONSTRUCTION, INSTALLATION, OR APPLICATION PURPOSES UNLESS CERTIFIED. DIMENSIONS SHOWN MAY VARY DUE TO NORMAL MANUFACTURING TOLERANCES.



CLOCKWISE ROTATION SHOWN (3)

UNIT DIMENSIONS						
MOTOR FRAME SIZE	BASE				MOTOR	
	HA	HB	HE	HF	C	T
256T	16	48	6 1/2	46	22 3/8	6 3/8
284TS	18	54	7 1/2	52	22 1/8	7
284T	18	54	7 1/2	52	23 1/2	7
286TS	18	54	7 1/2	52	23 5/8	7
286T	18	54	7 1/2	52	25	7
324TS	18	54	7 1/2	52	24 5/8	8
324T	18	54	7 1/2	52	26 1/8	8

UNIT DIMENSIONS						
MOTOR FRAME SIZE	BASE				MOTOR	
	HA	HB	HE	HF	C	T
326TS	18	54	7 1/2	52	26 1/8	8
326T	18	54	7 1/2	52	27 5/8	8
364TS	20	54	8 1/2	52	26 5/8	9 1/4
364T	20	54	8 1/2	52	28 3/4	9 1/4
365TS	20	54	8 1/2	52	27 5/8	9 1/4
365T	20	54	8 1/2	52	29 3/4	9 1/4

CUSTOMER				P.O. NO.		
JOB NAME				TAG NAME		
PUMP SIZE AND MODEL		GPM	TDH	RPM	ROTATION	
MOTOR	HP	FRAME	PHASE	HERTZ	VOLTS	ENCLOSURE
CERTIFIED FOR			CERTIFIED BY		DATE	
					DWG NO	5870S041
					REV NO	0



SETTING PLAN
3" 5876A
BENT FORM BASE

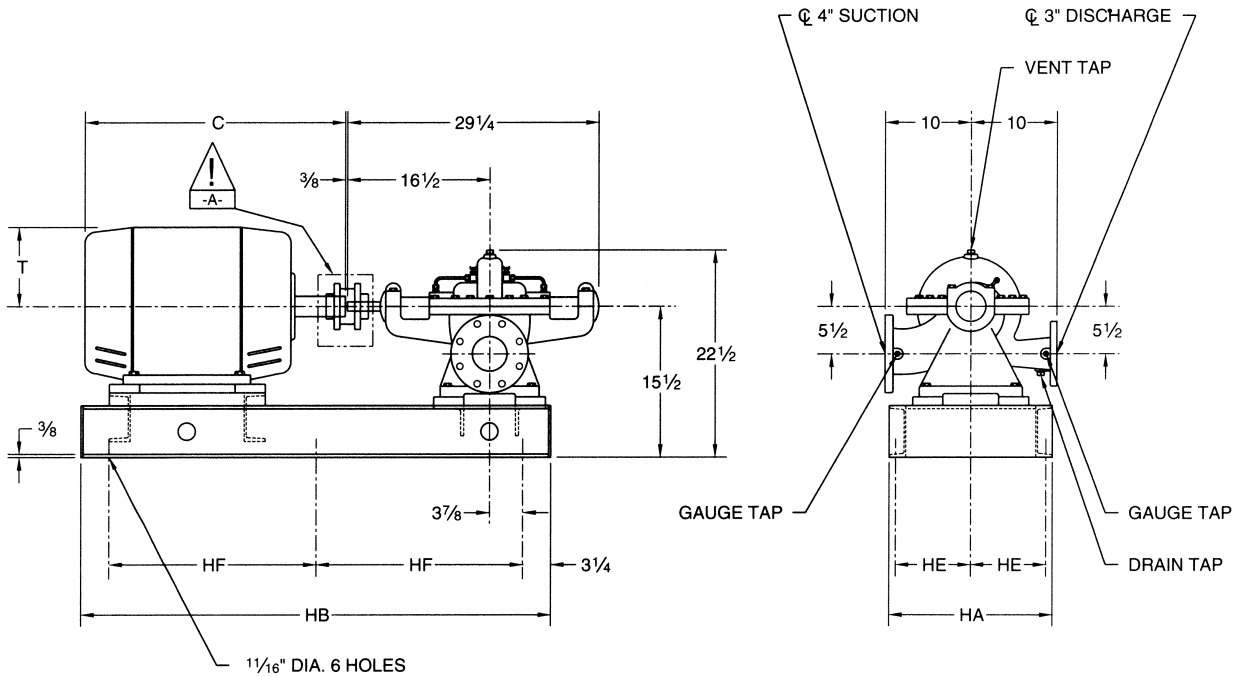
WARNING

DO NOT OPERATE THIS MACHINE WITHOUT PROTECTIVE GUARD IN PLACE. ANY OPERATION OF THIS MACHINE WITHOUT PROTECTIVE GUARD CAN RESULT IN SEVERE BODILY INJURY.

-A- SUPPLIED BY FMPC -B- SUPPLIED BY OTHERS

NOTES:

- (1) ALL FLANGES ARE STANDARD 125# ANSI DRILLING. OPTIONAL 250# ANSI FLANGES ARE AVAILABLE.
- (2) ALL DIMENSIONS ARE IN INCHES UNLESS NOTED.
- (3) ROTATION IS ALWAYS VIEWED FROM THE DRIVER END. FOR C.C.W. ROTATION, SUCTION AND DISCHARGE POSITIONS WILL BE ON OPPOSITE SIDES OF THAT SHOWN ABOVE AND DIMENSIONS IN THE END VIEW WILL BE REVERSED.
- (4) BASES ARE DESIGNED TO BE COMPLETELY FILLED WITH GROUT.
- (5) NOT FOR CONSTRUCTION, INSTALLATION, OR APPLICATION PURPOSES UNLESS CERTIFIED. DIMENSIONS SHOWN MAY VARY DUE TO NORMAL MANUFACTURING TOLERANCES.



CLOCKWISE ROTATION SHOWN (3)

UNIT DIMENSIONS						
MOTOR FRAME SIZE	BASE				MOTOR	
	HA	HB	HE	HF	C	T
256T	22 1/4	48 1/2	10 1/2	21	22 3/8	6 3/8
284TS	22 1/4	48 1/2	10 1/2	21	22 1/8	7
284T	22 1/4	48 1/2	10 1/2	21	23 1/2	7
286TS	22 1/4	48 1/2	10 1/2	21	23 5/8	7
286T	22 1/4	48 1/2	10 1/2	21	25	7
324TS	22 1/4	48 1/2	10 1/2	21	24 5/8	8
324T	22 1/4	48 1/2	10 1/2	21	26 1/8	8

UNIT DIMENSIONS						
MOTOR FRAME SIZE	BASE				MOTOR	
	HA	HB	HE	HF	C	T
326TS	22 1/4	48 1/2	10 1/2	21	26 1/8	8
326T	22 1/4	48 1/2	10 1/2	21	27 5/8	8
364TS	22 1/4	48 1/2	10 1/2	21	26 5/8	9 1/4
364T	22 1/4	54 1/2	10 1/2	24	28 3/4	9 1/4
365TS	22 1/4	48 1/2	10 1/2	21	27 5/8	9 1/4
365T	22 1/4	54 1/2	10 1/2	24	29 3/4	9 1/4

CUSTOMER				P.O. NO.	
JOB NAME				TAG NAME	
PUMP SIZE AND MODEL		GPM	TDH	RPM	ROTATION
MOTOR	HP	FRAME	PHASE	HERTZ	VOLTS
CERTIFIED FOR			CERTIFIED BY		DATE
				ENCLOSURE	



SETTING PLAN
3" 5876A
OPTIONAL
STRUCTURAL BASE

DWG NO. **5870S043** REV NO. **0**

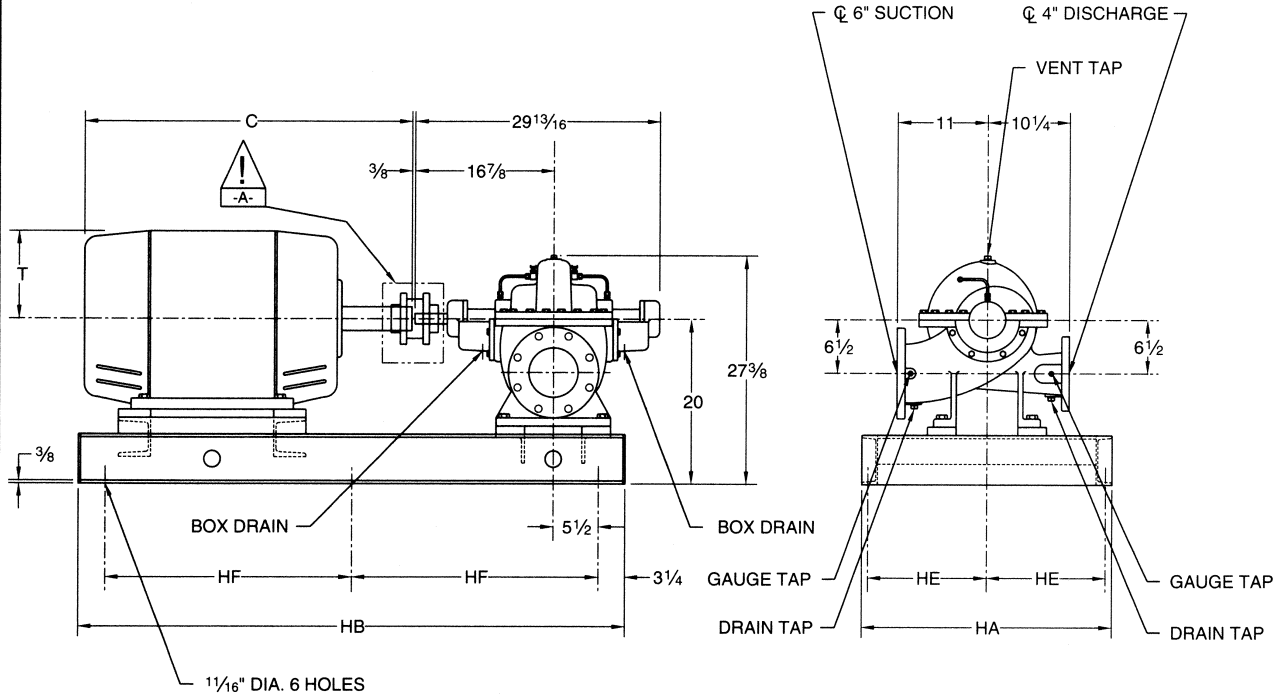
WARNING

DO NOT OPERATE THIS MACHINE WITHOUT PROTECTIVE GUARD IN PLACE. ANY OPERATION OF THIS MACHINE WITHOUT PROTECTIVE GUARD CAN RESULT IN SEVERE BODILY INJURY.

-A- SUPPLIED BY FMPC -B- SUPPLIED BY OTHERS

NOTES:

- (1) DISCHARGE FLANGES ARE STANDARD 250# ANSI DRILLING.
- (2) SUCTION FLANGES ARE STANDARD 125# ANSI DRILLING. OPTIONAL 250# ANSI FLANGES ARE AVAILABLE.
- (3) ALL DIMENSIONS ARE IN INCHES UNLESS NOTED.
- (4) ROTATION IS ALWAYS VIEWED FROM THE DRIVER END. FOR C.C.W. ROTATION, SUCTION AND DISCHARGE POSITIONS WILL BE ON OPPOSITE SIDES OF THAT SHOWN ABOVE AND DIMENSIONS IN THE END VIEW WILL BE REVERSED.
- (5) BASES ARE DESIGNED TO BE COMPLETELY FILLED WITH GROUT.
- (6) NOT FOR CONSTRUCTION, INSTALLATION, OR APPLICATION PURPOSES UNLESS CERTIFIED. DIMENSIONS SHOWN MAY VARY DUE TO NORMAL MANUFACTURING TOLERANCES.



CLOCKWISE ROTATION SHOWN (3)

MOTOR FRAME SIZE	UNIT DIMENSIONS BASE				MOTOR	
	HA	HB	HE	HF	C	T
324TS	30 1/2	54 1/2	14 1/2	24	24 5/8	8
324T	30 1/2	54 1/2	14 1/2	24	26 1/8	8
326TS	30 1/2	54 1/2	14 1/2	24	26 1/8	8
326T	30 1/2	54 1/2	14 1/2	24	27 5/8	8
364TS	30 1/2	54 1/2	14 1/2	24	26 5/8	9 1/4
364T	30 1/2	54 1/2	14 1/2	24	28 3/4	9 1/4
365TS	30 1/2	54 1/2	14 1/2	24	27 5/8	9 1/4
365T	30 1/2	54 1/2	14 1/2	24	29 3/4	9 1/4

MOTOR FRAME SIZE	UNIT DIMENSIONS BASE				MOTOR	
	HA	HB	HE	HF	C	T
404TS	30 1/2	54 1/2	14 1/2	24	29 5/8	10 1/4
404T	30 1/2	54 1/2	14 1/2	24	32 5/8	10 1/4
405TS	30 1/2	54 1/2	14 1/2	24	31 1/8	10 1/4
405T	30 1/2	60 1/2	14 1/2	27	34 1/8	10 1/4
444TS	30 1/2	60 1/2	14 1/2	27	34 1/8	11 1/4
444T	30 1/2	60 1/2	14 1/2	27	37 7/8	11 1/4
445TS	30 1/2	60 1/2	14 1/2	27	36 1/8	11 1/4
445T	30 1/2	60 1/2	14 1/2	27	39 7/8	11 1/4

CUSTOMER				P.O. NO.	
JOB NAME				TAG NAME	
PUMP SIZE AND MODEL		GPM	TDH	RPM	ROTATION
MOTOR	HP	FRAME	PHASE	HERTZ	VOLTS
CERTIFIED FOR		CERTIFIED BY		DATE	



SETTING PLAN
4" 5876
STRUCTURAL BASE

DWG NO **5870S047** REV NO **0**

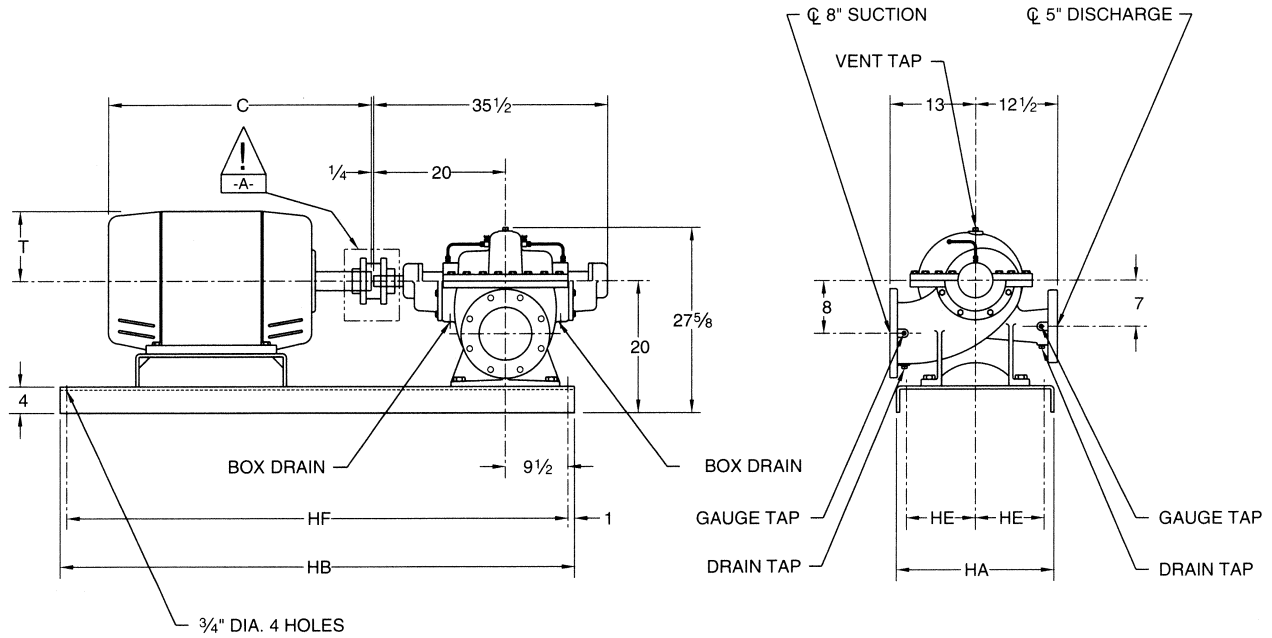
WARNING

DO NOT OPERATE THIS MACHINE WITHOUT PROTECTIVE GUARD IN PLACE. ANY OPERATION OF THIS MACHINE WITHOUT PROTECTIVE GUARD CAN RESULT IN SEVERE BODILY INJURY.

-A- SUPPLIED BY FMPC -B- SUPPLIED BY OTHERS

NOTES:

- (1) DISCHARGE FLANGES ARE STANDARD 250# ANSI DRILLING.
- (2) SUCTION FLANGES ARE STANDART 125# ANSI DRILLING. OPTIONAL 250# ANSI FLANGES ARE AVAILABLE.
- (3) ALL DIMENSIONS ARE IN INCHES UNLESS NOTED.
- (4) ROTATION IS ALWAYS VIEWED FROM THE DRIVER END. FOR C.C.W. ROTATION, SUCTION AND DISCHARGE POSITIONS WILL BE ON OPPOSITE SIDES OF THAT SHOWN ABOVE AND DIMENSIONS IN THE END VIEW WILL BE REVERSED.
- (5) BASES ARE DESIGNED TO BE COMPLETELY FILLED WITH GROUT.
- (6) NOT FOR CONSTRUCTION, INSTALLATION, OR APPLICATION PURPOSES UNLESS CERTIFIED. DIMENSIONS SHOWN MAY VARY DUE TO NORMAL MANUFACTURING TOLERANCES.



CLOCKWISE ROTATION SHOWN (3)

MOTOR FRAME SIZE	UNIT DIMENSIONS BASE				MOTOR	
	HA	HB	HE	HF	C	T
324TS	20	60	8 1/2	58	24 5/8	8
324T	20	60	8 1/2	58	26 1/8	8
326TS	20	60	8 1/2	58	26 1/8	8
326T	20	60	8 1/2	58	27 5/8	8
364TS	20	60	8 1/2	58	26 5/8	9 1/4
364T	20	60	8 1/2	58	28 3/4	9 1/4
365TS	20	60	8 1/2	58	27 5/8	9 1/4
365T	20	60	8 1/2	58	29 3/4	9 1/4

MOTOR FRAME SIZE	UNIT DIMENSIONS BASE				MOTOR	
	HA	HB	HE	HF	C	T
404TS	24	66	10 1/2	64	29 5/8	10 1/4
404T	24	66	10 1/2	64	32 5/8	10 1/4
405TS	24	66	10 1/2	64	31 1/8	10 1/4
405T	24	66	10 1/2	64	34 1/8	10 1/4
444TS	24	78	10 1/2	76	34 1/8	11 1/4
444T	24	78	10 1/2	76	37 7/8	11 1/4
445TS	24	78	10 1/2	76	36 1/8	11 1/4
445T	24	78	10 1/2	76	39 7/8	11 1/4

CUSTOMER				P.O. NO.		<p>SETTING PLAN 5" 5876 BENT FORM BASE</p>
JOB NAME				TAG NAME		
PUMP SIZE AND MODEL		GPM	TDH	RPM	ROTATION	
MOTOR	HP	FRAME	PHASE	HERTZ	VOLTS	ENCLOSURE
CERTIFIED FOR			CERTIFIED BY		DATE	
					DWG NO. 5870S049	REV NO. 0

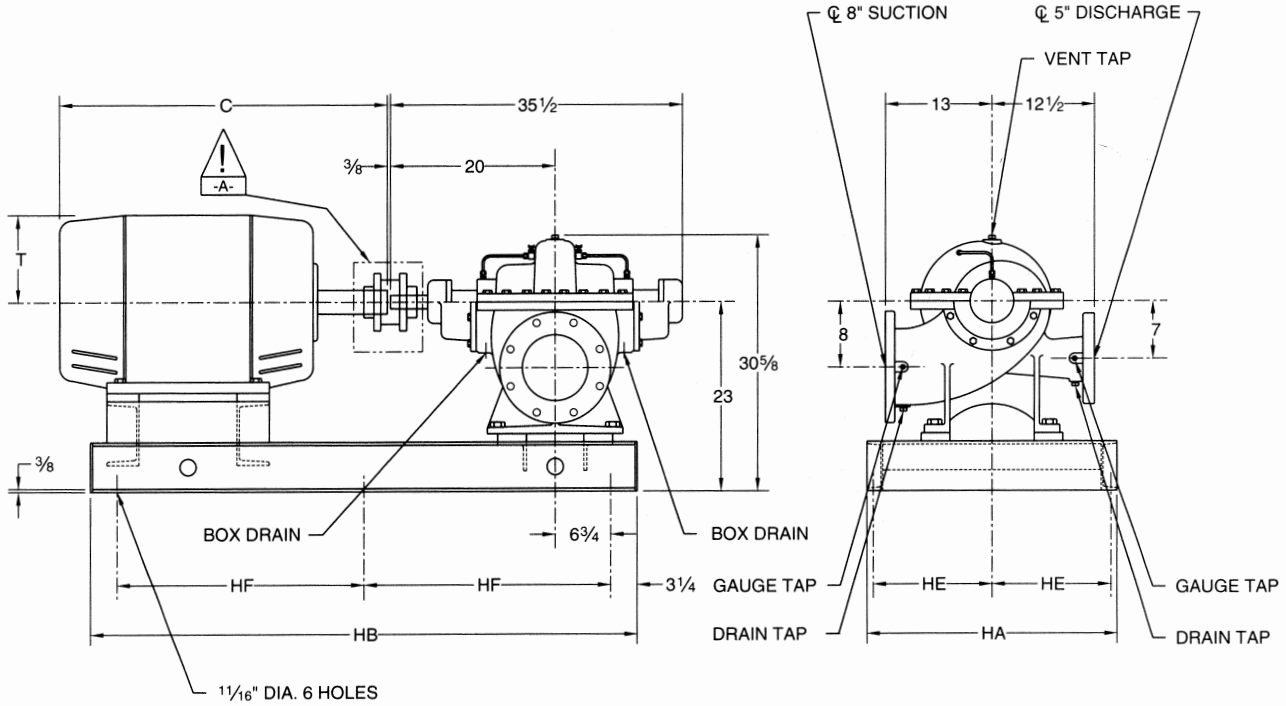
WARNING

DO NOT OPERATE THIS MACHINE WITHOUT PROTECTIVE GUARD IN PLACE. ANY OPERATION OF THIS MACHINE WITHOUT PROTECTIVE GUARD CAN RESULT IN SEVERE BODILY INJURY.

-A- SUPPLIED BY FMPC -B- SUPPLIED BY OTHERS

NOTES:

- (1) DISCHARGE FLANGES ARE STANDARD 250# ANSI DRILLING.
- (2) SUCTION FLANGES ARE STANDARD 125# ANSI DRILLING. OPTIONAL 250# ANSI FLANGES ARE AVAILABLE.
- (3) ALL DIMENSIONS ARE IN INCHES UNLESS NOTED.
- (4) ROTATION IS ALWAYS VIEWED FROM THE DRIVER END. FOR C.C.W. ROTATION, SUCTION AND DISCHARGE POSITIONS WILL BE ON OPPOSITE SIDES OF THAT SHOWN ABOVE AND DIMENSIONS IN THE END VIEW WILL BE REVERSED.
- (5) BASES ARE DESIGNED TO BE COMPLETELY FILLED WITH GROUT.
- (6) NOT FOR CONSTRUCTION, INSTALLATION, OR APPLICATION PURPOSES UNLESS CERTIFIED. DIMENSIONS SHOWN MAY VARY DUE TO NORMAL MANUFACTURING TOLERANCES.



CLOCKWISE ROTATION SHOWN (3)

MOTOR FRAME SIZE	UNIT DIMENSIONS BASE				MOTOR	
	HA	HB	HE	HF	C	T
324TS	30 1/2	60 1/2	14 1/2	27	24 5/8	8
324T	30 1/2	60 1/2	14 1/2	27	26 1/8	8
326TS	30 1/2	60 1/2	14 1/2	27	26 1/8	8
326T	30 1/2	60 1/2	14 1/2	27	27 5/8	8
364TS	30 1/2	60 1/2	14 1/2	27	26 5/8	9 1/4
364T	30 1/2	60 1/2	14 1/2	27	28 3/4	9 1/4
365TS	30 1/2	60 1/2	14 1/2	27	27 5/8	9 1/4
365T	30 1/2	60 1/2	14 1/2	27	29 3/4	9 1/4

MOTOR FRAME SIZE	UNIT DIMENSIONS BASE				MOTOR	
	HA	HB	HE	HF	C	T
404TS	30 1/2	60 1/2	14 1/2	27	29 5/8	10 1/4
404T	30 1/2	60 1/2	14 1/2	27	32 5/8	10 1/4
405TS	30 1/2	60 1/2	14 1/2	27	31 1/8	10 1/4
405T	30 1/2	60 1/2	14 1/2	27	34 1/8	10 1/4
444TS	30 1/2	60 1/2	14 1/2	27	34 1/8	11 1/4
444T	30 1/2	66 1/2	14 1/2	30	37 7/8	11 1/4
445TS	30 1/2	66 1/2	14 1/2	30	36 1/8	11 1/4
445T	30 1/2	66 1/2	14 1/2	30	39 7/8	11 1/4

CUSTOMER				P.O. NO.		
JOB NAME				TAG NAME		
PUMP SIZE AND MODEL		GPM	TDH	RPM	ROTATION	
MOTOR	HP	FRAME	PHASE	HERTZ	VOLTS	ENCLOSURE
CERTIFIED FOR			CERTIFIED BY		DATE	
SETTING PLAN 5" 5876 OPTIONAL STRUCTURAL BASE					DWG NO	5870S051 REV NO 0

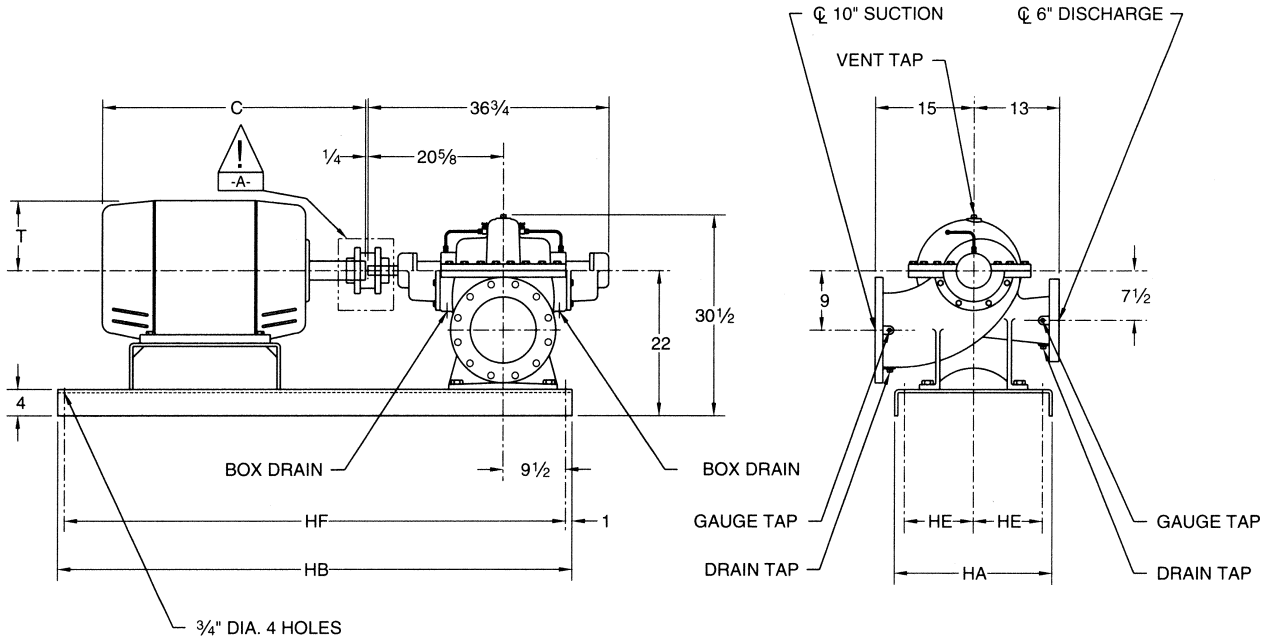
WARNING

DO NOT OPERATE THIS MACHINE WITHOUT PROTECTIVE GUARD IN PLACE. ANY OPERATION OF THIS MACHINE WITHOUT PROTECTIVE GUARD CAN RESULT IN SEVERE BODILY INJURY.

-A- SUPPLIED BY FMPC -B- SUPPLIED BY OTHERS

NOTES:

- (1) DISCHARGE FLANGES ARE STANDARD 250# ANSI DRILLING.
- (2) SUCTION FLANGES ARE STANDART 125# ANSI DRILLING. OPTIONAL 250# ANSI FLANGES ARE AVAILABLE.
- (3) ALL DIMENSIONS ARE IN INCHES UNLESS NOTED.
- (4) ROTATION IS ALWAYS VIEWED FROM THE DRIVER END. FOR C. C.W. ROTATION, SUCTION AND DISCHARGE POSITIONS WILL BE ON OPPOSITE SIDES OF THAT SHOWN ABOVE AND DIMENSIONS IN THE END VIEW WILL BE REVERSED.
- (5) BASES ARE DESIGNED TO BE COMPLETELY FILLED WITH GROUT.
- (6) NOT FOR CONSTRUCTION, INSTALLATION, OR APPLICATION PURPOSES UNLESS CERTIFIED. DIMENSIONS SHOWN MAY VARY DUE TO NORMAL MANUFACTURING TOLERANCES.



CLOCKWISE ROTATION SHOWN (3)

MOTOR FRAME SIZE	UNIT DIMENSIONS BASE				MOTOR	
	HA	HB	HE	HF	C	T
324TS	20	60	8 1/2	58	24 5/8	8
324T	20	60	8 1/2	58	26 1/8	8
326TS	20	60	8 1/2	58	26 1/8	8
326T	20	60	8 1/2	58	27 5/8	8
364TS	20	60	8 1/2	58	26 5/8	9 1/4
364T	20	60	8 1/2	58	28 3/4	9 1/4
365TS	20	60	8 1/2	58	27 5/8	9 1/4
365T	20	60	8 1/2	58	29 3/4	9 1/4

MOTOR FRAME SIZE	UNIT DIMENSIONS BASE				MOTOR	
	HA	HB	HE	HF	C	T
404TS	24	66	10 1/2	64	29 5/8	10 1/4
404T	24	66	10 1/2	64	32 5/8	10 1/4
405TS	24	66	10 1/2	64	31 1/8	10 1/4
405T	24	66	10 1/2	64	34 1/8	10 1/4
444TS	24	78	10 1/2	76	34 1/8	11 1/4
444T	24	78	10 1/2	76	37 7/8	11 1/4
445TS	24	78	10 1/2	76	36 1/8	11 1/4
445T	24	78	10 1/2	76	39 7/8	11 1/4

CUSTOMER				P.O. NO.		
JOB NAME				TAG NAME		
PUMP SIZE AND MODEL		GPM	TDH	RPM	ROTATION	
MOTOR	HP	FRAME	PHASE	HERTZ	VOLTS	ENCLOSURE
CERTIFIED FOR			CERTIFIED BY		DATE	
					DWG NO	5870S053
					REV NO	0

SETTING PLAN
6" 5876
BENT FORM BASE

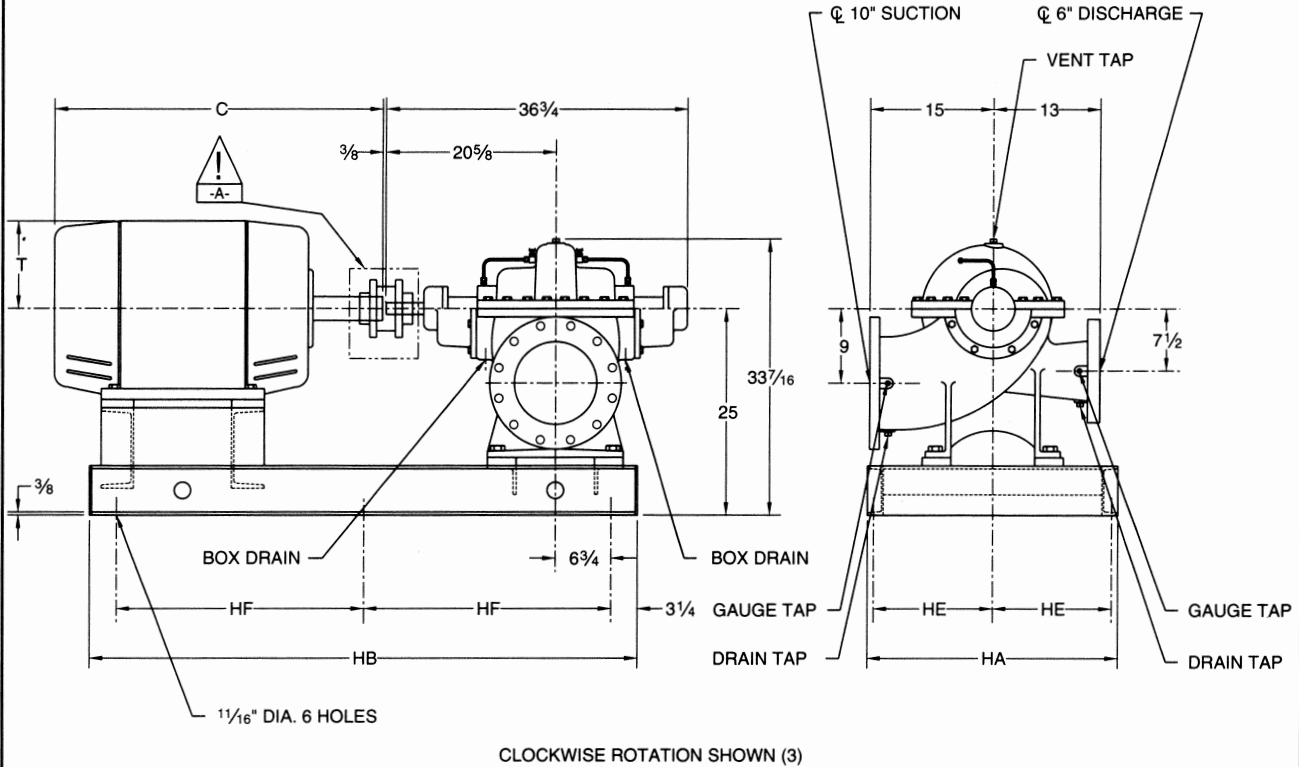
WARNING

DO NOT OPERATE THIS MACHINE WITHOUT PROTECTIVE GUARD IN PLACE. ANY OPERATION OF THIS MACHINE WITHOUT PROTECTIVE GUARD CAN RESULT IN SEVERE BODILY INJURY.

-A- SUPPLIED BY FMPC -B- SUPPLIED BY OTHERS

NOTES:

- (1) DISCHARGE FLANGES ARE STANDARD 250# ANSI DRILLING.
- (2) SUCTION FLANGES ARE STANDARD 125# ANSI DRILLING. OPTIONAL 250# ANSI FLANGES ARE AVAILABLE.
- (3) ALL DIMENSIONS ARE IN INCHES UNLESS NOTED.
- (4) ROTATION IS ALWAYS VIEWED FROM THE DRIVER END. FOR C.C.W. ROTATION, SUCTION AND DISCHARGE POSITIONS WILL BE ON OPPOSITE SIDES OF THAT SHOWN ABOVE AND DIMENSIONS IN THE END VIEW WILL BE REVERSED.
- (5) BASES ARE DESIGNED TO BE COMPLETELY FILLED WITH GROUT.
- (6) NOT FOR CONSTRUCTION, INSTALLATION, OR APPLICATION PURPOSES UNLESS CERTIFIED. DIMENSIONS SHOWN MAY VARY DUE TO NORMAL MANUFACTURING TOLERANCES.



MOTOR FRAME SIZE	BASE				MOTOR	
	HA	HB	HE	HF	C	T
324TS	30 1/2	66 1/2	14 1/2	30	24 5/8	8
324T	30 1/2	66 1/2	14 1/2	30	26 1/8	8
326TS	30 1/2	66 1/2	14 1/2	30	26 1/8	8
326T	30 1/2	66 1/2	14 1/2	30	27 5/8	8
364TS	30 1/2	66 1/2	14 1/2	30	26 5/8	9 1/4
364T	30 1/2	66 1/2	14 1/2	30	28 3/4	9 1/4
365TS	30 1/2	66 1/2	14 1/2	30	27 5/8	9 1/4
365T	30 1/2	66 1/2	14 1/2	30	29 3/4	9 1/4

MOTOR FRAME SIZE	BASE				MOTOR	
	HA	HB	HE	HF	C	T
404TS	30 1/2	66 1/2	14 1/2	30	29 5/8	10 1/4
404T	30 1/2	66 1/2	14 1/2	30	32 5/8	10 1/4
405TS	30 1/2	66 1/2	14 1/2	30	31 1/8	10 1/4
405T	30 1/2	66 1/2	14 1/2	30	34 1/8	10 1/4
444TS	30 1/2	66 1/2	14 1/2	30	34 1/8	11 1/4
444T	30 1/2	66 1/2	14 1/2	30	37 7/8	11 1/4
445TS	30 1/2	66 1/2	14 1/2	30	36 1/8	11 1/4
445T	30 1/2	66 1/2	14 1/2	30	39 7/8	11 1/4

CUSTOMER				P.O. NO.	
JOB NAME				TAG NAME	
PUMP SIZE AND MODEL		GPM	TDH	RPM	ROTATION
MOTOR	HP	FRAME	PHASE	HERTZ	VOLTS
CERTIFIED FOR			CERTIFIED BY		DATE



SETTING PLAN
6" 5876
OPTIONAL
STRUCTURAL BASE

DWG NO **5870S055** REV NO **0**