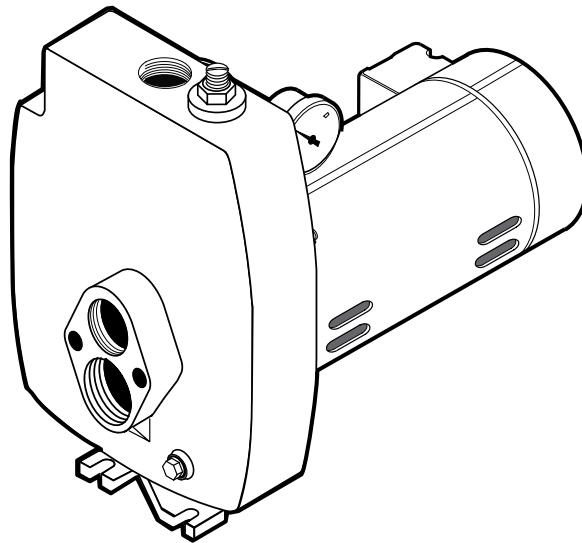


BERKELEY®



5FL-L, 5FLJ, 7FL, 7FLJ

Installation/Operation/Parts

For further operating, installation, or maintenance assistance:

Call 1-888-782-7483

READ AND FOLLOW SAFETY INSTRUCTIONS!

⚠ This is the safety alert symbol. When you see this symbol on your pump or in this manual, look for one of the following signal words and be alert to the potential for personal injury:

⚠ DANGER warns about hazards that **will** cause serious personal injury, death or major property damage if ignored.

⚠ WARNING warns about hazards that **can** cause serious personal injury, death or major property damage if ignored.

⚠ CAUTION warns about hazards that **will** or **can** cause minor personal injury or property damage if ignored.


The label **NOTICE** indicates special instructions which are important but not related to hazards.

Carefully read and follow all safety instructions in this manual and on pump.

Keep safety labels in good condition. Replace missing or damaged safety labels.

California Proposition 65 Warning

⚠ WARNING This product and related accessories contain chemicals known to the State of California to cause cancer, birth defects or other reproductive harm.


<p>⚠ WARNING</p> <p>Hazardous voltage. Can shock, burn, or cause death.</p> <p>Ground pump before connecting to power supply. Disconnect power before working on pump, motor or tank.</p>

- ⚠** Wire motor for correct voltage. See “Electrical” section of this manual and motor nameplate.
- ⚠** Ground motor before connecting to power supply.
- ⚠** Meet National Electrical Code, Canadian Electrical Code, and local codes for all wiring.
- ⚠** Follow wiring instructions in this manual when connecting motor to power lines.

ELECTRICAL SAFETY

⚠ WARNING Capacitor voltage may be hazardous. To discharge motor capacitor, hold insulated handle screwdriver **BY THE HANDLE** and short capacitor terminals together. Do not touch metal screwdriver blade or capacitor terminals. If in doubt, consult a qualified electrician.

GENERAL SAFETY

⚠ CAUTION Do not touch an operating motor. Modern motors are designed to operate at high temperatures. To avoid burns when servicing pump, allow it to cool for 20 minutes after shut-down before handling.

Do not allow pump or any system component to freeze. To do so will void warranty.

Pump water only with this pump.


Periodically inspect pump and system components.

Wear safety glasses at all times when working on pumps.

Keep work area clean, uncluttered and properly lighted; store properly all unused tools and equipment.

Keep visitors at a safe distance from the work areas.

⚠ WARNING Pump body may explode if used as a booster pump unless relief valve capable of passing full pump flow at 75 psi is installed.

	<p>⚠ WARNING</p> <p>Hazardous pressure! Install pressure relief valve in discharge pipe.</p> <p>Release all pressure on system before working on any component.</p>
--------------------------------------------------------------------------------------	-----------------------------------------------------------------------------------------------------------------------------------------------------------------------------------

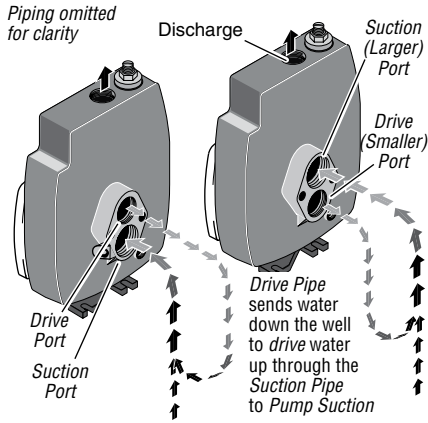


Figure 1: Drive and Suction Functions

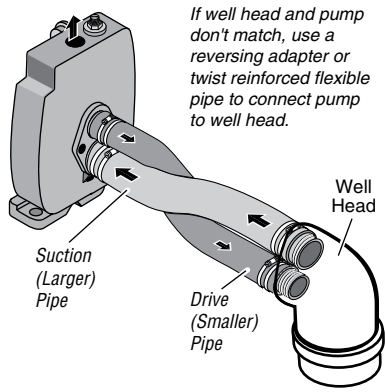


Figure 2: Reversed Connections to Well

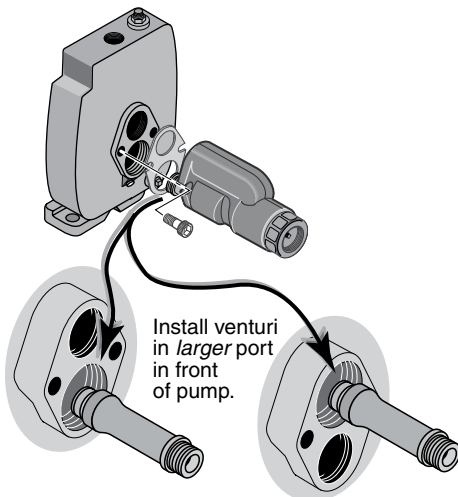


Figure 3: Mount Ejector - Shallow Well

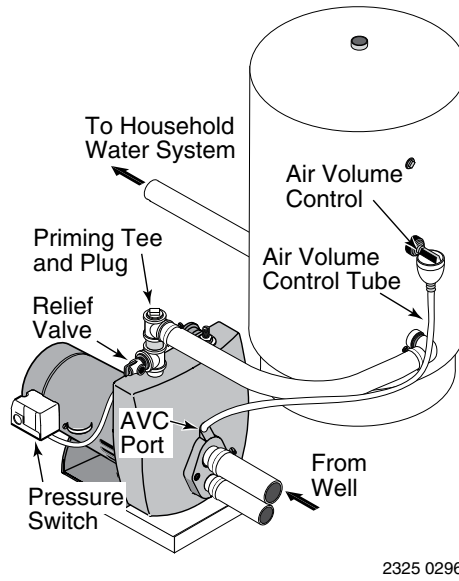
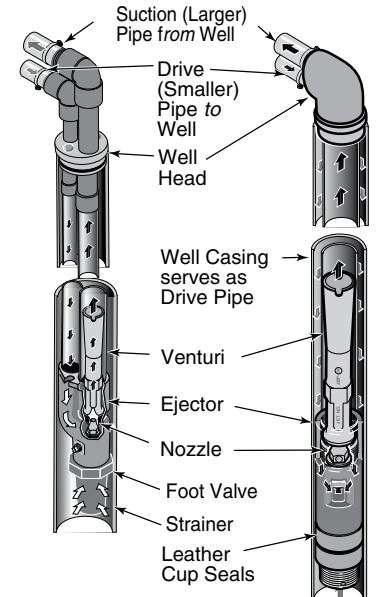


Figure 4: Typical Deep Well Installations (More than 25' (7-1/2M) depth to water with pump running.)

"Double Pipe" (4" and Larger Diameter Well) **"Single Pipe" (2" and 3" Diameter Well)**



1834 0695

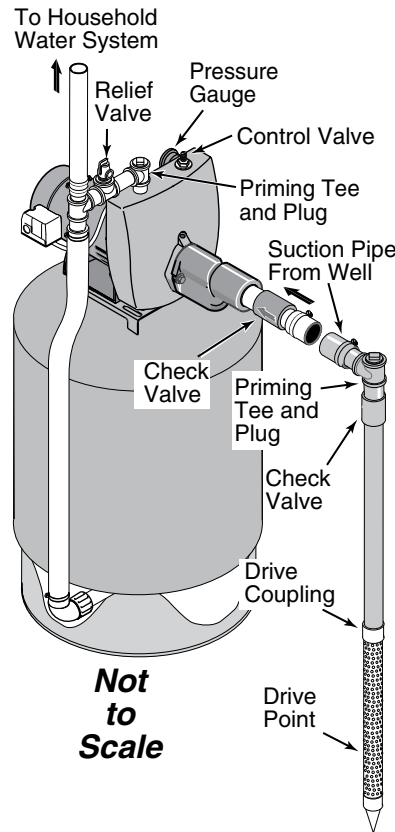
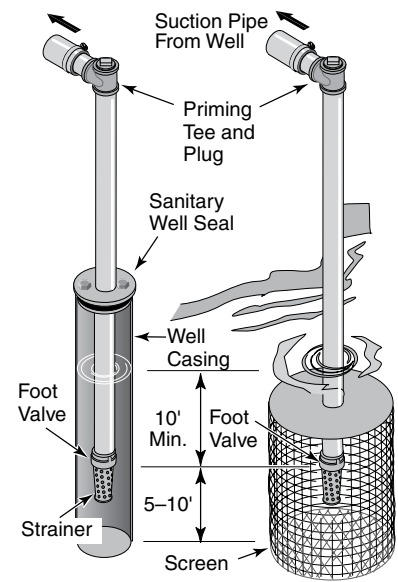


Figure 5: Typical Shallow Well Installations (25' (7-1/2M) or less depth to water with pump running.)

Cased Well

Open Water



1836 0695

2319 0296

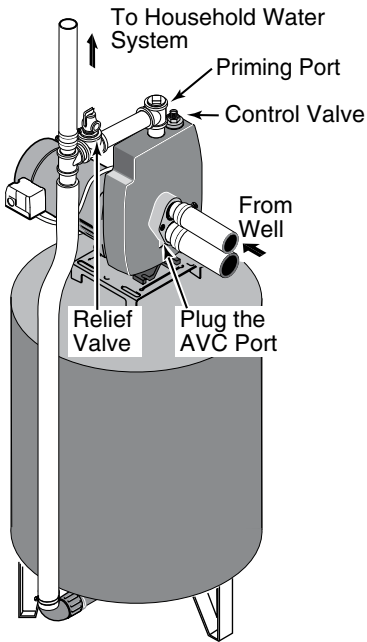


Figure 6: Pre-charged Tank Connections

PRE-CHARGE TANK CONNECTION (Figure 6)

If your system uses a pre-charged tank, it should be connected to the pump as shown in Figure 6. The relief valve must be capable of passing the entire pump capacity at 100 PSI pressure.

Check the pre-charge of air in the tank with an ordinary tire gauge. The pre-charge is measured *when there is no water pressure in the tank*. Disconnect power to the pump and drain the tank before checking the pre-charge. Your pump has a 30/50 PSI switch, so the tank pre-charge pressure should be 28 PSI (that is, it should be 2 PSI lower than the cut-in pressure of the pressure switch).

No AVC is required for a pre-charged tank; the 1/8" NPT AVC port on the pump body should be plugged.

STANDARD TANK CONNECTION (Figure 7)

If your system uses a standard tank, connect it to the pump as shown in Figure 7. The relief valve used with a standard tank must be capable of passing the entire pump capacity at 75 PSI pressure.

Connect the Air Volume Control (AVC) tube to the 1/8" NPT AVC port on the pump body. Run the tubing from the pump's AVC port to the AVC mounted on the tank. See the instructions provided with tank and AVC for details.

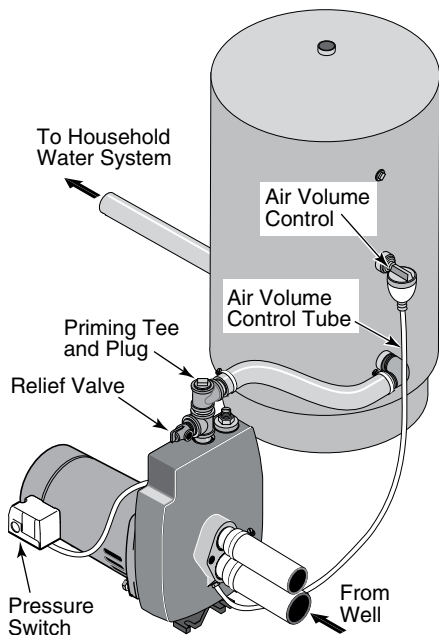


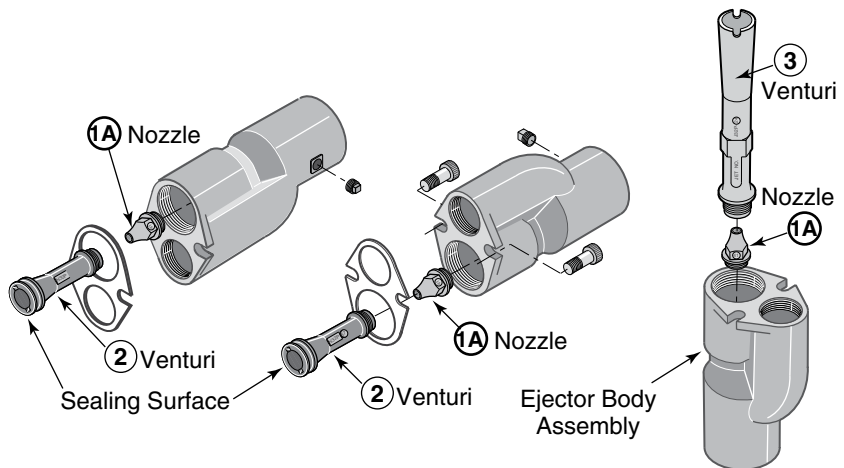
Figure 7: Standard Tank Connections

Sealing Pipe Joints

Use only PTFE pipe thread sealant tape for making all threaded connections to the pump itself. **Do not use pipe joint compounds on plastic pumps:** they can react with the plastic in pump components. Make sure that all pipe joints in the suction pipe are air tight as well as water tight. *If the suction pipe can suck air, the pump will not be able to pull water from the well.*

Ejector Package Installation

Shallow Well or Deep Well



Shallow Well Installation
Mounted directly on pump

Deep Well Installation
Mounted down in well

Ejector Package includes both a shallow well venturi (Item 2) and a deep well venturi (Item 3). See Figure 5 to determine your pumping conditions and install appropriate venturi in ejector body (Item 1). Nozzle (Item 1A) comes pre-installed in ejector body and works with both shallow well and deep well venturis.

NOTE: If installing shallow well venturi, do not damage sealing face (See drawing) or internal leakage may occur.

⚠️ Disconnect power before working on pump, motor, pressure switch, or wiring.

Your Motor Terminal Board (under the motor end cover) and Pressure Switch look like one of those shown below. Convert to 115 Volts as shown. Do not change motor

wiring if line voltage is 230 Volts or if you have a single voltage motor. Connect power supply as shown for your type of switch and your supply voltage.

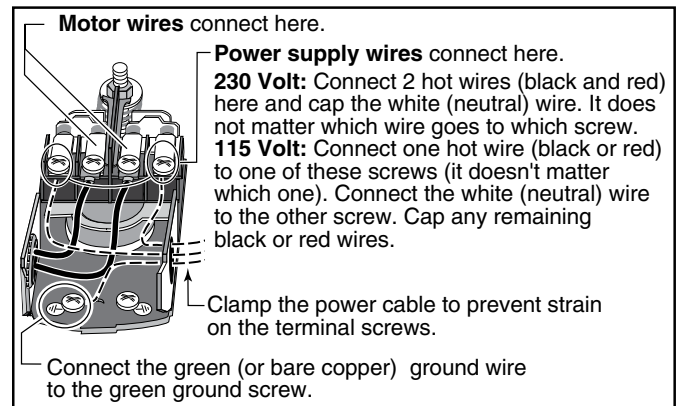
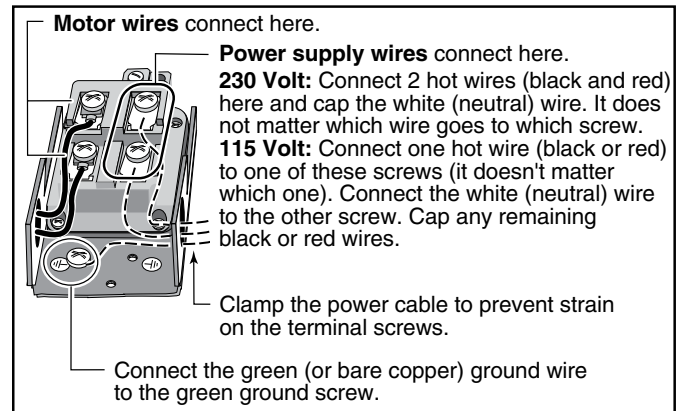
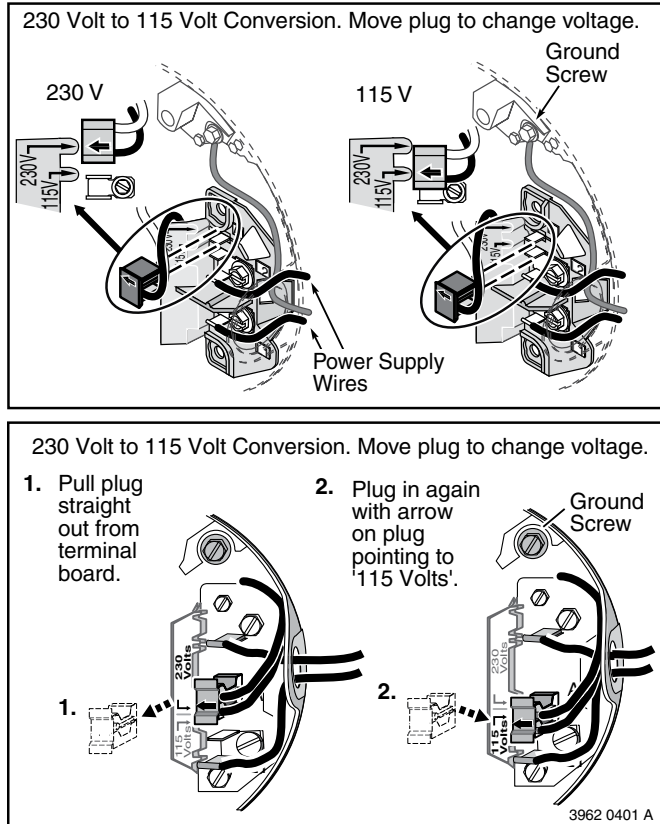


Figure 8: Motor wiring connections through Pressure Switch. Match motor voltage to line voltage.

⚠️ WARNING Hazardous voltage. Can shock, burn, or kill. Connect ground wire before connecting power supply wires. Use the wire size (including the ground wire) specified in the wiring chart. If possible, connect the pump to a separate branch circuit with no other appliances on it.

⚠️ WARNING Explosion hazard. Do not ground to a gas supply line.

WIRING CONNECTIONS

⚠️ WARNING Fire hazard. Incorrect voltage can cause a fire or seriously damage the motor and voids the warranty. The supply voltage must be within $\pm 10\%$ of the motor nameplate voltage.

NOTICE: Dual-voltage motors are factory wired for 230 volts. If necessary, reconnect the motor for 115 volts, as shown. Do not alter the wiring in single voltage motors.

Install, ground, wire, and maintain your pump in compliance with the National Electrical Code (NEC) in the U.S., or the Canadian Electrical Code (CEC), as applicable, and with all local codes and ordinances that apply. Consult your local building inspector for code information.

Connection Procedure:

- Step 1. Connect the ground wire first as shown in Figure 8. The ground wire must be a solid copper wire at least as large as the power supply wires.
- Step 2. There must be a solid metal connection between the pressure switch and the motor for motor grounding protection. If the pressure switch is not connected to the motor, connect the green ground screw in the switch to the green ground screw under the motor end cover. Use a solid copper wire at least as large as the power supply wires.
- Step 3. Connect the ground wire to a grounded lead in a service panel, to a metal underground water pipe, to a metal well casing at least ten feet (3M) long, or to a ground electrode provided by the power company or the hydro authority.
- Step 4. Connect the power supply wires to the pressure switch as shown in Figure 8.

Table I: Wiring Chart – Recommended Wire and Fuse Sizes

Model	HP	Max Load Amps	Branch Fuse Rating Amps	Distance in Feet (Meters); Wire Size AWG (mm ²)				
				0-100 (0-30)	101-200 (31-61)	201-300 (62-91)	301-400 (92-122)	401-500 (123-152)
5FL-L	1/2	9.4/4.7	15/15	14/14(2/2)	10/14(5.5/2)	10/14(5.5/2)	6/14(14/2)	6/12(14/3)
5FLJ	1/2	8.8/4.4	15/15	14/14(2/2)	12/14(3/2)	10/14(5.5/2)	8/14(8.4/2)	8/12(8.4/3)
7FL, 7FLJ	3/4	12.2/6.1	20/15	12/14(3/2)	10/14(5.5/2)	8/14(8.4/2)	6/12(14/3)	6/12(14/3)

Preparing to Start the Pump – Deep Well

Open control valve as far as possible and fill pump and piping through priming port or priming tee.

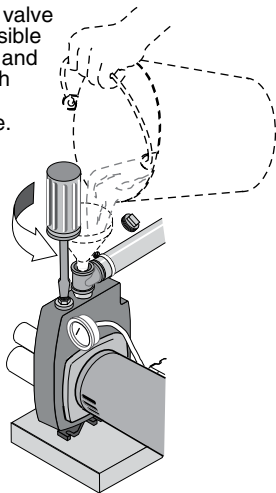
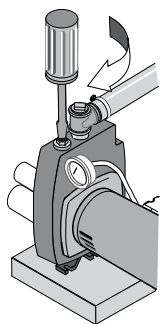


Figure 9: Fill Pump



Replace all fill plugs and close control valve completely.

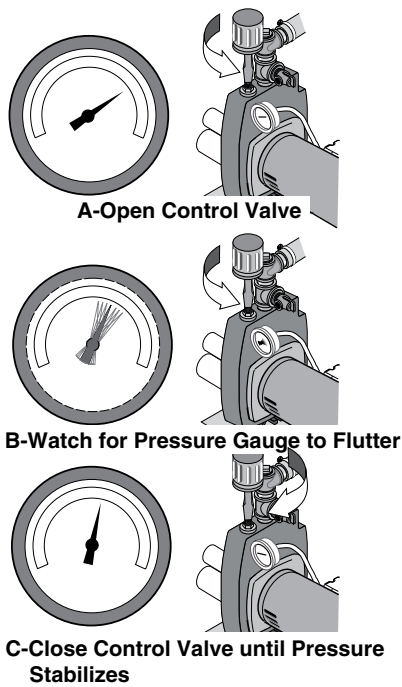
2758 0197

Figure 10: Prime Pump

⚠ WARNING Never run pump against closed discharge. To do so can boil water inside pump, causing hazardous pressure in unit, risk of explosion and possibly scalding persons handling pump.

⚠ CAUTION Never run pump dry. Running pump without water may cause pump to overheat, damaging seal and possibly causing burns to persons handling pump. Fill pump with water before starting.

- Step 1. Open the control valve as far as possible (see Figure 9). Then remove the priming plug from the pump and fill the pump, fill all piping between the pump and the well, and make sure that all piping in the well is full. If you installed a priming tee in the suction piping, remove the plug from the tee and fill the suction piping.
- Step 2. **Deep Well:** Replace all fill plugs; close the control valve completely (Figure 10).
Shallow Well: Leave the control valve open (in a shallow well installation, the control valve always stays open).
- Step 3. Power on! Start the pump and watch the pressure gauge.
Deep Well: The pressure should build rapidly to 50 PSI as the pump primes.
Shallow Well: The pump should pump water in two or three minutes.
- Step 4. After 2 or 3 minutes, the gauge should show pressure or you should have water. If not, stop the pump, remove the fill plugs, reopen the control valve, and refill the pump and piping. You may have to repeat this two or three times in order to get all the trapped air out of the piping. On a deep well, don't forget to close the control valve each time before you start the pump.



2754 0197

Figure 11: Set Control Valve

Step 5. **Deep Well only:** When pressure has built up and stabilized at about 50 PSI, slowly open the control valve (see Figure 11) and let the pressure drop until the pressure gauge needle starts to flutter. When the needle flutters, close the valve just enough to stop the flutter (see Figure 11). Your pump is now operating at its most efficient point.

Step 6. After the pump has built up pressure in the system and shut off, check the pressure switch operation by opening a faucet or two and running enough water out to bleed off pressure until the pump starts. The pump should start when pressure drops to 30 PSI and stop when pressure reaches 50 PSI. Run the pump through one or two complete cycles to verify correct operation. This will also help clean the system of dirt and scale dislodged during installation.

NOTICE: Due to normal irregularities in the cup seal leather and the inner walls of the casing, packer jets do not form a perfect seal. In a dormant system, pressure will leak off over time, causing pump to cycle periodically to maintain system pressure level.

Table II – 4” Double Pipe Deep Well Performance and Ejector Chart - Ejector Package BK4800

Feet to Water	Model 5FL-L, 5FLJ 1/2 HP				Model 7FL, 7FLJ 3/4 HP			
	Pressure in psi				Pressure in psi			
	20	30	40	50	20	30	40	50
	GPH w/J32P-24 Venturi & #51 Nozzle				GPH w/J32P-32 Venturi & #55 Nozzle			
30'	525	390	245	120	900	690	420	150
40	450	315	190	77	700	540	130	–
	GPH w/J32P-24 Venturi & #51 Nozzle				GPH w/J32P-32 Venturi & #55 Nozzle			
50	390	245	120	–	500	385	240	120
60	300	175	70	–	410	300	180	60
70	–	–	–	–	335	240	110	–
80	–	–	–	–	240	150	45	–
90	–	–	–	–	–	–	–	–

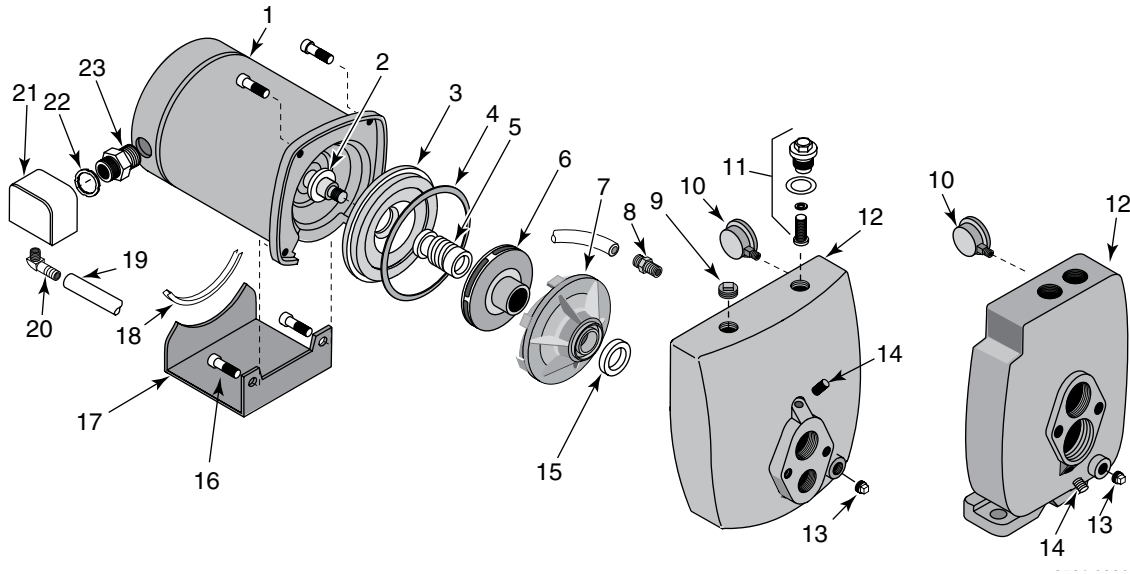
Table III – 2” Single Pipe Deep Well Performance and Ejector Chart - Ejector Package BK4830 or BK4840

Feet to Water	Model 5FL-L, 5FLJ 1/2 HP				Model 7FL, 7FLJ 3/4 HP			
	Pressure in psi				Pressure in psi			
	20	30	40	50	20	30	40	50
	GPH w/J32P-24 Venturi & #54 Nozzle				GPH w/J32P-32 Venturi & #55 Nozzle			
30'	580	420	260	125	900	660	400	140
40	485	325	180	48	720	520	260	–
	GPH w/J32P-18 Venturi & #52 Nozzle							
50	275	215	155	100	285	235	185	140
60	225	175	120	66	250	200	155	115
70	190	135	90	42	215	170	125	80
80	–	–	–	–	180	135	95	–
90	–	–	–	–	150	105	–	–
100	–	–	–	–	120	80	–	–
110	–	–	–	–	–	–	–	–

Table IV – Shallow Well Performance and Ejector Chart - Ejector Package BK4855

Feet to Water	Model 5FL-L, 5FLJ 1/2 HP				Model 7FL, 7FLJ 3/4 HP			
	Pressure in psi				Pressure in psi			
	20	30	40	50	20	30	40	50
	GPH w/N32P-66B Venturi & #45 Nozzle				GPH w/N32P-75B Venturi & #51 Nozzle			
5'	537	537	469	250	856	856	831	450
10	537	537	432	230	787	787	765	414
15	430	430	375	200	685	685	665	360
20	365	365	319	170	582	582	565	306
25	323	323	282	150	513	513	498	270

NOTE: psi = Pounds per square inch (pressure).



Repair Parts – Cast Iron Jet Pumps

Key No.	Part Description	Qty.	5FLJ 5FL-L 1/2 HP	7FL 7FLJ 3/4 HP
1	Motor, 115/230V	1	A100CLL	A100DLL
2	Water Slinger	1	17351-0009	17351-0009
3	Seal Plate	1	N3-9	N3-9
4	Seal Plate Gasket	1	N20-35	N20-35
5	Shaft Seal	1	U109-6A	U109-6A
6	Impeller	1	J105-40P	J105-86P
7	Diffuser	1	L1-25P	L1-48P
8	Barbed Fitting – Straight	1	U111-211T	U111-211T
9	Priming Plug (5FL-L)	1	U78-60CT	–
10	Pressure Gauge	1	U239-3	U239-3
11	Control Valve Assembly	1	01322	01322
12	Pump Body (5FL-L)	1	L78-48A	–
12	Pump Body (5FLJ, 7FL, 7FLJ)	1	L76-44	L76-44
13	Drain Plug	1	U78-941ZPV	U78-941ZPV
14	Pipe Plug	1	U78-56ZPS	U78-56ZPS
15	Diffuser Gasket	1	L21-1	L21-1
16	3/8-16x1-1/2" Capscrews	4	U30-75ZP	U30-75ZP
17	Base	1	J104-9	J104-9
18	Motor Pad	1	C35-5	C35-5
19	Switch Tube	1	U37-672P	U37-672P
20	Barbed Fitting – Elbow	1	U111-212T	U111-212T
21	Pressure Switch†	1	J198-9	J198-9
22	Lock Nut	1	U36-112ZP	U36-112ZP
23	Connector	1	L43-5C	L43-5C
•	Ejector Package (-J Models only)	1	J198-26	J198-27

† Includes fittings.

Symptoms	Things to Do:
A. Motor will not run.	<p>A. Check that the disconnect switch is ON and that the circuit breaker has not tripped or the fuse has not blown.</p> <p>DISCONNECT POWER and make sure that wires connecting motor to power supply and pressure switch are tight and correctly connected (see Page 6).</p> <p>If the remedies above do not solve the problem, call your well professional.</p>
B. Motor runs hot and overload trips.	<p>B. Turn to electrical instructions on Page 6 and verify that motor is correctly wired.</p> <p>Check with the power company or hydro authority to make sure that the voltage at the pump is within $\pm 10\%$ of the motor's rated nameplate voltage.</p> <p>DISCONNECT POWER and make sure that the wires connecting the motor to the power supply are sized according to Table I, Page 5.</p> <p>If not, rewire according to the instructions on Page 6.</p> <p>If the pump is cycling too frequently, see Section E, below.</p>
C. Motor runs but no water is delivered.	<p>C. FIRST, check the prime; that is, make sure that the pump and all the suction piping plus the piping in the well are full of water. If they aren't, fill them up.</p> <p>In cold weather, make sure that the pipes and pump are not frozen. If they are, thaw them, watching out for split pipes and fittings as you work. Heat the pump pit or pump house and bury all piping below the frost line.</p> <p>Other possible causes (call your pump professional if you suspect one of these): Air leaks in the suction line, dropping water level in the well, foot valve stuck or plugged, ejector plugged, impeller plugged, foot valve or strainer stuck in the mud in the bottom of the well, a shallow well pump installed on a well with more than 25 ft depth to water (in this case a deep well jet pump is needed).</p>
D. Pump does not deliver water to full capacity.	<p>D. Possible causes are: the well water level is lower than estimated, making a different nozzle/venturi combination necessary; steel piping (if used) is corroded or limed, restricting capacity and increasing friction; or the piping is too small for the installation. Consult your well professional for any of these conditions.</p>
E. Pump cycles too frequently or does not shut off at all.	<p>E. Make sure no faucets have been left open.</p> <p>If system has a standard tank, make sure it isn't waterlogged. If it is, drain it down to the level of the air volume control. Make sure the AVC isn't defective and that there are no leaks at any connections.</p> <p>If system has a precharged tank, disconnect power, open all system faucets and bleed all pressure off of tank. Use a tire gauge to check the air pressure in the tank. This should be lower than the cut-in setting of the pressure switch by 2 PSI (that is, if the pressure switch starts the pump at 30 PSI, the precharge should be 28 PSI). Check the air valve for leaks (use a soap solution) and replace the core if necessary.</p> <p>If you suspect any of the following conditions, consult your well professional: leaky pipes, leaky foot valve, water level in the well lower than estimated, clogged ejector or impeller.</p>
F. Air spurts from faucets.	<p>F. Pump may still be priming; when priming is complete all air will have been ejected from the system.</p> <p>If you suspect leaks in the suction piping, gasses in the well, or that the pump is intermittently overpumping the well (that is, drawing the water level down below the foot valve), consult your well professional.</p>

Limited Warranty

BERKELEY warrants to the original consumer purchaser (“Purchaser” or “You”) of the products listed below, that they will be free from defects in material and workmanship for the Warranty Period shown below.

Product	Warranty Period
Water Systems:	
Water Systems Products — jet pumps, small centrifugal pumps, submersible pumps and related accessories	whichever occurs first: 12 months from date of original installation, or 18 months from date of manufacture
Pro-Source™ Composite Tanks	5 years from date of original installation
Pro-Source™ Steel Pressure Tanks	5 years from date of original installation
Pro-Source™ Epoxy-Lined Tanks	3 years from date of original installation
Sump/Sewage/Effluent Products	12 months from date of original installation, or 18 months from date of manufacture
Agricultural/Commercial:	
Centrifugals – close-coupled motor drive, frame mount, SAE mount, engine drive, VMS, SSCX, SSHM, solids handling, submersible solids handling	12 months from date of original installation, or 24 months from date of manufacture
Submersible Turbines, 6” diameter and larger	12 months from date of original installation, or 24 months from date of manufacture

Our limited warranty will not apply to any product that, in our sole judgement, has been subject to negligence, misapplication, improper installation, or improper maintenance. Without limiting the foregoing, operating a three phase motor with single phase power through a phase converter will void the warranty. Note also that three phase motors must be protected by three-leg, ambient compensated, extra-quick trip overload relays of the recommended size or the warranty is void.

Your only remedy, and BERKELEY’s only duty, is that BERKELEY repair or replace defective products (at BERKELEY’s choice). You must pay all labor and shipping charges associated with this warranty and must request warranty service through the installing dealer as soon as a problem is discovered. No request for service will be accepted if received after the Warranty Period has expired. This warranty is not transferable.

BERKELEY SHALL NOT BE LIABLE FOR ANY CONSEQUENTIAL, INCIDENTAL, OR CONTINGENT DAMAGES WHATSOEVER.

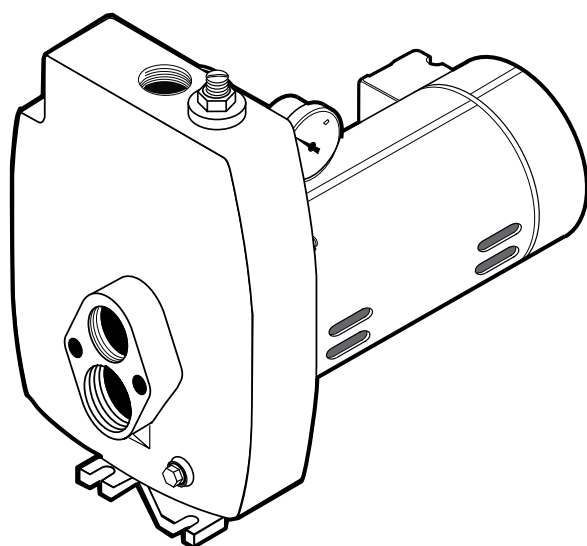
THE FOREGOING LIMITED WARRANTIES ARE EXCLUSIVE AND IN LIEU OF ALL OTHER EXPRESS AND IMPLIED WARRANTIES, INCLUDING BUT NOT LIMITED TO IMPLIED WARRANTIES OF MERCHANTABILITY AND FITNESS FOR A PARTICULAR PURPOSE. THE FOREGOING LIMITED WARRANTIES SHALL NOT EXTEND BEYOND THE DURATION PROVIDED HEREIN.

Some states do not allow the exclusion or limitation of incidental or consequential damages or limitations on the duration of an implied warranty, so the above limitations or exclusions may not apply to You. This warranty gives You specific legal rights and You may also have other rights which vary from state to state.

This Limited Warranty is effective June 1, 2011 and replaces all undated warranties and warranties dated before June 1, 2011.

In the U.S.: BERKELEY, 293 Wright St., Delavan, WI 53115
In Canada: 269 Trillium Dr., Kitchener, Ontario N2G 4W5

This page intentionally left blank

BERKELEY®**5FL-L, 5FLJ, 7FL, 7FLJ****Installation/Fonctionnement/Pièces**

Pour plus de renseignements concernant l'utilisation, l'installation ou l'entretien,

Composer le 1 (888) 782-7483

LIRE TOUTES CES INSTRUCTIONS ET LES SUIVRE!

⚠ Ce symbole indique qu'il faut être prudent. Lorsque ce symbole apparaît sur la pompe ou dans cette Notice, rechercher une des mises en garde qui suivent, car elles indiquent un potentiel possible de blessures corporelles :

⚠ DANGER avertit d'un danger qui causera des blessures corporelles, la mort ou des dommages matériels importants si on l'ignore.

⚠ AVERTISSEMENT avertit d'un danger qui risque de causer des blessures corporelles, la mort ou des dommages matériels importants si on l'ignore.

⚠ ATTENTION avertit d'un danger qui causera ou qui risquera de causer des blessures corporelles, la mort ou des dommages matériels importants si on l'ignore.

Le mot **NOTA** indique des instructions spéciales et importantes n'ayant aucun rapport avec les dangers.

Lire attentivement toutes les consignes de sécurité contenues dans cette Notice ou collées sur la pompe.

Garder les autocollants de sécurité en bon état; les remplacer s'ils manquent ou s'ils ont été endommagés.

Avertissement lié à la Proposition 65 de la Californie

⚠ AVERTISSEMENT Ce produit et les accessoires connexes contiennent des produits chimiques reconnus dans l'État de la Californie comme pouvant provoquer des cancers, des anomalies congénitales ou d'autres dangers relatifs à la reproduction.

⚠ AVERTISSEMENT



Tension dangereuse. Risque de secousses électriques, de brûlures, voire de mort.

Mettre à la terre la pompe avant de la brancher sur le courant électrique. Couper l'arrivée de courant avant d'intervenir sur la pompe, sur le moteur ou sur le réservoir.

⚠ Câbler le moteur en fonction de la bonne tension. Voir la Section «Électricité» de cette Notice et la plaque signalétique du moteur.

⚠ Mettre à la terre le moteur avant de le brancher sur le courant électrique.

⚠ Conforme au Code national de l'électricité, au Code canadien de l'électricité et aux codes municipaux pour tous les câblages.

⚠ Respecter les instructions de câblage figurant dans cette Notice lorsque l'on branche le moteur sur une ligne haute tension.

SÉCURITÉ CONCERNANT L'ÉLECTRICITÉ

⚠ AVERTISSEMENT La tension du condensateur peut être dangereuse. Pour décharger le condensateur du moteur, tenir un tournevis à manche isolé **PAR LE MANCHE** et mettre en court-circuit les bornes du condensateur. Ne pas toucher la lame métallique du tournevis ni les bornes du condensateur. En cas de doute, consulter un électricien qualifié.

SÉCURITÉ GÉNÉRALE

⚠ ATTENTION Ne pas toucher un moteur qui fonctionne. Les moteurs modernes sont conçus pour fonctionner par des températures élevées. Pour ne pas se brûler lorsque l'on interviendra sur la pompe, la laisser refroidir pendant 20 minutes après l'avoir arrêtée avant de la toucher.

Ne pas laisser geler la pompe ni aucun autre élément du système, sinon la garantie sera annulée.

Ne pomper que de l'eau avec cette pompe.

Périodiquement, inspecter la pompe et tous les éléments du système.

Toujours porter des lunettes de sécurité lorsque l'on intervient sur une pompe.

Garder la zone de travail propre, non encombrée et bien éclairée; tous les outils et tout l'équipement non utilisés doivent être entreposés correctement.

Ne pas laisser les visiteurs s'approcher de la zone de travail.

⚠ AVERTISSEMENT Le corps de la pompe peut exploser si la pompe est utilisée en tant que pompe de surpression, à moins qu'une soupape de sûreté pouvant laisser passer le débit maximum de la pompe à 75 lb/po² soit posée.



⚠ AVERTISSEMENT

Pression dangereuse!
Poser une soupape de sûreté sur le tuyau de refoulement.

Dissiper toute la pression du système avant d'intervenir sur un élément.

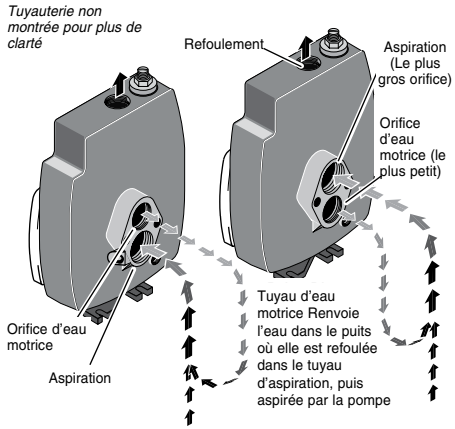


Figure 1 : Fonctions eau motrice et aspiration

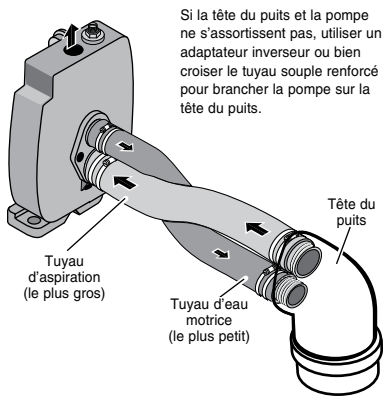


Figure 2 : Branchement inversé dans le puits

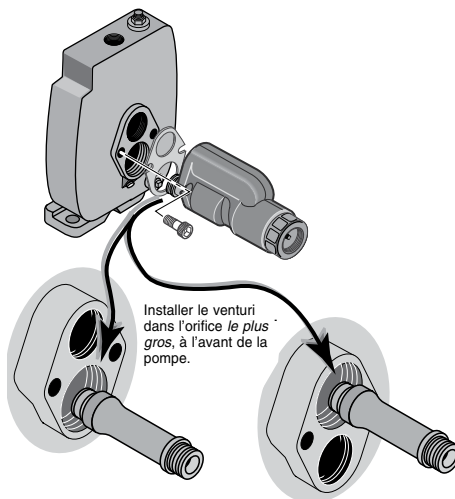


Figure 3 : Montage de l'éjecteur - puits peu profonds

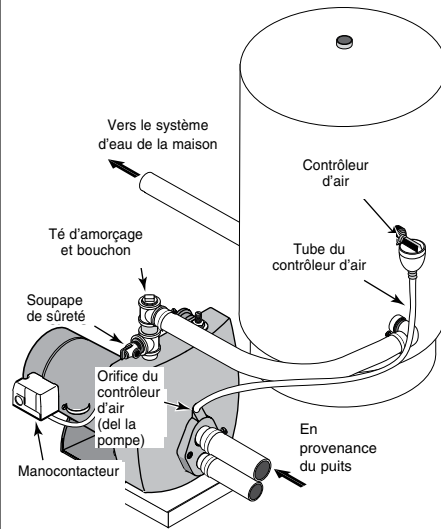


Figure 4 : Installations typiques dans un puits profond (Profondeur de plus de 25 pieds (7,5 m) jusqu'à l'eau pendant que la pompe fonctionne.)

1834 0695

«Deux tuyaux»
(puits de 4 po de dia.
et plus grand)

«Un seul tuyau»
(puits de 2
et 3 po)

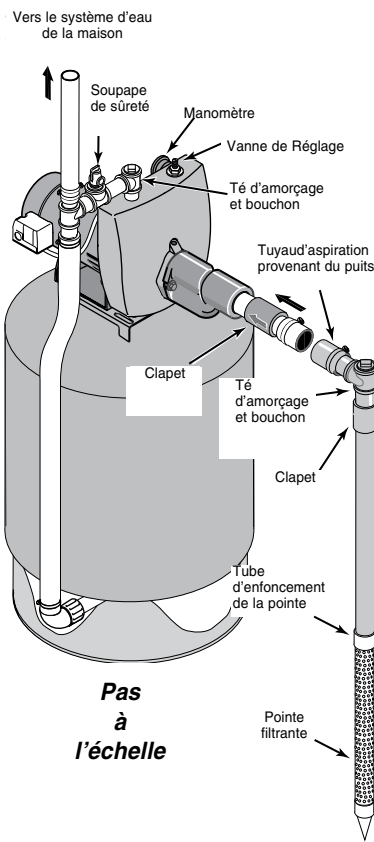
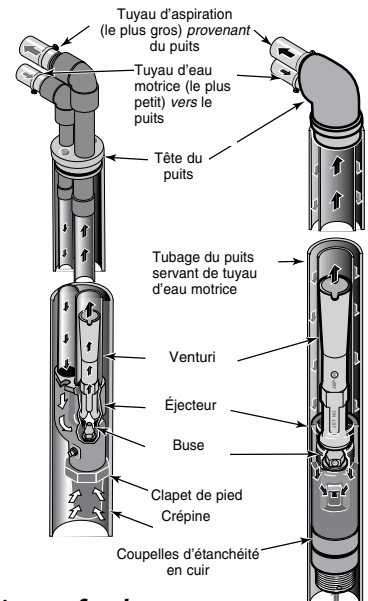
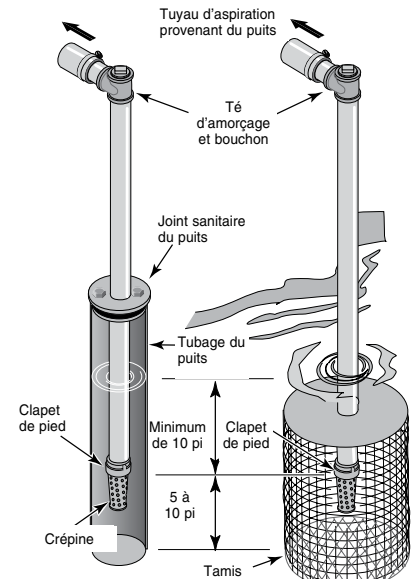


Figure 5 : Installations typiques dans un puits peu profond (Profondeur de moins de 25 pieds (7,5 m) jusqu'à l'eau pendant que la pompe fonctionne.)

2319 0296

Puits à tubage

Eau à ciel ouvert



1836 0695

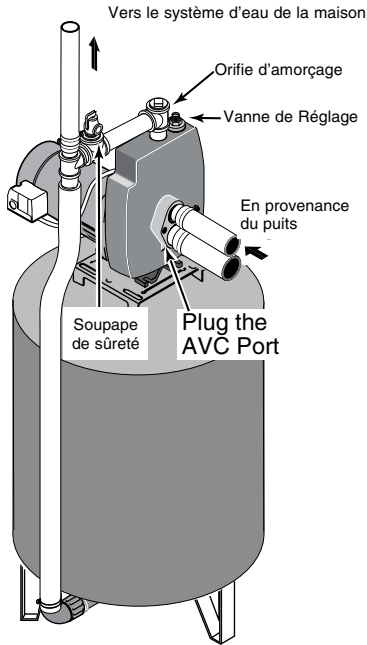


Figure 6 : Branchements sur un réservoir préchargé

BRANCHEMENT SUR UN RÉSERVOIR PRÉCHARGÉ (Figure 6)

Si le système est branché sur un réservoir préchargé, il devra être branché sur la pompe, comme il est illustré à la Figure 6. La soupape de sûreté doit pouvoir laisser passer tout le débit de la pompe à une pression de 100 lb/po².

Vérifier la précharge d'air dans le réservoir avec un manomètre pour pneu. La précharge se mesure *lorsque le réservoir n'est pas sous pression d'eau*. Couper le courant électrique parvenant à la pompe et vider le réservoir avant de vérifier la précharge. Cette pompe neuve est équipée d'un manomètre de 30-50 lb/po²; la pression de précharge du réservoir devra donc être réglée à 28 lb/po², ce qui représente 2 lb/po² de moins que le réglage de la pression d'enclenchement du manomètre de la pompe.

Aucun contrôleur d'air n'est requis dans le cas d'un réservoir préchargé; l'orifice de 1/8 de pouce NPT prévu pour le contrôleur d'air et pratiqué dans le corps de la pompe devra être bouché.

BRANCHEMENT SUR UN RÉSERVOIR STANDARD (Figure 7)

Si le système est branché sur un réservoir standard, le brancher sur la pompe comme il est illustré à la Figure 7. La soupape de sûreté utilisée avec un réservoir standard doit pouvoir laisser passer tout le débit de la pompe à une pression de 75 lb/po².

Brancher le tube du contrôleur d'air sur l'orifice de 1/8 de pouce NPT pratiqué dans le corps de la pompe. Amener le tube de l'orifice du contrôleur d'air de la pompe jusqu'au contrôleur d'air monté sur le réservoir. Pour plus de détails, se reporter aux instructions fournies avec le réservoir et le contrôleur d'air.

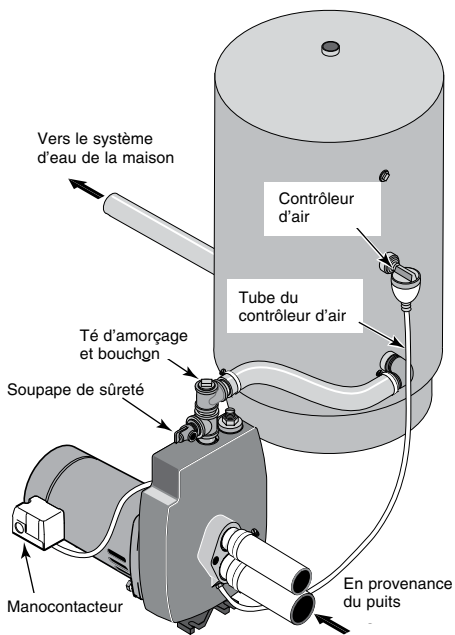


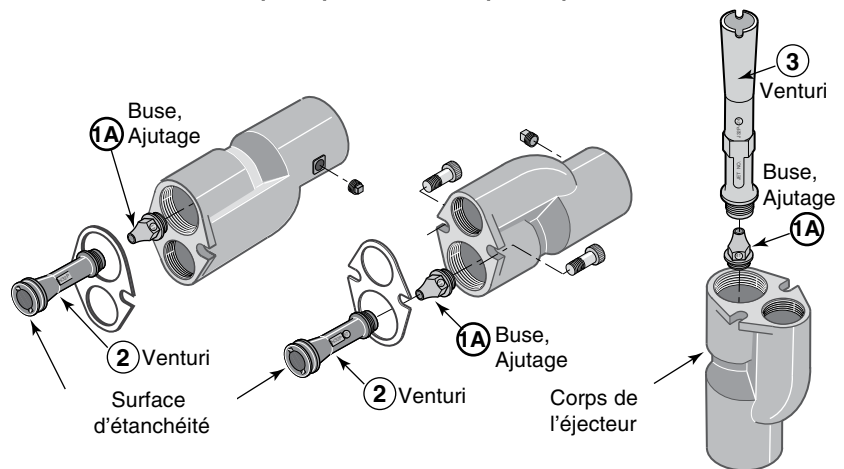
Figure 7 : Branchements sur un réservoir standard

Étanchéité des raccords des tuyaux

Effectuer tous les raccordements filetés à la pompe seulement avec du ruban d'étanchéité en PTFE pour filetage. **Ne pas utiliser de pâte pour raccords filetés sur les pompes en plastique** : cette pâte peut réagir avec les éléments en plastiques de la pompe. S'assurer que tous les raccords du tuyau d'aspiration sont bien étanches, aussi bien à l'air qu'à l'eau.

Si le tuyau d'aspiration aspire de l'air, la pompe ne pompera pas l'eau du puits.

Installation de l'ensemble d'éjecteur
Puits peu profond ou puits profond



Installation dans un puits peu profond
Montage direct sur la pompe

Installation dans un puits profond
Montage dans le puits

L'ensemble d'éjecteur comprend un venturi pour puits peu profond (Réf. 2) et un venturi pour puits profond (Réf. 3). Se reporter à la Figure 5 pour déterminer les conditions de pompage, puis poser le venturi approprié dans le corps de l'éjecteur (Réf. 1). L'ajutage (Réf. 1A) est livré préassemblé dans le corps de l'éjecteur et fonctionne aussi bien avec les venturis pour puits peu profonds que pour puits profonds.

NOTA : Si l'on installe un venturi pour puits peu profond, ne pas endommager la surface d'étanchéité (voir le schéma), sinon des fuites internes se produiront.

⚠ Débrancher le courant électrique avant d'intervenir sur la pompe, le moteur, le manostat ou le câblage.

La plaquette de connexions du moteur (qui se trouve sous le couvercle d'extrémité du moteur) et du manostat ressemblera à une de celles illustrées ci-dessous. Convertir au 115 volts comme il est illustré. Ne pas modifier le câblage du moteur si

la tension est de 230 volts ou si le moteur ne fonctionne que sur une tension. Brancher la tension comme il est illustré en fonction du type de manostat et de la tension d'alimentation.

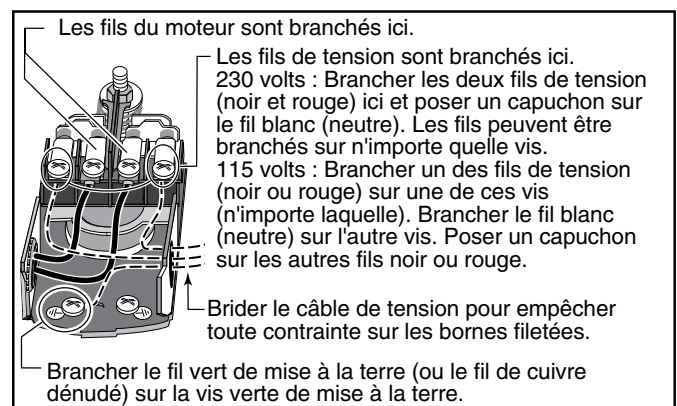
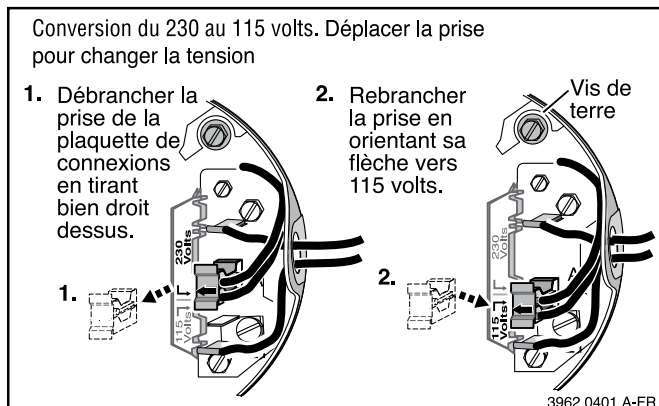
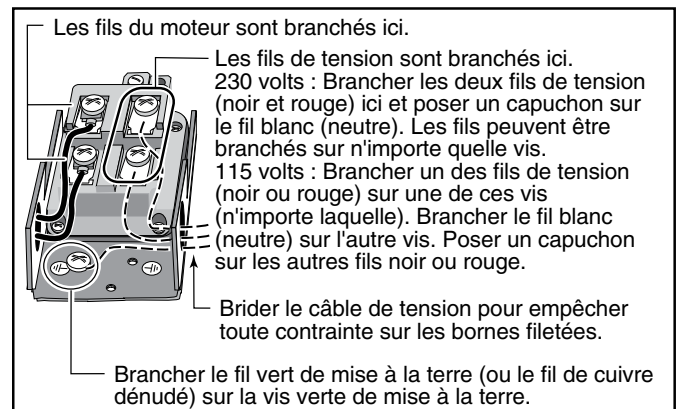
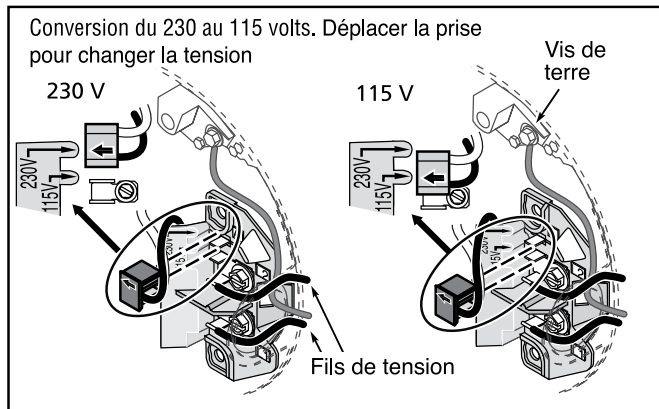


Figure 8 : Connexion des fils du moteur sur le manostat. Faire correspondre la tension du moteur à celle de la tension de ligne.

⚠ WARNING Tension dangereuse. Risque de secousses électriques, de brûlures, voire la mort. Brancher le fil de terre avant de brancher les fils de tension. Utiliser des fils de calibre spécifié (y compris le fil de terre) dans le tableau de câblage. Dans la mesure du possible, brancher la pompe sur un circuit séparé, sur lequel aucun autre appareil ne sera branché.

⚠ WARNING Risque d'explosion. Ne pas mettre à la terre sur une conduite de gaz.

CONNEXIONS DES FILS

⚠ WARNING Risque d'incendie. L'utilisation d'une mauvaise tension risque de causer un incendie ou d'endommager gravement le moteur et d'annuler la garantie. La tension d'alimentation doit correspondre à $\pm 10\%$ de la tension figurant sur la plaque signalétique du moteur.

NOTA : Les moteurs bi-tension sont câblés à l'usine pour fonctionner sur le 230 volts. Au besoin, recâbler le moteur pour qu'il fonctionne sur le 115 volts, comme il est illustré. Ne pas modifier le câblage des moteurs fonctionnant sur une tension.

Cette pompe doit être installée, mise à la terre, câblée et entretenue conformément au National Electrical Code (NEC) des États-Unis ou au Code canadien de l'électricité (CCE) selon le

cas, et à tous les codes et décrets de la municipalité qui s'appliquent. S'adresser à un inspecteur de la construction pour plus de renseignements concernant les codes.

Méthodes de connexion :

- 1 ° Brancher tout d'abord le fil de mise à la terre, comme il est illustré à la Figure 8. Le fil de mise à la terre doit être un fil de cuivre massif d'un diamètre au moins aussi gros que le diamètre des fils de tension.
- 2 ° Il doit y avoir un raccordement en métal solide entre le manostat et le moteur pour une protection à la terre du moteur. Si le manostat n'est pas branché sur le moteur, brancher la vis verte de mise à la terre du manostat sur la vis verte de mise à la terre qui se trouve sous le couvercle du moteur. Utiliser un fil de cuivre massif ayant un diamètre au moins aussi gros que celui des fils de tension.
- 3 ° Brancher le fil de mise à la terre sur le fil de mise à la terre du tableau de distribution, sur un tuyau métallique d'eau enterré, sur le tubage d'un puits en métal ayant au moins 10 pieds (3 mètres) de long, ou sur une électrode de mise à la terre que fournira la compagnie d'électricité.
- 4 ° Brancher les fils de tension sur le manostat, comme il est illustré à la Figure 8.

Tableau I : Câblage - Câbles et diamètres des fusibles recommandés

Modèle	ch	Charge max. en ampères	Fusible Intensité en ampères	Distance en pieds (mètres); Diamètre de fils - calibre AWG (mm ²)				
				0-100 (0-30)	101-200 (31-61)	201-300 (62-91)	301-400 (92-122)	401-500 (123-152)
5FL-L	1/2	9,4/4,7	15/15	14/14(2/2)	10/14(5,5/2)	10/14(5,5/2)	6/14(14/2)	6/12(14/3)
5FLJ	1/2	8,8/4,4	15/15	14/14(2/2)	12/14(3/2)	10/14(5,5/2)	8/14(8,4/2)	8/12(8,4/3)
7FL, 7FLJ	3/4	12,2/6,1	20/15	12/14(3/2)	10/14(5,5/2)	8/14(8,4/2)	6/12(14/3)	6/12(14/3)

Préparations avant le démarrage de la pompe - Puits profond

Ouvrir la vanne de réglage au maximum et faire le plein de la pompe et des tuyauteries par l'orifice d'amorçage ou le té d'amorçage.

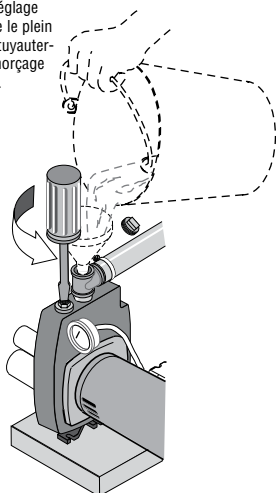
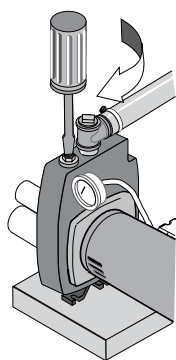


Figure 9 : Remplissage de la pompe



Reposer tous les bouchons de remplissage et bien fermer la vanne de réglage.

Figure 10 : Amorçage de la pompe

⚠ AVERTISSEMENT Ne jamais faire fonctionner la pompe contre un refoulement fermé, sinon l'eau risque de bouillir à l'intérieur de la pompe, une accumulation dangereuse de pression risque de se produire, un danger d'explosion risque de s'ensuire et les personnes qui manipuleront la pompe pourront peut-être être ébouillantées.

⚠ ATTENTION Ne jamais faire fonctionner la pompe à sec. Faire fonctionner la pompe sans eau risque de causer une surchauffe de la pompe, d'endommager les joints et, possiblement, causer des brûlures aux personnes qui manipuleront la pompe. Faire le plein d'eau de la pompe avant de la démarrer.

- 1 ° Ouvrir au maximum la vanne de réglage (voir la Figure 9), déposer le bouchon d'amorçage de la pompe, puis faire le plein de la pompe, de toutes les tuyauteries entre la pompe et le puits et s'assurer que toutes les tuyauteries du puits sont pleines d'eau. Si un té d'amorçage a été posé sur le tuyau d'aspiration, déposer le bouchon du té et faire le plein de la tuyauterie d'aspiration.
- 2 ° **Puits Profond** : Reposer tous les bouchons de remplissage et fermer complètement la vanne de réglage (voir la Figure 10).
Puits Peu Profond : Laisser la vanne de réglage ouverte (dans les installations pour puits peu profonds, la vanne de réglage reste toujours ouverte).
- 3 ° Établir le courant! Démarrer la pompe et surveiller le manomètre.
Puits Profond : Au fur et à mesure que la pompe s'amorce, la pression doit rapidement monter jusqu'à 50 lb/po².
Puits Peu Profond : La pompe doit pomper l'eau dans les deux ou trois minutes qui suivent.
- 4 ° Après 2 ou 3 minutes, le manomètre doit indiquer la pression. Sinon, arrêter la pompe, déposer les bouchons de remplissage, rouvrir la vanne de réglage et refaire le plein de la pompe et des tuyauteries. Il sera peut-être nécessaire de répéter cette opération deux ou trois fois de façon à chasser tout l'air pouvant être emprisonné dans les tuyauteries. Ne pas oublier de refermer la vanne de réglage avant de redémarrer la pompe.

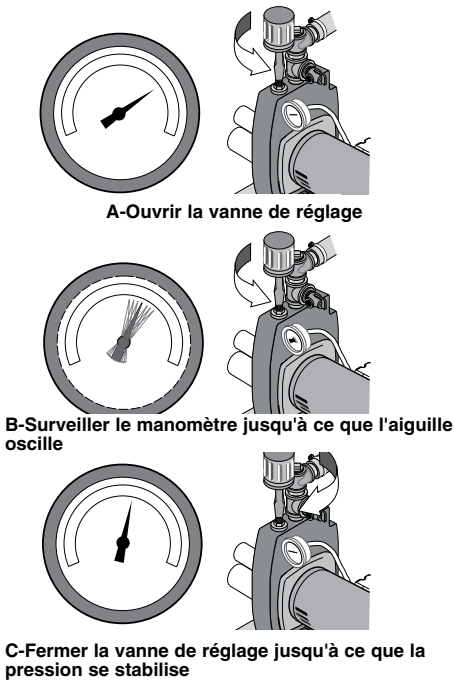


Figure 11 : Régler la vanne de réglage

- 5 ° **Puits Profond Seulement:** Lorsque la pression s'est accumulée et stabilisée à environ 50 lb/po², ouvrir lentement la vanne de réglage (voir la Figure 11) et laisser chuter la pression jusqu'à ce que l'aiguille du manomètre commence à osciller. Pendant que l'aiguille oscille, fermer suffisamment la vanne de réglage pour arrêter l'aiguille d'osciller (voir la Figure 11). La pompe fonctionne maintenant à son point le plus efficace.
- 6 ° Après que la pression se sera accumulée dans le système et que la pompe se sera arrêtée, vérifier le fonctionnement du manocontacteur en ouvrant un ou deux robinets du système; laisser couler suffisamment d'eau pour dissiper la pression jusqu'à ce que la pompe redémarre. La pompe doit redémarrer lorsque la pression chute à 30 lb/po² et s'arrêter lorsque la pression atteint 50 lb/po². Faire fonctionner la pompe pendant un ou deux cycles complets pour confirmer son bon fonctionnement. Ceci permettra également de nettoyer le système de toute la saleté et de tout le tartre qui se seront détachés pendant l'installation.

NOTA : À cause des irrégularités normales du cuir du joint de la coupelle et des parois intérieures du carter, les éjecteurs ne forment pas un joint parfait. Dans le cas d'un système qui ne fonctionne pas souvent, la pression fuira avec le temps, et la pompe cyclera périodiquement pour maintenir la bonne pression dans le système.

TABLEAU II – Tableau de rendement avec des puits profonds de 4 po à deux tuyaux et des éjecteurs ensemble d'éjecteur BK4800

Mètres jusqu'à l'eau	Modèle 5FL-L, 5FLJ 1/2 de ch				Modèle 7FL, 7FLJ 3/4 de ch			
	Pression en lb/po ²				Pression en lb/po ²			
	20	30	40	50	20	30	40	50
	L/h avec venturi J32P-24 et ajutage n° 51				L/h avec venturi J32P-32 et ajutage n° 55			
9	1 987	1 476	927	454	3 406	2 612	1 590	568
12	1 703	1 192	719	291	2 649	2 044	492	–
	L/h avec venturi J32P-24 et ajutage n° 51				L/h avec venturi J32P-24 et ajutage n° 51			
15	1 476	927	454	–	1 892	1 457	908	454
18	1 135	662	265	–	1 552	1 135	681	227
21	–	–	–	–	1 268	908	416	–
24	–	–	–	–	908	568	170	–
27	–	–	–	–	–	–	–	–

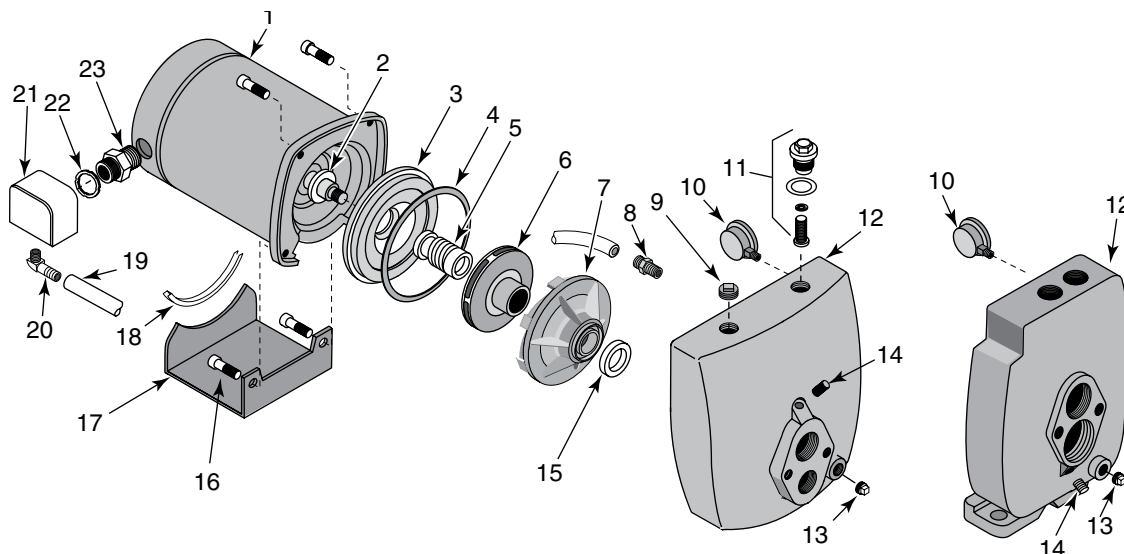
TABLEAU III – Tableau de rendement avec des puits profonds de 2 po à un seul tuyau et des éjecteurs - ensemble d'éjecteur BK4830 et BK4840

Mètres jusqu'à l'eau	Modèle 5FL-L, 5FLJ 1/2 de ch				Modèle 7FL, 7FLJ 3/4 de ch			
	Pression en lb/po ²				Pression en lb/po ²			
	20	30	40	50	20	30	40	50
	L/h avec venturi J32P-24 et ajutage n° 54				L/h avec venturi J32P-32 et ajutage n° 55			
9	2 195	1 590	984	473	3 406	2 498	1 514	530
12	1 836	1 230	681	182	2 725	1 968	984	–
	L/h avec venturi J32P-18 et ajutage n° 52				L/h avec venturi J32P-18 et ajutage n° 52			
15	1 041	814	587	379	1 079	889	700	530
18	852	662	454	250	946	757	587	435
21	719	511	341	159	814	643	473	303
24	–	–	–	–	681	511	360	–
27	–	–	–	–	568	397	–	–
30	–	–	–	–	454	303	–	–
33	–	–	–	–	–	–	–	–

TABLEAU IV – Tableau de rendement avec des puits peu profonds et des éjecteurs - ensemble d'éjecteur BK4855

Mètres jusqu'à l'eau	Modèle 5FL-L, 5FLJ 1/2 de ch				Modèle 7FL, 7FLJ 3/4 de ch			
	Pression en lb/po ²				Pression en lb/po ²			
	20	30	40	50	20	30	40	50
	L/h avec venturi N32P-66B et ajutage n° 45				L/h avec venturi N32P-75B et ajutage n° 51			
1,5	2 033	2 033	1 775	946	3 240	3 240	3 145	1 703
3	2 033	2 033	1 635	871	2 979	2 979	2 896	1 567
4,6	1 628	1 628	1 419	757	2 593	2 593	2 517	1 363
6	1 382	1 382	1 207	643	2 203	2 203	2 139	1 158
7,6	1 223	1 223	1 067	568	1 942	1 942	1 885	1 022

NOTA : lb/po² = livres par pouce carré.



Pièces de rechange - pompes en fonte à éjecteur

Réf.	Description	Qté	5FLJ 5FL-L 1/2 Ch	7FL 7FLJ 1/2 Ch
1	Moteur, 115/230V	1	A100CLL	A100DLL
2	Défecteur d'eau	1	17351-0009	17351-0009
3	Plaque d'étanchéité	1	N3-9	N3-9
4	Joint de plaque d'étanchéité	1	N20-35	N20-35
5	Joint d'arbre	1	U109-6A	U109-6A
6	Impulseur	1	J105-40P	J105-86P
7	Diffuseur	1	L1-25P	L1-48P
8	Raccord cannelé - droit	1	U111-211T	U111-211T
9	Bouchon d'amorçager (5FL-L)	1	U78-60CT	-
10	Manomètre	1	U239-3	U239-3
11	Vanne de réglage	1	01322	01322
12	Corps de la pompe (5FL-L)	1	L76-48A	-
12	Corps de la pompe (5FLJ, 7FL, 7FLJ)	1	L76-44	L76-44
13	Bouchon de vidange	1	U78-941ZPV	U78-941ZPV
14	Bouchon fileté	1	U78-56ZPS	U78-56ZPS
15	Joint de diffuseur	1	L21-1	L21-1
16	Vis à tête de 3/8-16x1-1/2 po	4	U30-75ZP	U30-75ZP
17	Socle	1	J104-9	J104-9
18	Support du motor	1	C35-5	C35-5
19	Tube de manocontacteur	1	U37-672P	U37-672P
20	Raccord cannelé - coude	1	U111-212T	U111-212T
21	Manocontacteur†	1	J198-9	J198-9
22	Contre-écrou	1	U36-112ZP	U36-112ZP
23	Raccord	1	L43-5C	L43-5C
•	Ensembles d'éjecteur (-J modèles seulement)	1	J198-26	J198-27

† Y compris les raccords.

Symptômes	Quoi faire :
A. Le moteur ne tourne pas.	A. S'assurer que le sectionneur est sur MARCHE et que le disjoncteur ne s'est pas désenclenché ou que le fusible n'a pas sauté. COUPER LE COURANT D'ALIMENTATION et s'assurer que tous les fils raccordant le moteur au courant d'alimentation et au manocontacteur sont bien serrés et bien branchés (voir la page 16). Si les remèdes précédents ne permettent pas de résoudre le problème, appeler un spécialiste en puits.
B. Le moteur chauffe et le dispositif de protection contre les surcharges saute.	B. Se reporter aux instructions concernant l'électricité à la page 16 et s'assurer que le moteur est bien câblé. Vérifier auprès de la compagnie qui fournit l'électricité ou les responsables d'hydro pour s'assurer que la tension parvenant à la pompe correspondent à $\pm 10\%$ de la tension nominale indiquée sur la plaque signalétique du moteur. DÉBRANCHER LE COURANT D'ALIMENTATION et s'assurer que les fils raccordant le moteur au courant d'alimentation sont du calibre indiqué au Tableau I, de la page 15. Sinon, recâbler conformément aux instructions de la page 16. Si la pompe s'arrête ou redémarre trop fréquemment, se reporter à la Section E ci-dessous.
C. Le moteur fonctionne mais l'eau n'est pas pompée*.	C. TOUT D'ABORD, vérifier l'amorçage; c'est-à-dire, que la pompe et que toutes les tuyauteries d'aspiration et du puits sont remplies d'eau. Si elles ne sont pas pleines d'eau, en faire le plein. Par temps froid, s'assurer que les tuyaux et que la pompe n'ont pas gelé. S'ils sont gelés, les dégeler, s'assurer qu'il n'y a pas de tuyaux ni de raccords éclatés. Chauffer la fosse de la pompe ou l'enceinte de la pompe et enterrer toutes les tuyauteries sous la limite du gel. Autres causes possibles (dans ce cas, appeler un spécialiste en pompes si l'on soupçonne une de ces causes) : Prises d'air dans la conduite d'aspiration, baisse de niveau d'eau dans le puits, clapet de pied grippé ou bouché, éjecteur bouché, impulseur bouché, clapet de pied ou crépine enfoui dans la boue au fond du puits et pompe pour puits peu profond posée dans un puits dont la profondeur est supérieure à 25 mètres jusqu'à l'eau (dans ce cas, une pompe à éjecteur pour puits profond est requise).
D. La pompe ne pompe pas l'eau à pleine capacité.	D. Causes possibles : Le niveau d'eau dans le puits est inférieur à celui évalué, ce qui rend une combinaison buse/venturi différente obligatoire; tuyauterie en acier (le cas échéant) corrodée ou entartrée, limitant la capacité et augmentant le frottement; ou bien les tuyauteries sont trop petites pour l'installation. Consulter un spécialiste en puits pour toutes ces conditions.
E. La pompe s'arrête et repart trop fréquemment ou bien elle ne s'arrête pas du tout.	E. S'assurer qu'aucun robinet n'a été laissé ouvert. Si le système fonctionne sur un réservoir standard, s'assurer qu'il n'est pas saturé d'eau. Dans l'affirmative, le vider jusqu'au niveau du contrôleur d'air. S'assurer que le contrôleur d'air n'est pas défectueux et qu'aucun raccord n'aspire de l'air. Si le système est branché sur un réservoir préchargé, couper le courant d'alimentation , ouvrir tous les robinets du système et purger toute la pression du réservoir. Utiliser un manomètre pour pneu pour vérifier la pression d'air dans le réservoir. Elle doit être de 2 lb/po ² inférieure au réglage d'enclenchement du manocontacteur, c'est-à-dire que si le manocontacteur démarre la pompe à 30 lb/po ² , la précharge doit être de 28 lb/po ² . S'assurer que la valve ne fuit pas (utiliser une solution savonneuse) et remplacer l'obus au besoin. Si l'on pense qu'une des conditions suivantes existent, consulter un spécialiste en puits : fuites des tuyauteries, fuites du clapet de pied, niveau d'eau dans le puits inférieur à celui évalué, éjecteur ou impulseur bouché.
F. L'air jaillit des robinets.	F. La pompe est peut-être en train de s'amorcer. Lorsque l'amorçage est terminé, tout l'air sera éjecté du système. Si l'on pense que les tuyauteries d'aspiration fuient, qu'il y a des gaz dans le puits, ou que la pompe vide le puits par intermittence (c'est-à-dire qu'elle amène le niveau d'eau plus bas que le clapet de pied, consulter un spécialiste en puits.

Garantie limitée

BERKELEY garantit au consommateur initial (ci-après appelé l'« Acheteur ») que les produits énumérés dans les présentes sont exempts de défaut de matériau et de fabrication pendant la durée des garanties à compter de la durée des garanties indiquées ci-dessous.

Produits	Durée des garanties
Systèmes d'eau :	
Produits de systèmes d'eau — Pompes à éjecteur, petites pompes centrifuges, pompes submersibles et tous les accessoires connexes	Selon le premier terme atteint : 12 mois à compter de la date de la première installation ou 18 mois à compter de la date de fabrication
Réservoirs composites Pro-Source™	5 ans à compter de la date de la première installation
Réservoirs sous pression en acier Pro-Source™	5 ans à compter de la date de la première installation
Réservoirs revêtus d'époxyde Pro-Source™	3 ans à compter de la date de la première installation
Produits de puisard/d'égout/d'effluents	12 mois à compter de la date de la première installation ou 18 mois à compter de la date de fabrication
Agricole/commercial :	
Centrifuges – entraînement par moteur monobloc, monté sur cadre, monté sur SAE, entraînement par moteur à combustion, multiétage vertical, SSCX, SSHM, pompes pour les matières solides, pompes submersibles pour les matières solides	12 mois à compter de la date de la première installation ou 24 mois à compter de la date de fabrication
Turbines submersibles, diamètre de 6 po et plus grand	12 mois à compter de la date de la première installation ou 24 mois à compter de la date de fabrication

Nos garanties limitée ne s'appliquent pas aux produits ayant fait l'objet de négligence, d'une mauvaise utilisation, d'une mauvaise installation ou d'un manque d'entretien adéquat. Sans aucune limitation des présentes, la garantie des moteurs triphasés submersibles sera nulle et non avenue si ces moteurs sont branchés et fonctionnent sur le courant monophasé par l'intermédiaire d'un déphaseur. Il faut également noter que les moteurs triphasés doivent être protégés par un relais de surcharge tripolaire thermocompensé à déclenchement extrêmement rapide du calibre recommandé, sinon la garantie sera nulle et non avenue.

Le seul recours de l'Acheteur et la seule responsabilité de BERKELEY consistent à réparer ou à remplacer (au choix de BERKELEY) les produits qui se révéleraient défectueux. L'Acheteur s'engage à payer tous les frais de main d'œuvre et d'expédition du produit couvert par sa garantie et de s'adresser au concessionnaire-installateur ayant procédé à l'installation dès qu'un problème est découvert pour obtenir un service sous garantie. Aucune demande de service en vertu de sa garantie ne sera acceptée après expiration de la durée de sa garantie. Ces garanties ne sont pas transférables.

BERKELEY DÉCLINE TOUTE RESPONSABILITÉ POUR TOUT DOMMAGE INDIRECT OU FORTUIT QUEL QU'IL SOIT.

LA GARANTIE LIMITÉE SUSMENTIONNÉE EST EXCLUSIVE ET REMPLACE TOUTES LES AUTRES GARANTIES EXPRESSES ET TACITES, Y COMPRIS, MAIS SANS S'Y LIMITER, LES GARANTIES DE QUALITÉ MARCHANDE ET D'ADAPTATION À UN USAGE PARTICULIER. LA GARANTIE LIMITÉE SUSMENTIONNÉE NE DOIT PAS ÊTRE PROLONGÉE AU-DELÀ DE LA DURÉE PRÉVUE AUX PRÉSENTES.

Certains états, territoires et certaines provinces ne permettent pas l'exclusion ou la limitation des dommages indirects ou fortuits, ni les limitations relatives à la durée des garanties tacites. Par conséquent, il se peut que les limitations ou les exclusions stipulées dans les présentes ne s'appliquent pas dans ce cas. Ces garanties accordent des droits juridiques précis, bien que l'on puisse bénéficier d'autres droits, selon la province, le territoire ou l'état dans lequel on réside.

La présente garantie limitée est entrée en vigueur le 1er juin 2011 et remplace toute garantie non datée ou antérieure à cette date.

Aux États-Unis : BERKELEY, 293 Wright St., Delavan, WI 53115
Au Canada : 269 Trillium Dr., Kitchener, Ontario N2G 4W5

