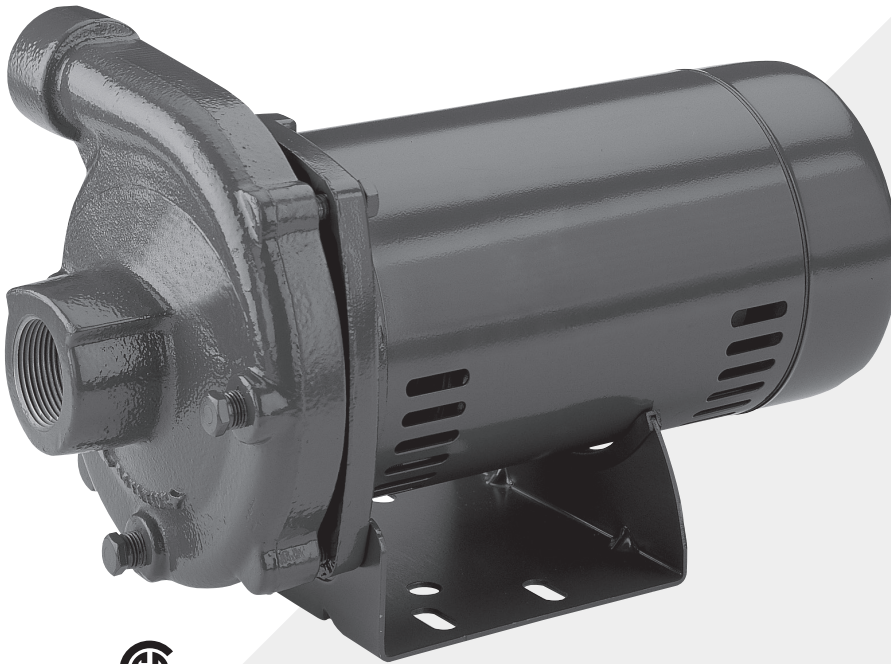


CP/CB Series

General Purpose Centrifugal Pumps



The CP/CB Series Pumps feature heavy-duty cast iron construction and are offered in high and medium head models, with Noryl® or silicon bronze impellers.

Applications

Water Systems and Sprinkling – for homes, farms, and industry

SPECIFICATIONS

Volute and Seal Plate: close-grained cast iron

Impellers: CP Series = Noryl; CB Series = silicon bronze

Base Plate: 12 gauge stamped steel

Motor Shaft: 300 series stainless steel

Mechanical Seal: Carbon ceramic faces, BUNA-N cup and bellows

SERIES FEATURES

1/2hp through 2-1/2hp: high head performance models, heavy-duty motors, easy serviceability, and four-position discharge

Drain Port: provided for easy winterizing

Performance Range, High Head Models: up to 150'+ of head, with capacities to over 100 gpm.

Performance Range, Medium Head Models: up to 100'+ of head, with capacities to over 110 gpm.

Easy Serviceability: all models feature a replaceable wear ring, and a back pull-out design

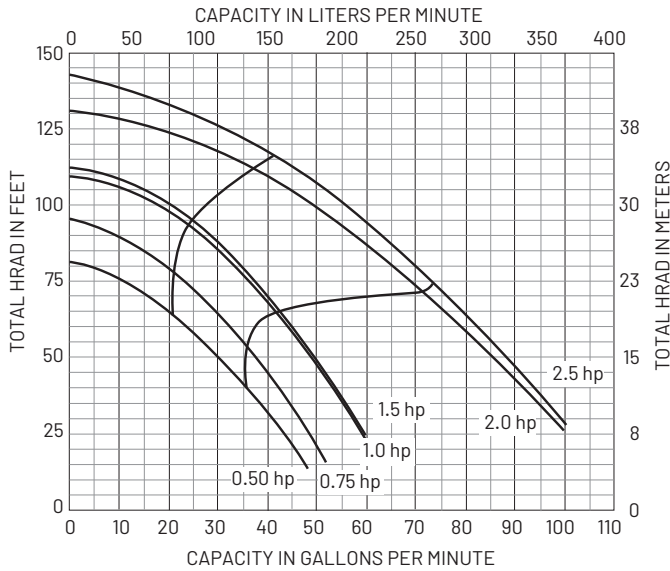
CP Series - Noryl Impellers: abrasion resistant for normal applications and working temperatures to 140 F

CB Series - Silicon Bronze Impellers: include shaft seals rated for working temperatures to 225 F

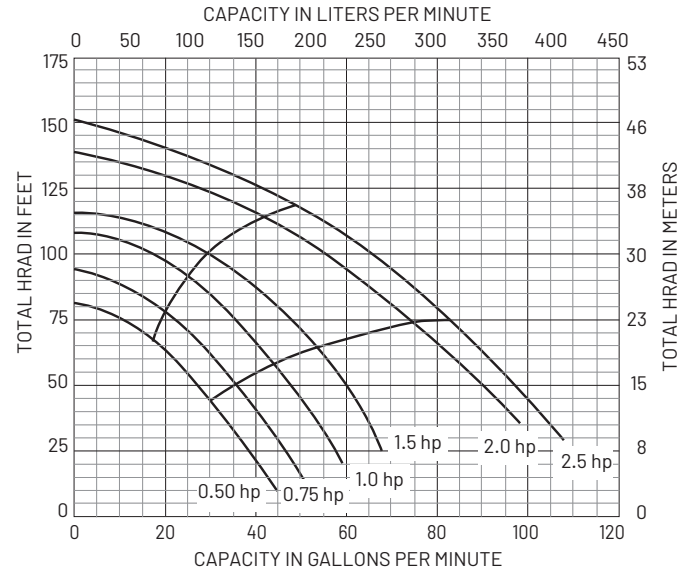
ORDERING INFORMATION

HIGH HEAD									
NORYL® IMPELLER		SILICON BRONZE IMPELLER		HP	PIPE TAPPING SIZES		MOTOR VOLTAGE	PHASE	APPROX. WT. LBS.
MODEL NUMBER	CATALOG NUMBER	MODEL NUMBER	CATALOG NUMBER		SUCT.	DISCH.			
CP1XPHS	S39516	CB1XPHS	S39529	1/2	1-1/4"	1"	115/230	1	39
CP1XPHS	S39517	CB1XPHS	S39530		1-1/4"	1"	208-230/460	3	39
CP1XPHS	S39517-575T	CB1XPHS	S39530-575T		1-1/4"	1"	575	3	40
CP1XPHS	S39518	CB1XPHS	S39531	3/4	1-1/4"	1"	115/230	1	42
CP1XPHS	S39519	CB1XPHS	S39532		1-1/4"	1"	208-230/460	3	42
CP1XPHS	S39519-575T	CB1XPHS	S39532-575T		1-1/4"	1"	575	3	43
CP1XPHS	S39520	CB1XPHS	S39533	1	1-1/4"	1"	115/230	1	45
CP1XPHS	S39521	CB1XPHS	S39534		1-1/4"	1"	208-230/460	3	45
CP1XPHS	S39521-575T	CB1XPHS	S39534-575T		1-1/4"	1"	575	3	46
CP1XPHS	S39522	CB1XPHS	S39535	1-1/2	1-1/4"	1"	115/230	1	49
CP1XPHS	S39523	CB1XPHS	S39536		1-1/4"	1"	208-230/460	3	49
CP1XPHS	S39523-575T	CB1XPHS	S39536-575T		1-1/4"	1"	575	3	50
CP1-1/4TPHS	S39524	CB1-1/4TPHS	S39537	2	1-1/2"	1-1/4"	115/230	1	69
CP1-1/4TPHS	S39525	CB1-1/4TPHS	S39538		1-1/2"	1-1/4"	208-230/460	3	69
CP1-1/4TPHS	S39525-575T	CB1-1/4TPHS	S39538-575T		1-1/2"	1-1/4"	575	3	70
CP1-1/2TPHS	S39526	CB1-1/2TPHS	S39539	2-1/2	2"	1-1/2"	115/230	1	74
CP1-1/2TPHS	S39527	CB1-1/2TPHS	S39540		2"	1-1/2"	208-230/460	3	74
CP1-1/2TPHS	S39527-575T	CB1-1/2TPHS	S39540-575T		2"	1-1/2"	575	3	75
MEDIUM HEAD									
NORYL IMPELLER		SILICON BRONZE IMPELLER		HP	PIPE TAPPING SIZES		MOTOR VOLTAGE	PHASE	APPROX. WT. LBS.
MODEL NUMBER	CATALOG NUMBER	MODEL NUMBER	CATALOG NUMBER		SUCT.	DISCH.			
CP1MPS	S39490	CB1MPS	S39503	1/2	1-1/4"	1"	115/230	1	39
CP1MPS	S39491	CB1MPS	S39504		1-1/4"	1"	208-230/460	3	39
CP1MPS	S39491-575T	CB1MPS	S39504-575T		1-1/4"	1"	575	3	40
CP1MPS	S39492	CB1MPS	S39505	3/4	1-1/4"	1"	115/230	1	42
CP1MPS	S39493	CB1MPS	S39506		1-1/4"	1"	208-230/460	3	42
CP1MPS	S39493-575T	CB1MPS	S39506-575T		1-1/4"	1"	575	3	43
CP1-1/4XPS	S39494	CB1-1/4XPS	S39507	1	1-1/2"	1-1/4"	115/230	1	43
CP1-1/4XPS	S39495	CB1-1/4XPS	S39508		1-1/2"	1-1/4"	208-230/460	3	43
CP1-1/4XPS	S39495-575T	CB1-1/4XPS	S39508-575T		1-1/2"	1-1/4"	575	3	44
CP1-1/4XPS	S39496	CB1-1/4XPS	S39509	1-1/2	1-1/2"	1-1/4"	115/230	1	54
CP1-1/4XPS	S39497	CB1-1/4XPS	S39510		1-1/2"	1-1/4"	208-230/460	3	54
CP1-1/4XPS	S39497-575T	CB1-1/4XPS	S39510-575T		1-1/2"	1-1/4"	575	3	55
CP1-1/4XPS	S39498	CB1-1/4XPS	S39511	2	1-1/2"	1-1/4"	115/230	1	66
CP1-1/4XPS	S39499	CB1-1/4XPS	S39512		1-1/2"	1-1/4"	208-230/460	3	66
CP1-1/4XPS	S39499-575T	CB1-1/4XPS	S39512-575T		1-1/2"	1-1/4"	575	3	67
		CB1-1/2XPS	S39513	2-1/2	2"	1-1/2"	115/230	1	74
		CB1-1/2XPS	S39514		2"	1-1/2"	208-230/460	3	74
		CB1-1/2XPS	S39514-575T		2"	1-1/2"	575	3	75

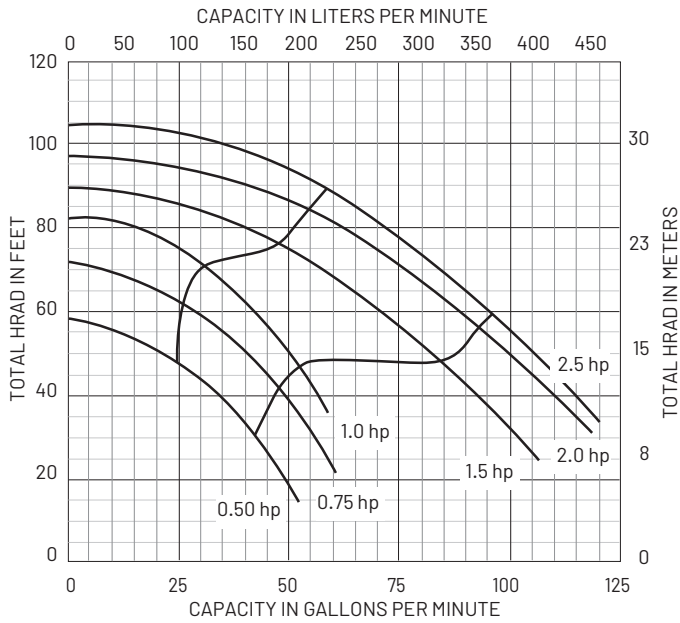
PUMP PERFORMANCE: HIGH HEAD, SILICON BRONZE IMPELLER



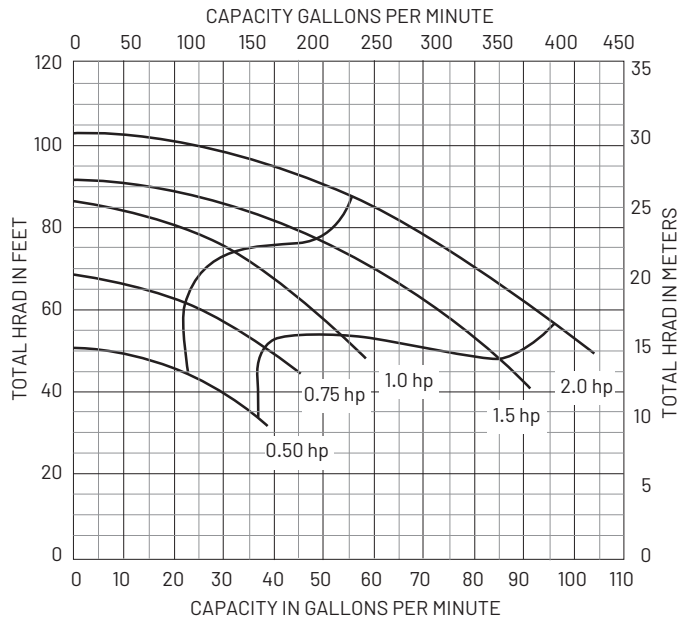
PUMP PERFORMANCE: HIGH HEAD, NORYL® IMPELLER



PUMP PERFORMANCE: MEDIUM HEAD, SILICON BRONZE IMPELLER



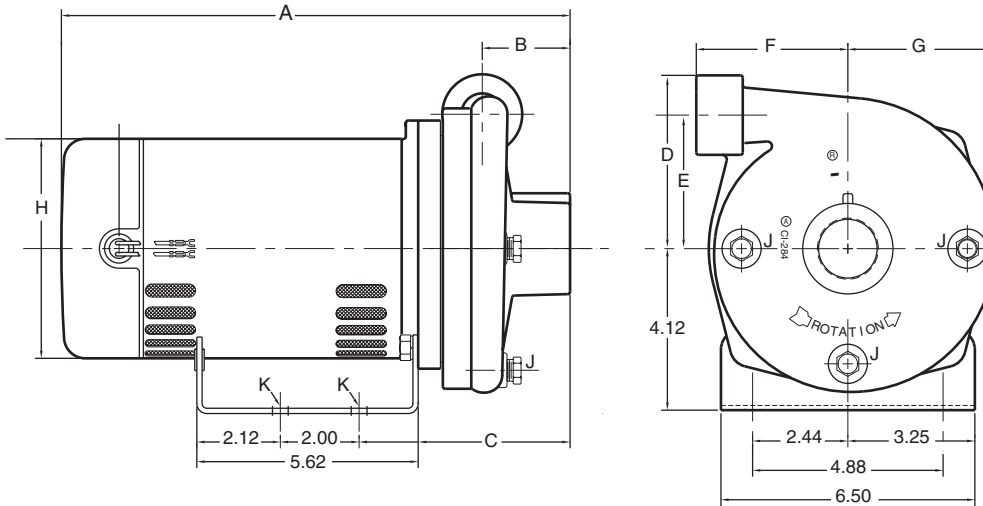
PUMP PERFORMANCE: MEDIUM HEAD, NORYL IMPELLER



Tested and rated in accordance with Water Systems Council Standards.

NOTE: Pumps installed with a Pro-Source® tank require a 100 PSI relief valve. Pumps with a conventional tank require a 75 PSI relief valve. Relief valve must be capable of relieving entire flow of pump at relief pressure.

OUTLINE DIMENSIONS



Dimensions (in inches) are for estimating purposes only.

DIMENSIONS (IN INCHES)

HIGH HEAD

HP	NPT SUCT.	NPT DISCH.	A (1 PHASE)	A (3 PHASE)	B	C	D	E	F	G	H	NPT J	K
1/2	1-1/4	1	11-21/32	13-3/8	2-1/16	5-9/16	4-1/2	3-7/16	3-7/8	3-15/16	5-5/8	1/4	3/8 Dia.
3/4	1-1/4	1	11-25/32	13-3/8	2-1/16	5-9/16	4-1/2	3-7/16	3-7/8	3-15/16	5-5/8	1/4	3/8 Dia.
1	1-1/4	1	12-25/32	13-7/8	2-1/16	5-9/16	4-1/2	3-7/16	3-7/8	3-15/16	5-5/8	1/4	3/8 Dia.
1-1/2	1-1/4	1	13-39/64	14-3/8	2-1/16	5-9/16	4-1/2	3-7/16	3-7/8	3-15/16	5-5/8	1/4	3/8 Dia.
2	1-1/2	1-1/4	16-3/4	16-15/16	2-13/16	6-5/16	4-27/32	3-13/32	4-5/8	4	6-7/16	1/4	3/8 Dia.
2-1/2	2	1-1/2	17-3/4	17-1/4	2-13/16	6-5/16	4-27/32	3-13/32	4-5/8	4	6-7/16	1/4	3/8 Dia.

MEDIUM HEAD

1/2	1-1/4	1	11-7/32	12-15/16	1-7/16	5-1/8	4-7/16	3-1/4	2-1/4	3-1/4	5-5/8	1/4	3/8 Dia.
3/4	1-1/4	1	11-31/32	12-15/16	1-7/16	5-1/8	4-7/16	3-1/4	2-1/4	3-1/4	5-5/8	1/4	3/8 Dia.
1	1-1/2	1-1/4	12-11/32	13-7/16	1-7/16	5-1/8	4-7/16	3-1/4	2-1/4	3-1/4	5-5/8	1/4	3/8 Dia.
1-1/2	1-1/2	1-1/4	13-25/32	14-9/16	2	5-3/4	4-13/16	3-1/2	4-1/4	3-15/16	5-5/8	1/4	3/8 Dia.
2	1-1/2	1-1/4	16-3/16	16-3/8	2	5-3/4	4-13/16	3-1/2	4-1/4	3-15/16	6-7/16	1/4	3/8 Dia.
2-1/2	2	1-1/2	17-3/16	16-11/16	2	5-3/4	4-13/16	3-1/2	4-1/4	3-15/16	6-7/16	1/4	3/8 Dia.