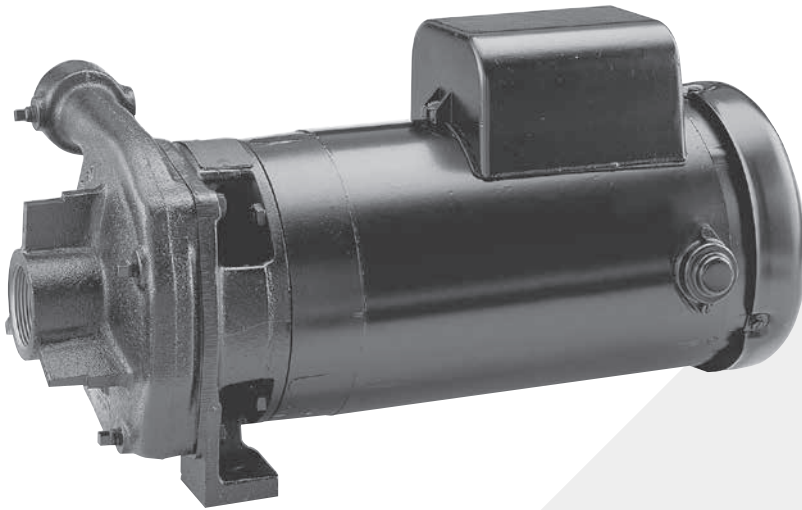


# BERKELEY® Type C Straight Centrifugal



The Type C Pump is a compact, horizontal, single stage, centrifugal pump close-coupled to an electric motor. The removal of readily accessible bolts (back pull-out construction), permits the removal of the pumping element, exposing the impeller and seal for inspection, without disturbing the piping.

## APPLICATIONS

General farm or home irrigation, air conditioning, and refrigeration

## SPECIFICATIONS

**Body and Base** – Gray cast iron  
**Bracket** – Cast iron  
**Impeller** – Silicon bronze  
**Shaft** – Threaded stainless steel

## FEATURES

**Flow Rates** – In excess of 160 U.S. gallons per minute.

**Operating Pressure** – 100 PSI

**Discharge sizes** – 1-1/4" - 2"

**Temperature** – Up to 200 F.

**Volute Case** – Precision machined gray cast iron with NPT tapped openings for suction and discharge. Standard discharge position is horizontal, as pictured. Volute may be rotated for vertical-up discharge.

**Impeller** – Enclosed multi-vane silicon bronze impeller is balanced to eliminate vibration and provide smooth, quiet operation. Impeller is threaded on motor shaft for positive alignment.

**Shaft Seal** – Self-adjusting, water-cooled, mechanical shaft seal prevents leakage and eliminates need for drain piping. Run-in and periodic adjustment is not required.

**Motor Shaft** – Stainless steel shaft is threaded for direct mounting of impeller. A short shaft extension to the impeller increases shaft rigidity and extends bearing life.

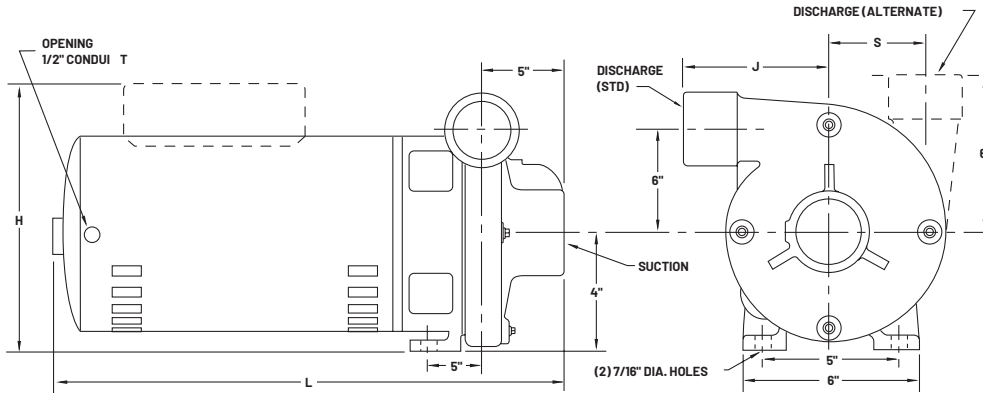
**Motor** – Heavy-duty, 3 HP, flange-mounted motor designed for continuous 3600 RPM operation. Two ball bearings are permanently lubricated, eliminating the need for re-lubrication service. Open, drip-proof enclosures are standard. All models can be furnished with either single-phase (230V) or three-phase (230/460) motors. Totally enclosed fan-cooled motor is available for three-phase power.

## ORDERING INFORMATION

Model Number	HP	Catalog Number	Phase	Volts	Suct.	Disch.	Approx. Wt. Lbs.
C1-1/4TPMS	3	B53602S	1	230	1-1/2"	1-1/4"	65
		B53603S	3	208/230/460			
		B53603SMS2	3	575			
C1-1/2TPMS	3	B59212S	1	230	2"	1-1/2"	61
		B59213S	3	208/230/460			
C2MPS	3	B53616S	1	230	2-1/2"	2"	61
		B53617S	3	208/230/460			
		B53617SMS2	3	575			

# BERKELEY® Type C Straight Centrifugal

## OUTLINE DIMENSIONS

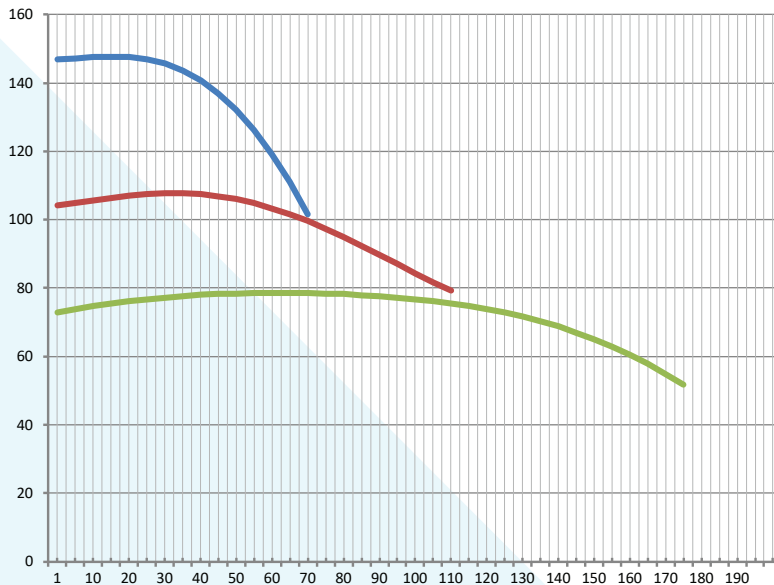


Dimensions (in inches) are for estimating purposes only.

## DIMENSIONAL DATA

Model Number	HP	Suction (NPT)	Discharge Phase	H*	J	K	L*	S	M
C1-1/4TPMS	3	1-1/2	1-1/4	9-1/4	5	2-1/2	16-15/16	3-5/16	1-7/8
C1-1/2TPHS	3	2	1-1/2	8-1/4	5	2-11/16	17-1/4	3-1/2	2
C2MPS	3	2-1/2	2	9-1/4	4-7/8	2-5/16	17-1/4	3-1/16	2-7/16

## PUMP PERFORMANCE



— C1-1/4TPMS  
— C1-1/2TPHS  
— C2MPS

Basic	Imp Dia	PEIcl
C1-1/4TM	5.94	0.70
C1-1/2TH	4.88	0.83
C2M	4.50	0.89

This product as sold in U.S. is regulated by 10 CFR Parts 429 and 431.



US: 293 WRIGHT STREET, DELAVAN, WI 53115 WWW.BERKELEYPUMPS.COM PH: 888-782-7483 ORDERS FAX: 800-426-9446  
CANADA: 490 PINEBUSH ROAD, UNIT 4, CAMBRIDGE, ONTARIO N1T 0A5 PH: 800-363-7867 ORDERS FAX: 888-606-5484  
Because we are continuously improving our products and services, Pentair reserves the right to change specifications without prior notice.