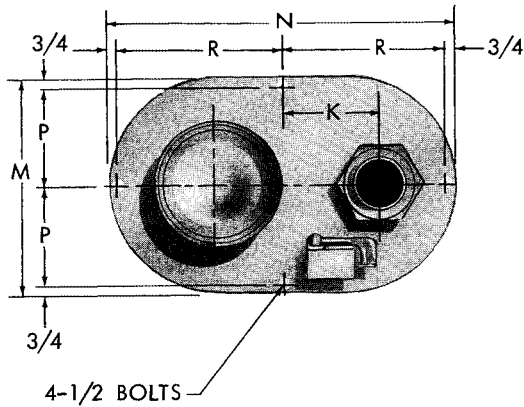
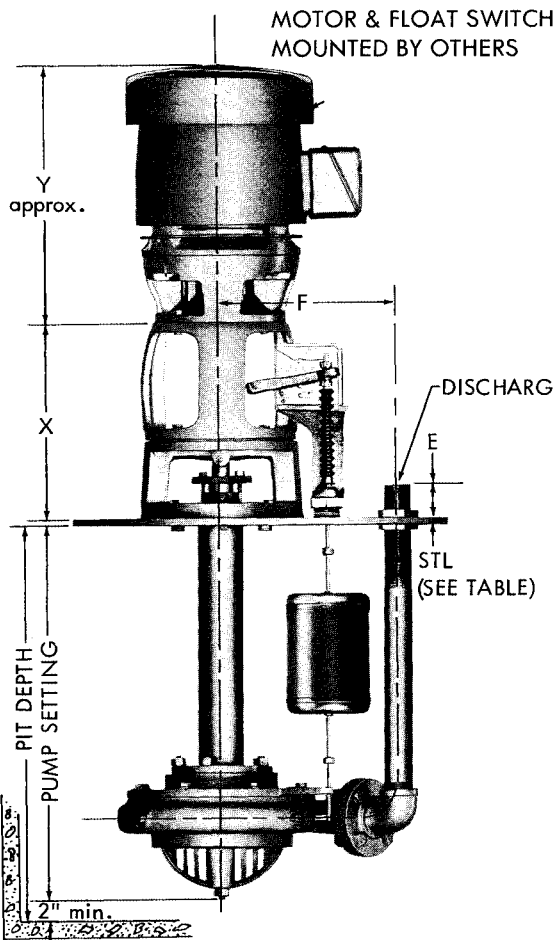


AURORA MODEL 531 PUMP ON OVAL PLATE



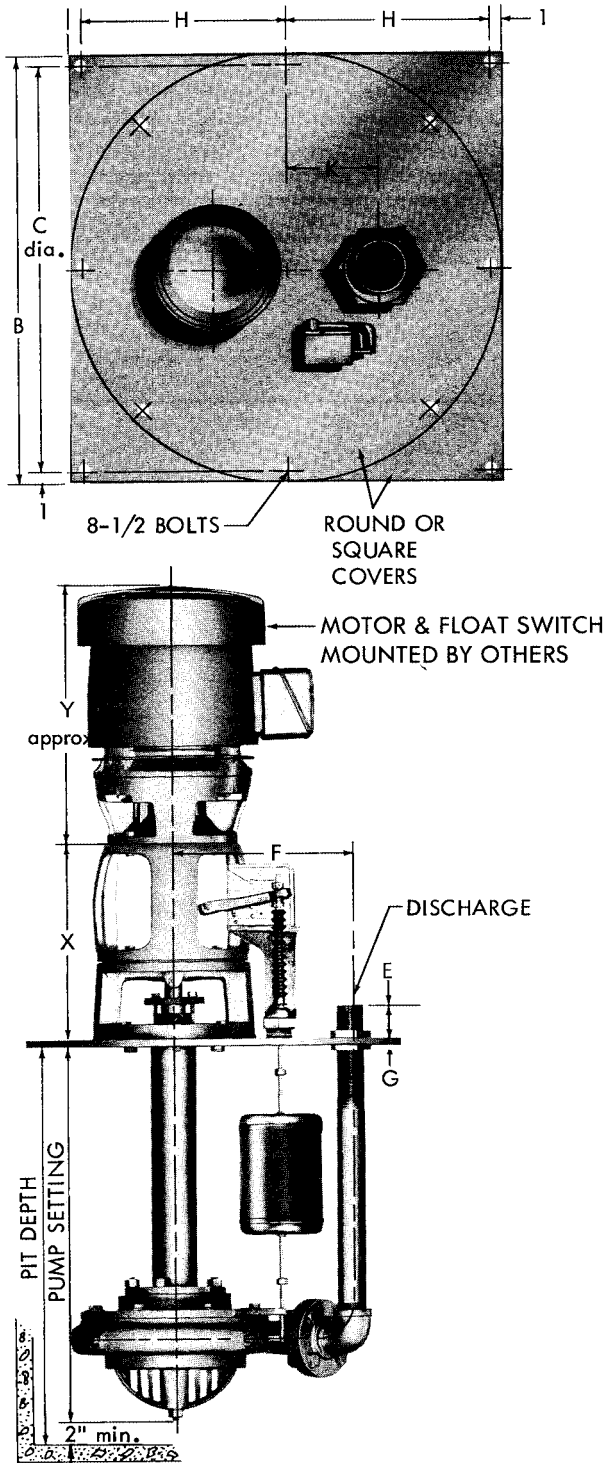
PUMP SIZE			E	F	K	OVAL SIZE	THK. STL.
DISCH	SUCTION	CASE BORE					
1 1/4	1 1/2	7	3 1/2	8 3/16	5 1/16	20 X 24	3/8
1 1/4	1 1/2	9	3 1/2	9 15/16	7 1/16	20 X 24	3/8
1 1/2	2	7	3 7/16	8 1/2	6	20 X 24	3/8
1 1/2	2	9	3 7/16	10 1/4	7 3/4	20 X 24	3/8
1 1/2	2	11	4 1/8	13 1/8	7 3/8	22 X 28	1/2
1 1/2	2	12	3 5/16	12 1/16	9 1/16	22 X 28	1/2
2	2 1/2	7	4 1/16	10 5/16	7 13/16	20 X 24	3/8
2	2 1/2	9	4 1/2	12	9	22 X 28	1/2
2	2 1/2	12	3 13/16	13 1/16	10 11/16	22 X 28	1/2
2	3	11	3 13/16	13 1/4	7 3/4	22 X 28	1/2
2 1/2	3	7	4 3/16	11 1/4	8 1/4	22 X 28	1/2
2 1/2	3	9	4 1/16	12 15/16	9 15/16	22 X 28	1/2
2 1/2	3	12	3 5/16	14 1/2	9	22 X 28	1/2
3	4	9	4 3/16	13 3/16	8 3/16	22 X 28	1/2
3	4	11	4 3/4	15 1/2	10	22 X 28	1/2
3	4	12	4 3/16	15 1/16	9 13/16	22 X 28	1/2
4	4	7	4 3/16	13 3/8	8 1/8	22 X 28	1/2
4	5	9A	4 3/16	14 3/8	8 3/8	22 X 28	1/2
4	5	9B	4 3/16	15 1/4	9 3/4	22 X 28	1/2
4	5	11	4 3/16	16 3/8	11 1/8	26 X 36	1/2
5	6	11	5 7/16	16	10 1/2	26 X 36	1/2
6	6	9	5 1/2	14 1/4	8 3/4	22 X 28	1/2



OVAL	M	N	P	R
20 X 24	20	24	9 1/4	11 1/4
22 X 28	22	28	10 1/4	13 1/4
26 X 36	26	36	12 1/4	17 1/4

FRAME	X	Y
143HP	13 7/8	11
145HP	13 7/8	12
182HP	13 7/8	13
184HP	13 7/8	14
213HP	13 7/8	16
215HP	13 7/8	17
254HP	13 7/8	19
256HP	13 7/8	21
284HPH	15 5/8	21
286HPH	15 5/8	23
324HP	15 5/8	24

- NOTES:
1. ALL DIMENSIONS IN INCHES.
 2. DIMENSIONS MAY VARY ±3/8.
 3. NOT FOR CONSTRUCTION PURPOSES UNLESS CERTIFIED.
 4. FLOAT SWITCH FURNISHED ONLY WHEN SPECIFIED.
 5. LINE SHAFT BEARING FURNISHED ON 6' 2" PUMP SETTINGS AND LONGER.
 6. 22 X 28 OVALS ARE ALSO AVAILABLE WHERE 20 X 24 OVALS ARE SHOWN.



PUMP SIZE			E	F	K	MIN. COVER SIZE
DISCH	SUCTION	CASE BORE				
1 1/4	1 1/2	7	3 1/2	8 3/16	5 11/16	24
1 1/4	1 1/2	9	3 1/2	9 5/16	7 1/16	24
1 1/2	2	7	3 7/16	8 1/2	6	24
1 1/2	2	9	3 7/16	10 1/4	7 3/4	24
1 1/2	2	11	4 1/8	13 1/8	10 5/8	30
1 1/2	2	12	3 7/16	12 1/16	9 9/16	26
2	2 1/2	7	4 1/16	10 5/16	7 13/16	26
2	2 1/2	9	4 1/2	12	9 1/2	26
2	3	11	3 15/16	13 1/4	10 3/4	30
2	2 1/2	12	3 13/16	13 11/16	11 3/16	30
2 1/2	3	7	4 3/16	11 1/4	8 3/4	26
2 1/2	3	9	4 1/16	12 15/16	10 7/16	28
2 1/2	3	12	3 15/16	14 1/2	12	32
3	4	9	4 5/16	13 13/16	11 5/16	32
3	4	12	4 3/16	15 3/16	10 3/4	32

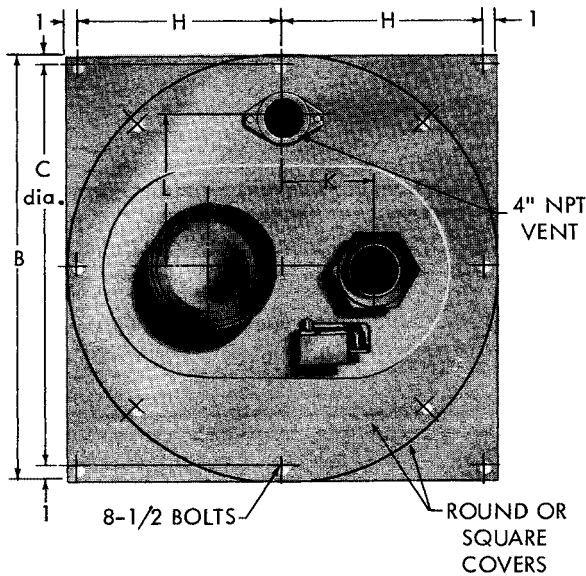
MAXIMUM PLATE DIAMETER AVAILABLE WITHOUT OVAL IS 32".

COVER SIZE B	C	H	G
			STEEL
24	22	11	3/8
26	24	12	3/8
28	26	13	3/8
30	28	14	3/8
32	30	15	3/8

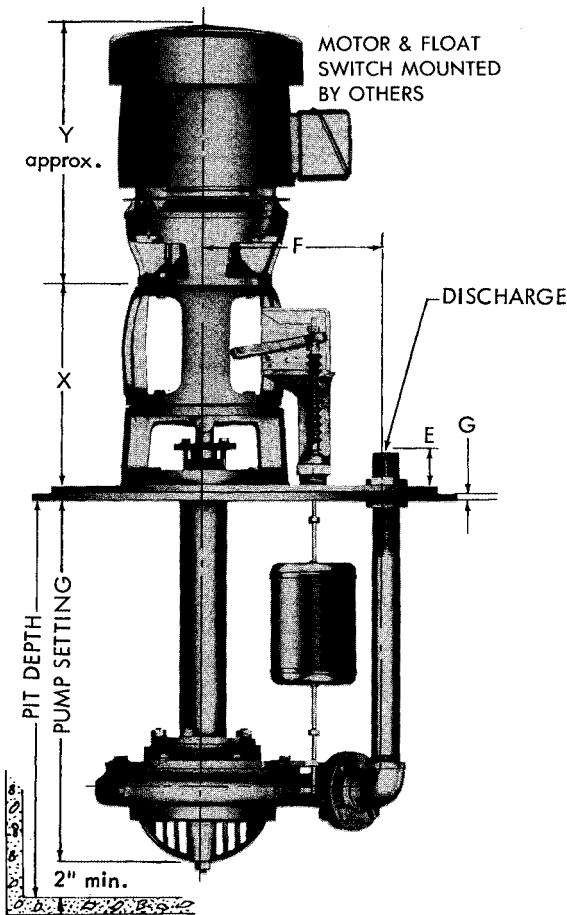
FRAME	X	Y
143HP	13 7/8	11
145HP	13 7/8	12
182HP	13 7/8	13
184HP	13 7/8	14
213HP	13 7/8	16
215HP	13 7/8	17
254HP	13 7/8	19
256HP	13 7/8	21
284HPH	15 5/8	21
286HPH	15 5/8	23
324HP	15 5/8	24

- NOTES: 1. ALL DIMENSIONS IN INCHES.
 2. DIMENSIONS MAY VARY ±3/8.
 3. NOT FOR CONSTRUCTION PURPOSES UNLESS CERTIFIED.
 4. FLOAT SWITCH FURNISHED ONLY WHEN SPECIFIED.
 5. LINE SHAFT BEARING FURNISHED ON 6' 2" PUMP SETTINGS AND LONGER.

AURORA MODEL 531 PUMP ON SIMPLEX PLATE WITH OVAL



PUMP SIZE			E	F	K	MIN. COVER SIZE	OVAL SIZE
DISCH	SUCTION	CASE BORE					
1 1/4	1 1/2	7	3 1/2	8 3/16	5 11/16	34	H
1 1/4	1 1/2	9	3 1/2	9 15/16	7 1/16	34	H
1 1/2	2	7	3 3/16	8 1/2	6	34	H
1 1/2	2	9	3 3/16	10 1/4	7 3/4	34	H
1 1/2	2	11	4 1/8	13 1/8	7 3/8	36	J
1 1/2	2	12	3 5/16	12 1/16	9 1/16	36	J
2	2 1/2	7	4 1/16	10 5/16	7 13/16	34	H
2	2 1/2	9	4 1/2	12	9	36	J
2	2 1/2	12	3 13/16	13 11/16	10 11/16	36	J
2	3	11	3 5/16	13 1/4	7 3/4	36	J
2 1/2	3	7	4 3/16	11 1/4	8 1/4	36	J
2 1/2	3	9	4 1/16	12 15/16	9 15/16	36	J
2 1/2	3	12	3 5/16	14 1/2	9	36	J
3	4	9	4 5/16	13 13/16	8 5/16	36	J
3	4	11	4 1/4	15 1/2	10	36	J
3	4	12	4 3/16	15 5/16	9 13/16	36	J
4	4	7	4 1/16	13 3/8	8 1/8	36	J
4	5	9A	4 1/16	14 3/8	8 1/8	36	J
4	5	9B	4 1/16	15 1/4	9 3/4	36	J
4	5	11	4 3/16	16 3/8	11 1/8	46	M
5	6	11	5 1/16	16	10 1/2	46	M
6	6	9	5 1/8	14 1/4	8 3/4	36	J



OVAL SIZE	
20 X 24	H
22 X 28	J
26 X 36	M

COVER SIZE B	C	H	G	
			STEEL	L
34	32	16	3/8	12 3/4
36	34	17	3/8	13 3/4
40	38	19	3/8	14 1/2
46	44	22	1/2	16
53	51	25 1/2	1/2	17 3/4
60	58	29	3/8	19 1/2
66	64	32	3/8	21
78	76	38	3/8	24

FRAME	X	Y
143HP	13 7/8	11
145HP	13 7/8	12
182HP	13 7/8	13
184HP	13 7/8	14
213HP	13 7/8	16
215HP	13 7/8	17
254HP	13 7/8	19
256HP	13 7/8	21
284HPH	15 5/8	21
286HPH	15 5/8	23
324HP	15 5/8	24
326HP	15 5/8	25
364HP	15 5/8	29
365HP	15 5/8	30

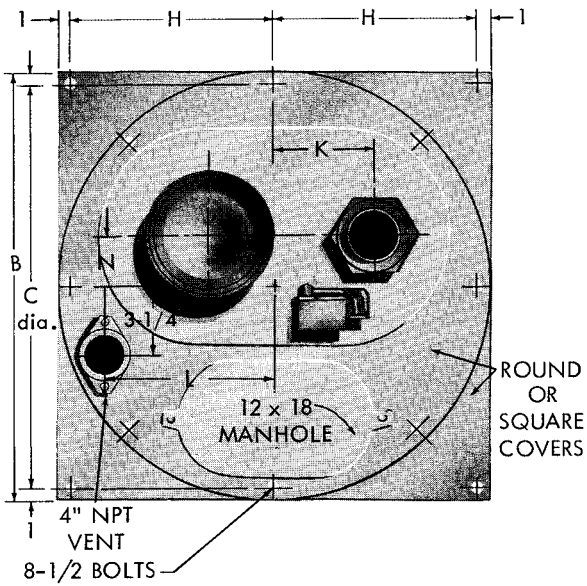
- NOTES: 1. ALL DIMENSIONS IN INCHES.
 2. DIMENSIONS MAY VARY $\pm 3/8"$.
 3. NOT FOR CONSTRUCTION PURPOSES UNLESS CERTIFIED.
 4. FLOAT SWITCH FURNISHED ONLY WHEN SPECIFIED.
 5. LINE SHAFT BEARING FURNISHED ON 6' 2" PUMP SETTINGS AND LONGER.

AURORA MODEL 531 PUMP

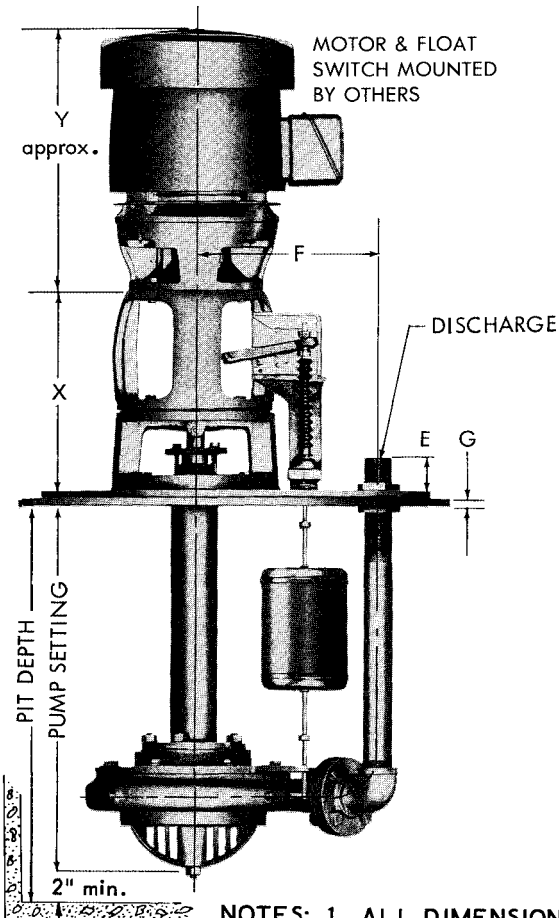
DATED MAY 1996

ON SIMPLEX PLATE WITH OVAL AND MANHOLE

SUPERSEDES PAGE 254
DATED OCTOBER 1992



PUMP SIZE			E	F	K	N	MIN. COVER SIZE	OVAL SIZE
DISCH	SUCTION	CASE BORE						
1 1/4	1 1/2	7	3 1/2	8 3/16	5 11/16	7	40	H
1 1/4	1 1/2	9	3 1/2	9 15/16	7 1/16	7	40	H
1 1/2	2	7	3 1/16	8 1/2	6	7	40	H
1 1/2	2	9	3 1/16	10 1/4	7 3/4	7	40	H
1 1/2	2	11	4 1/8	13 3/8	7 5/8	7	42	J
1 1/2	2	12	3 3/16	12 1/16	9 1/16	7	42	J
2	2 1/2	7	4 1/16	10 5/16	7 13/16	7	40	H
2	2 1/2	9	4 1/2	12	9	7	42	J
2	2 1/2	12	3 13/16	13 11/16	10 11/16	7	42	J
2	3	11	3 5/16	13 1/4	7 3/4	7	42	J
2 1/2	3	7	4 3/16	11 1/4	8 1/4	7	42	J
2 1/2	3	9	4 1/16	12 5/16	9 15/16	7	42	J
2 1/2	3	12	3 5/16	14 1/2	9	7	42	J
3	4	9	4 3/16	13 13/16	8 5/16	7	42	J
3	4	11	4 1/4	15 1/2	10	7	42	J
3	4	12	4 3/16	15 5/16	9 13/16	7	42	J
4	4	7	4 3/16	13 3/8	8 1/8	7	42	J
4	5	9A	4 3/16	14 3/8	8 1/2	7	42	J
4	5	9B	4 3/16	15 1/4	9 3/4	7	42	J
4	5	11	4 3/16	16 3/8	11 1/8	6 1/2	46	M
5	6	11	5 1/16	16	10 1/2	6 1/2	46	M
6	6	9	5 1/8	14 1/4	8 3/4	7	42	J



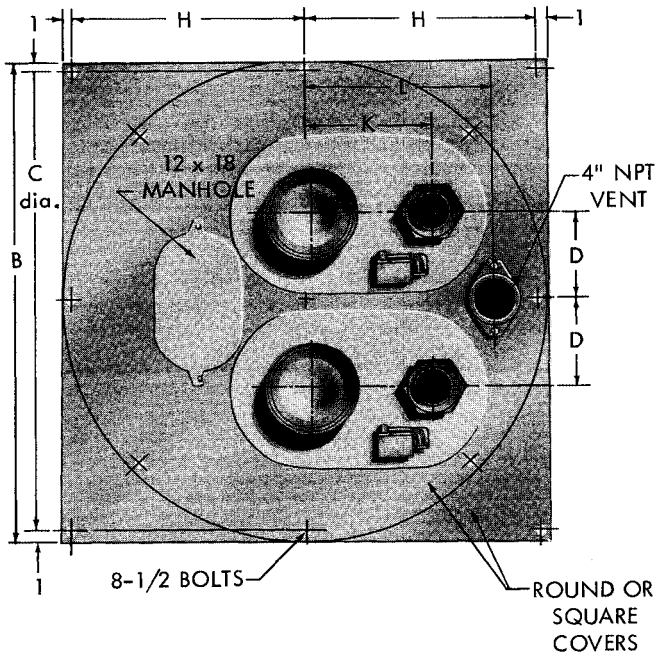
OVAL SIZE	
20 X 24	H
22 X 28	J
26 X 36	M

COVER SIZE B	C	H	G	
			STEEL	L
40	38	19	3/8	14 1/2
42	40	20	1/2	16
46	44	22	1/2	17
53	51	25 1/2	1/2	18 3/4
60	58	29	5/8	20 1/2
66	64	32	5/8	22
78	76	38	5/8	25

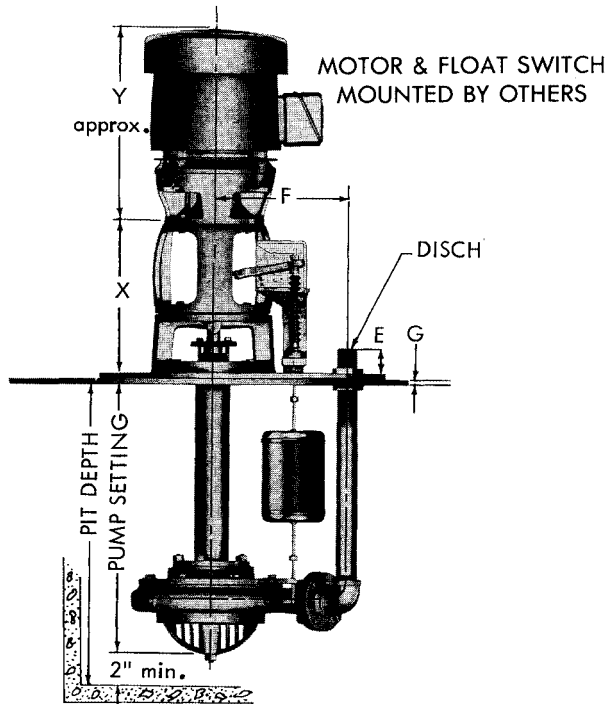
FRAME	X	Y
143HP	13 7/8	11
145HP	13 7/8	12
182HP	13 7/8	13
184HP	13 7/8	14
213HP	13 7/8	16
215HP	13 7/8	17
254HP	13 7/8	19
256HP	13 7/8	21
284HPH	15 5/8	21
286HPH	15 5/8	23
324HP	15 5/8	24
326HP	15 5/8	25
364HP	15 5/8	29
365HP	15 5/8	30

- NOTES: 1. ALL DIMENSIONS IN INCHES.
2. DIMENSIONS MAY VARY ± 3/8".
3. NOT FOR CONSTRUCTION PURPOSES UNLESS CERTIFIED.
4. FLOAT SWITCH FURNISHED ONLY WHEN SPECIFIED.
5. LINE SHAFT BEARING FURNISHED ON 6' 2" PUMP SETTINGS AND LONGER.

AURORA MODEL 532 PUMP ON DUPLEX PLATE WITH TWO OVALS AND MANHOLE



PUMP SIZE			E	F	K	MIN. COVER SIZE	OVAL SIZE
DISCH	SUCTION	CASE BORE					
1 1/4	1 1/2	7	3 1/2	8 3/16	8 11/16	46	H
1 1/4	1 1/2	9	3 1/2	9 15/16	10 7/16	46	H
1 1/2	2	7	3 1/16	8 1/2	9	46	H
1 1/2	2	9	3 1/16	10 1/4	10 3/4	46	H
1 1/2	2	11	4 1/8	13 3/8	10 3/8	53	J
1 1/2	2	12	3 3/16	12 1/16	11 3/16	53	J
2	2 1/2	7	4 1/16	10 5/16	10 13/16	46	H
2	2 1/2	9	4 1/2	12	11 1/2	53	J
2	2 1/2	12	3 13/16	13 11/16	13 3/16	53	J
2	3	11	3 15/16	13 1/4	10 1/4	53	J
2 1/2	3	7	4 3/16	11 1/4	10 3/4	53	J
2 1/2	3	9	4 1/16	12 15/16	12 1/16	53	J
2 1/2	3	12	3 15/16	14 1/2	11 1/2	53	J
3	4	9	4 3/16	13 13/16	10 13/16	53	J
3	4	11	4 1/4	15 1/2	12 1/2	53	J
3	4	12	4 3/16	15 5/16	12 3/16	53	J
4	4	7	4 3/16	13 3/8	10 3/8	53	J
4	5	9A	4 3/16	14 3/8	11 3/8	53	J
4	5	9B	4 3/16	15 1/4	12 1/4	53	J
4	5	11	4 3/16	16 3/8	11 3/8	64	M
5	6	11	5 1/16	16	10 1/2	64	M
6	6	9	5 1/8	14 1/4	11 1/4	53	J



COVER SIZE	OVAL SIZE	D	
46	20 X 24	H	10 1/2
53	22 X 28	J	11 1/2
64	26 X 36	M	15

COVER SIZE	B	C	H	G	
				STEEL	L
46	44	22	1/2	17	
53	51	25 1/2	3/8	19	
60	58	29	5/8	19	
64	62	31	3/8	19	
66	64	32	3/4	19	
78	76	38	3/4	19	

FRAME	X	Y
143HP	13 7/8	11
145HP	13 7/8	12
182HP	13 7/8	13
184HP	13 7/8	14
213HP	13 7/8	16
215HP	13 7/8	17
254HP	13 7/8	19
256HP	13 7/8	21
284HPH	15 5/8	21
286HPH	15 5/8	23
324HP	15 5/8	24
326HP	15 5/8	25
364HP	15 5/8	29
365HP	15 5/8	30

- NOTES:
1. All dimensions in inches.
 2. Dimensions may vary $\pm 3/8$ "
 3. Not for construction purposes unless certified.
 4. Float switch furnished only when specified.
 5. Line shaft bearing furnished on 6'2" pump settings and longer.